

Glass ceramic cooktop

Width 36" (90 cm)

CK 590-615

Stainless steel frame

220-240V / 60Hz

CK 590-615

- Form follows function. All cooking zones optimally accessible next to one another.

- Four cooking zones including warming area. Dosed output from 750-2200 W.

- Roaster zone can be added. Even supply of heat for rectangular pots and pans.

One Super Quick cooking zone
 \varnothing 7 1/16" (1800 W).

One Super Quick cooking zone
 \varnothing 4 3/4" (750 W) converts to
 \varnothing 8 1/4" (2200 W).

Two Super Quick cooking zones
 \varnothing 5 11/16" (1100 W) convert to
 $5\ 11/16"$ x $9\ 7/16"$ (2000 W).

Two warming areas up to 194°F
 (2 x 150 W).

Stainless steel frame.

Automatic quick boil facility for one cooking zone.

Individual residual heat display.

Vacation lock.

Planning notes:

Clamping range: 1 3/16" - 2".

Cooktop cannot be used with downdraft ventilation or used in the same cut-out with 200 or 400 Vario Series units.

A minimum of 1 1/2" counter space must be left between the cooktop and other units.

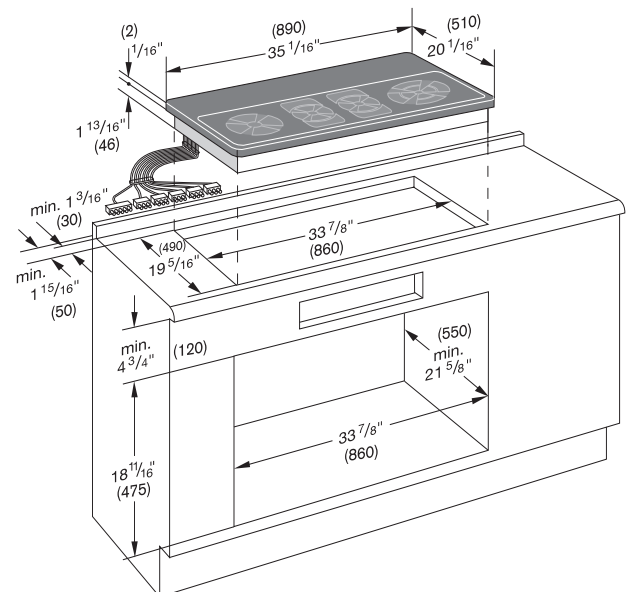
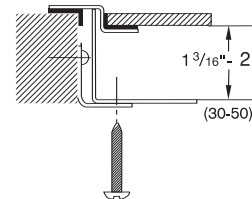
Must be combined with control panel SP 395-605.

May be built over EB 388 oven with 1/2" minimum distance.

Total rating: 8.3 kW

Total Amps: 35

clamping range



Numbers indicated inside parenthesis () = mm