

Glass ceramic cooktop with touch control panel in the cooking zone arrangement
Width 27" (70 cm)

CK 171-614

Stainless steel frame

220-240V / 60Hz

CK 171-614

High user benefits thanks to large distances between pots and pans and sensor electronics.

– Four cooking zones including combination. Output up to 2200 W.

– Roaster zone can be added. Even supply of heat for rectangular pots and pans.

One Super Quick cooking zone Ø 5 3/4" (1200 W).

One Super Quick cooking zone Ø 7 1/16" (1800 W).

One Super Quick cooking zone Ø 4 3/4" (750 W) converts to 8 1/4" (2200 W).

One Super Quick cooking zone Ø 5 3/4" (1100 W), converts to 5 3/4" x 9 1/2" (2000 W).

Flat stainless steel frame.

Integrated touch control panel.

Digital display of all cooking zones.

Sensor keys.

Nine temperature levels.

Automatic cooking timer and automatic quick-boil facility for all cooking zones.

Central switch-off device.

Child lock.

Individual residual heat indication.

Alarm clock.

Cooking zone markings.

Vacation lock.

4' 2/3" Power cable (hardware required).

An oven can be installed under the cooktop.

Use the included sealing tape only.

For installation into natural or synthetic material, please use Thermostat sealing tape (part no.: 322793).

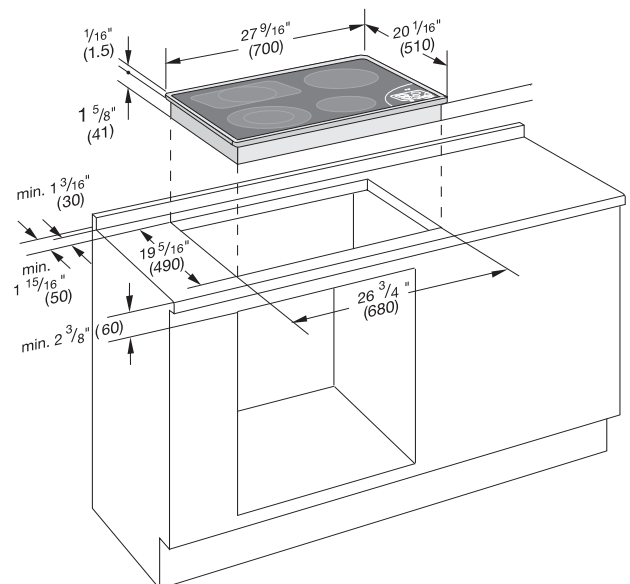
Allow 3/8" distance to side wall and intermediate shelf.

Clamping range: 1 9/16"-2" cooktop fittings.

Total rating: 7.2 kW

Total Amps: 30

Planning notes:



Numbers indicated inside parenthesis () = mm