

Frigidaire

Factory Parts Catalog

Product No.	GLGF386DQA	GLGF386DSA
Series	30" f/s gas	30" f/s gas
Color	bisque	white
Market	North America	North America
Wiring Diagram	316417808	316417808
Owner's Guide	316417102	316417102
Installation Instructions	316259336	316259336
Service Data Sheet	316417603	316417603

 **Electrolux**

ELECTROLUX HOME PRODUCTS, INC.
P.O. Box 212378, Augusta, GA 30917

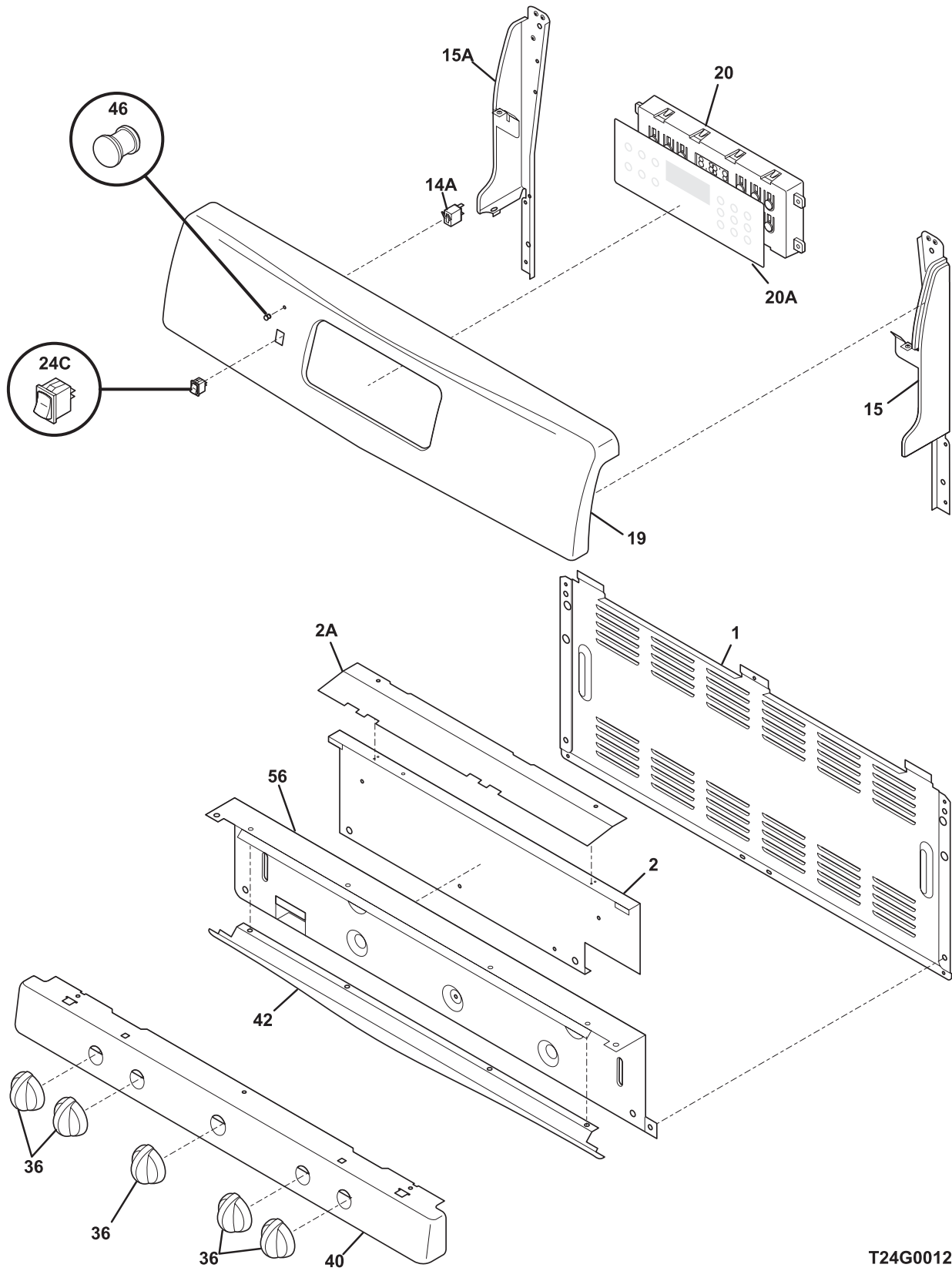
Publication No.
5995420212
04/10/28
(EN/SERVICE/ECL)
369

**30-INCH FREE-
STANDING GAS
RANGE**

Model No.
GLGF386D

Copyright © 2004 Electrolux Home Products, Inc.
All rights reserved.

BACKGUARD



T24G0012

BACKGUARD

Model Index: A GLGF386D (GLGF386DSA)
B GLGF386D (GLGF386DQA)

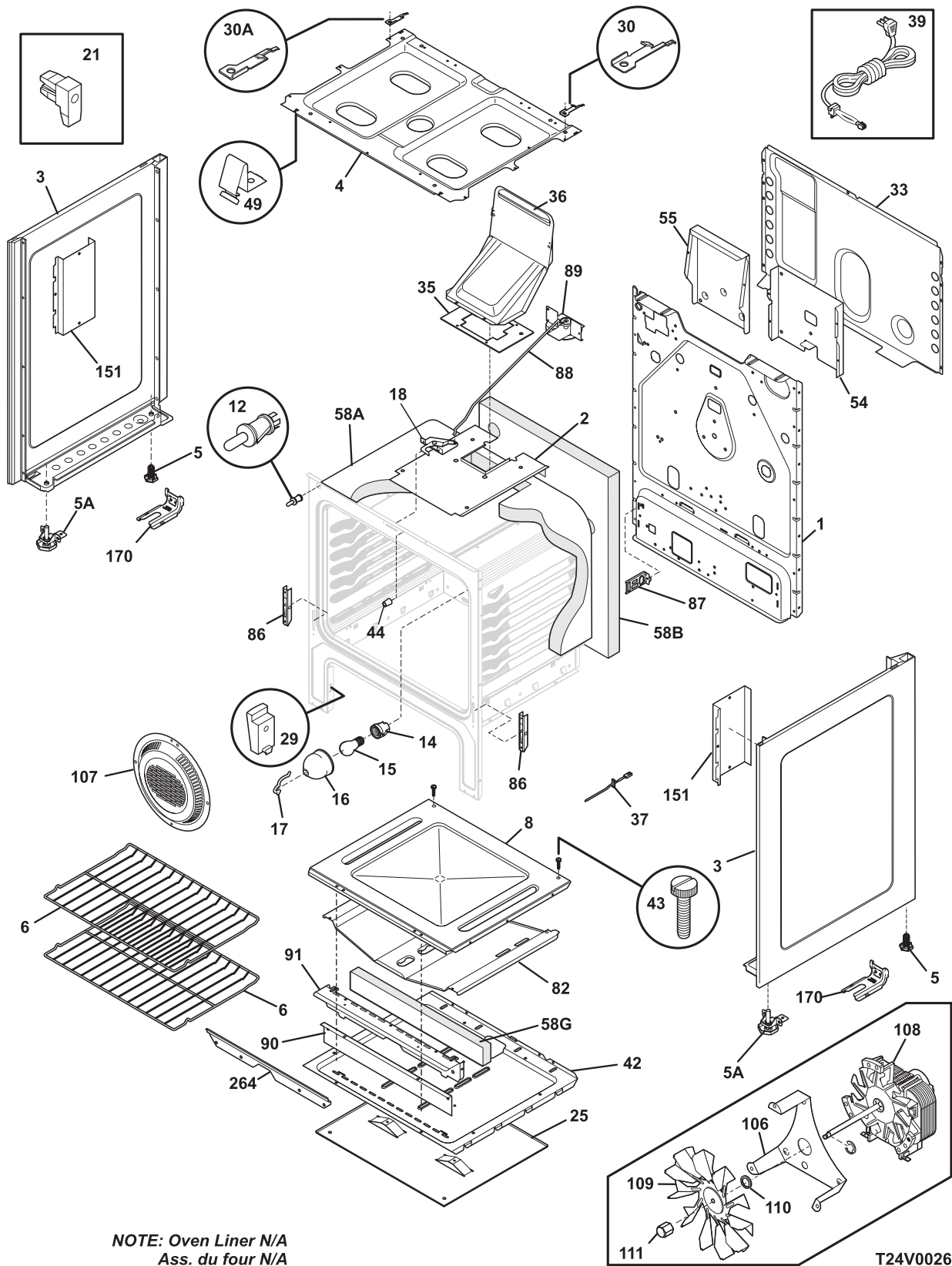
POS. NO	PART NO.		DESCRIPTION
1	316416100	A B	Shield, backguard, rear wall
2	316051600	A B	Shield, backguard, inner
2A	316235100	A B	Shield, top, inner
14	316022500	A B	Light/Lamp, indicator, 125 V
15	316411403	A -	Support, backguard, white, RH
15	316411407	- B	Support, backguard, bisque, RH
15A	316411402	A -	Support, backguard, white, LH
15A	316411406	- B	Support, backguard, bisque, LH
19	316424126	A -	Panel, control, white
19	316424127	- B	Panel, control, bisque
20 #	316418306	A B	Clock/Timer, electronic, ES340
20A	316419304	A -	Overlay, clock, white, ES340
20A	316419305	- B	Overlay, clock, bisque, ES340
24C#	316114000	A -	Switch, speed bake, white
24C#	316114004	- B	Switch, convection, bisque
36	316220000	A -	Knob, top valve, white, (4)
36	316220003	- B	Knob, top valve, bisque, (4)
40	316204976	A -	Panel, manifold, white
40	316204975	- B	Panel, manifold, bisque
42	316416201	A -	Trim, extrusion, gray
42	316416202	- B	Trim, extrusion, tan
46	316040201	A B	Lens, indicator light, red
56	316230701	A B	Shield, backguard, inner
*	316021105	A B	Screw, hex head cup pt, 8-18 x 0.375, black
*	316021108	A B	Screw, cup pt, 8-18 x 0.375, chrome
*	316021109	A B	Screw, 8-18 x 0.5, chrome
*	316021110	A B	Screw, 8-18 x 0.5, black

BURNER

Model Index: A GLGF386D (GLGF386DSA)
B GLGF386D (GLGF386DQA)

POS. NO	PART NO.		DESCRIPTION
1 #	316219501	A B	Pipe, manifold
2 #	5303935233	A B	Valve, 17K burner, w/mtg screw
2A #	5303935235	A B	Valve, 5K burner, w/mtg screw
2B #	5303935232	A B	Valve, 9.5k/12k burner, w/mtg screw
2C #	5303935234	A B	Valve, 9.5K burner, w/mtg screw
*	316215600	A B	Screw, valve mtg., 1/4 - 20
3 #	316219006	A B	Wiring Harness, w/igntr switch
8	318079001	A B	Module, spark
10 #	316223300	A B	Burner, sealed, 17K
10A#	316206400	A B	Burner, sealed, 5K
10B#	316212300	A B	Burner, sealed, 12K
10C#	316212400	A B	Burner, sealed, 9.5K
11 #	316430500	A B	Ignitor/orifice assy., top burner, right front, 16K, w/holder, tube
11A#	316430800	A B	Ignitor/orifice assy., top burner, right rear, 5K, w/holder, tube
11B#	316430401	A B	Ignitor/orifice assy., top burner, left rear, 12K, w/holder, tube
11C#	316430600	A B	Ignitor/orifice assy., top burner, left front, 9.5K, w/holder, tube
11D#	316430700	A B	Ignitor/orifice assy., top burner, center, 9.5K, w/holder, tube
13 #	316405300	A B	Tube, 3/8, aluminum, rgltr to manf, with fittings
14 #	316091706	A B	Regulator, pressure
14*	316021104	A B	Screw, hex, 8-18 x 3/8, nick, (3), regulator brkt
15	316091600	A B	Bracket, regulator
16 #	316405500	A B	Tube, valve to regul., 3/8
17 #	316404900	A B	Valve, safety
17*	08068018	A B	Shield, wire, safety valve
18 #	316404400	A B	Burner, oven
19 #	316428500	A B	Ignitor, oven burner
20	316401401	A B	Baffle, oven burner
21	5303013272	A B	Nut, hex head sems
22 #	316405400	A B	Tube, valve to mixer
23 #	316404300	A B	Burner, broiler
24 #	316409700	A B	Elbow, mixer
25	316401301	A B	Baffle, broil burner
26 #	316428600	A B	Ignitor, burner
26*	316401500	A B	Cover, broil Ignitor
37	316240600	A B	Screw, assy mtg, ignitor/orifice
44	316237912	A B	Orifice, top burner, 16K
44A	316237903	A B	Orifice, top burner, 5K
44B	316237901	A B	Orifice, top burner, 12K
44C	316237902	A B	Orifice, top burner, 9.5K
47	GRLP2	A B	LP Conversion Kit, w/instructions
47*	316248105	A B	Instructions, LP kit
* #	316253702	A B	Wiring Harness, ignitor module
*	316064103	A B	Wire, ground assembly
*	316001003	A B	Screw, ground wire
*	5303271648	A B	Screw, wafer hd sq dr, 8-18AB x 0.5

BODY

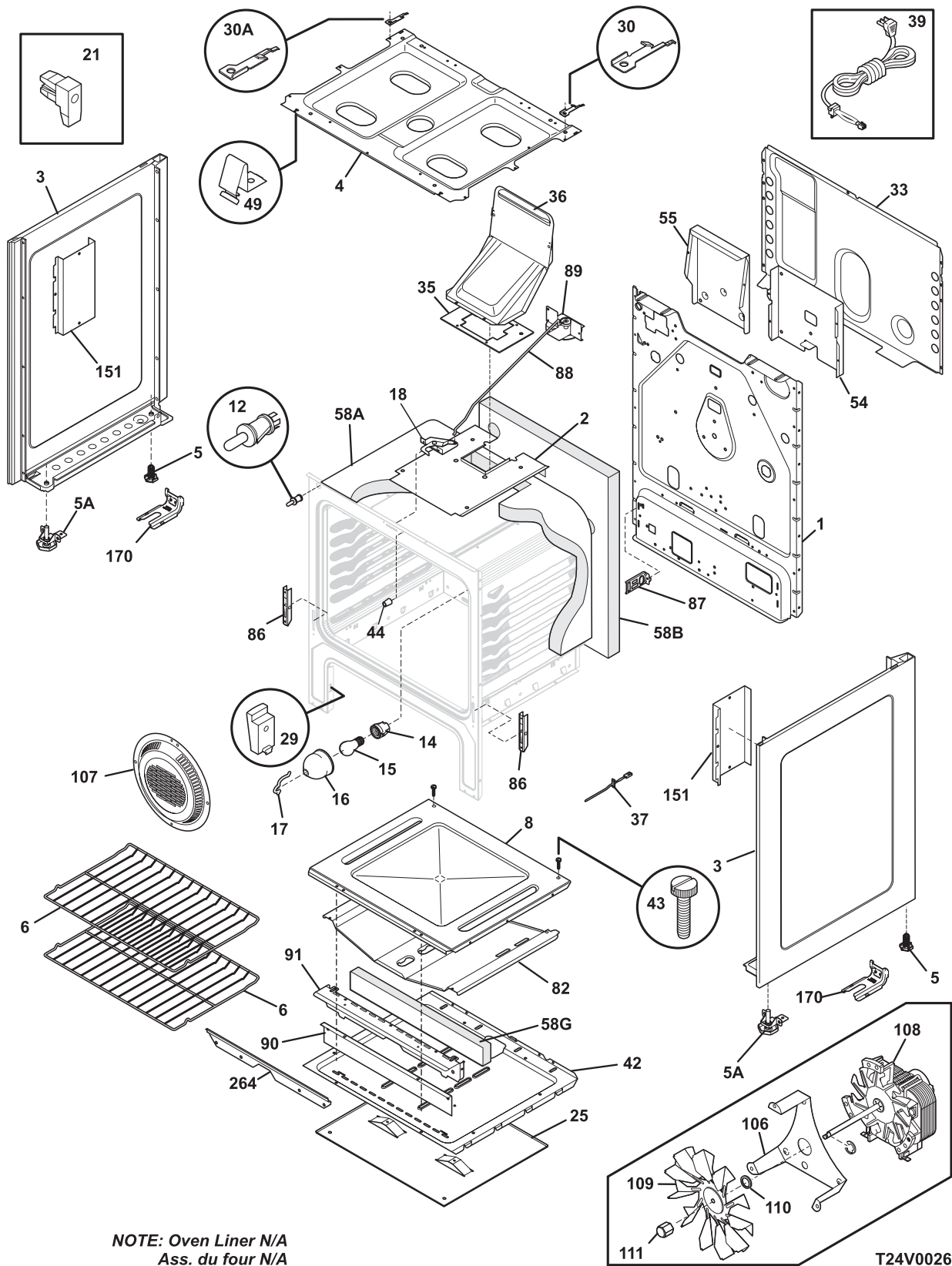


BODY

Model Index: A GLGF386D (GLGF386DSA)
B GLGF386D (GLGF386DQA)

POS. NO	PART NO.		DESCRIPTION
1	316401601	A B	Back, main
2	316402201	A B	Shield, oven top
2*	316437100	A B	Brace, oven top
3	316400102	A -	Panel, bodyside, white, RH
3	316400103	A -	Panel, bodyside, white, LH
3	316400106	- B	Panel, bodyside, bisque, RH
3	316400107	- B	Panel, bodyside, bisque, LH
4	316201403	A B	Burner Box
5	316272900	A B	Screw, leveling, plastic, rear, (2)
5A	316407200	A B	Leveling Leg Assy, metal, front, (2), bracket & leg
6	316404500	A B	Rack, oven
8	316400603	A B	Panel, oven bottom
12 #	316407100	A B	Switch, oven light/door
14	316116400	A B	Receptacle, oven light
15	5303013071	A B	Bulb/Lamp, oven light
16	08011086	A B	Lens, oven light, glass
17	316087500	A B	Retainer, lens
18 #	316405800	A B	Latch Assembly, oven door
21	316408000	A B	Clip, bodyside
25	316406200	A B	Shield, heat, lower
29	316407301	A B	Glide, drawer, front
30	316217700	A B	Bracket, hinge, RH, main top
30A	316217701	A B	Bracket, hinge, LH, main top
33	316402500	A B	Shield, rear wall
35	316116600	A B	Gasket, flue
36	316208901	A B	Flue
37 #	316217001	A B	Probe, oven temp
39	3202006	A B	Cord, electric power
42	316400703	A B	Shield, wool, lower
43	3131732	A B	Screw, 8-18 x 1.438, oven bottom
44	316246501	A B	Spacer, oven door
49	316234200	A B	Clip, maintop mtg, (2)
54	316404200	A B	Shield, heat
55	316404800	A B	Shield, flue
58A	316403700	A B	Insulation, oven wrapper
58B	316403600	A B	Insulation, oven back
58G	08067973	A B	Insulation, main front
82	316400801	A B	Shield, bake burner
82*	316432800	A B	Clip, wire
86	316407000	A B	Receptacle, hinge
86*	316418901	A B	Screw, trilobe, 10-32 x 5/16"
87	316401200	A B	Bracket, harness
88	316232700	A B	Rod, auto latch
89 #	316415400	A B	Motor, latch/lock
90	316401100	A B	Shield, main front
91	316401000	A B	Shield, front, burner
106	316404100	A B	Bracket, motor mtg.
107	316026701	A B	Cover, fan
108#	316415700	A B	Motor, convection

BODY



**NOTE: Oven Liner N/A
Ass. du four N/A**

T24V0026

BODY

Model Index: A GLGF386D (GLGF386DSA)
 B GLGF386D (GLGF386DQA)

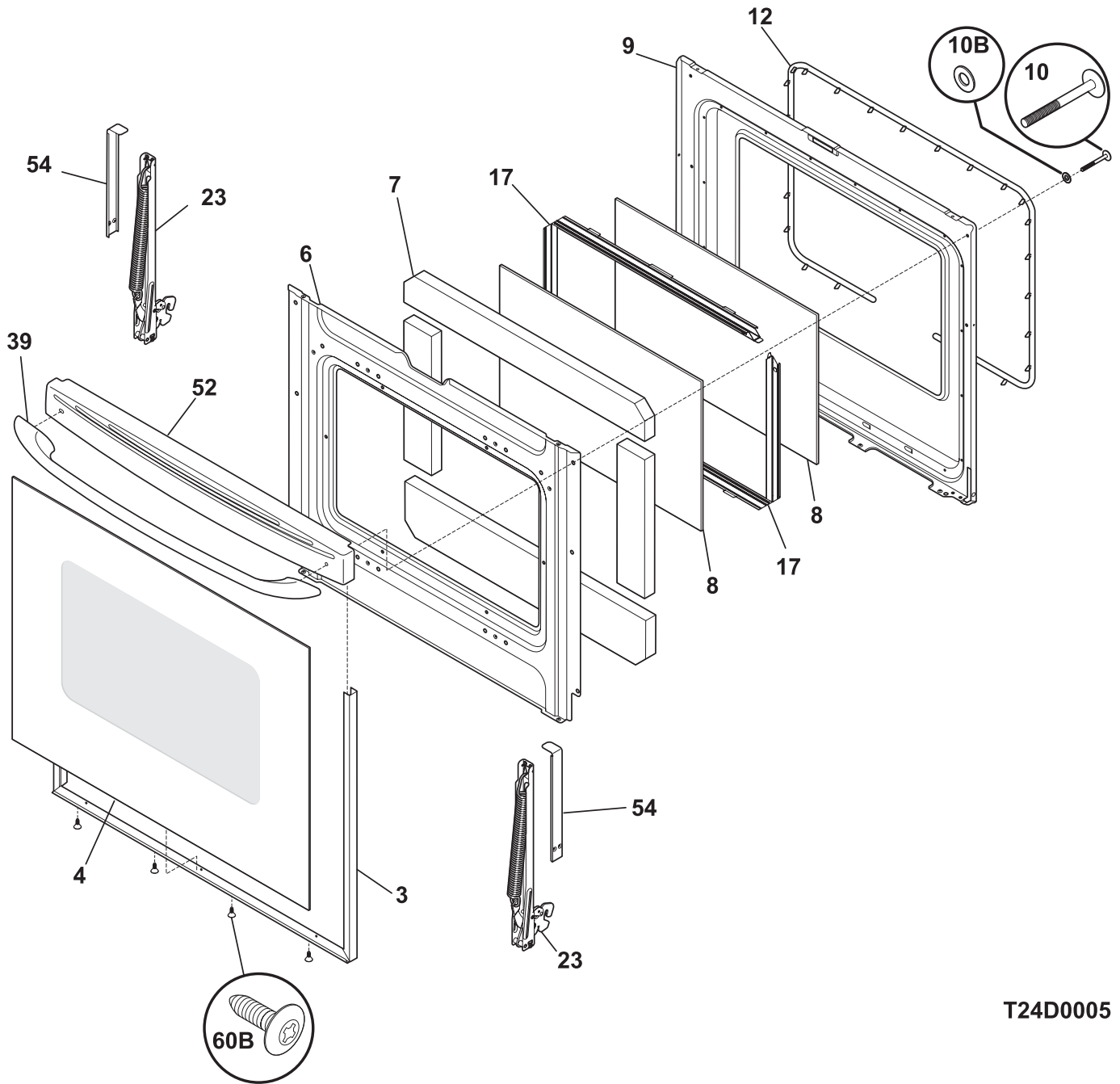
POS. NO	PART NO.		DESCRIPTION
109	316136400	A B	Blade, fan
110	316136500	A B	Washer, fan motor
111	316136600	A B	Nut, fan retainer
151	316404600	A B	Shield, bodyside
170	5303935180	A B	Anti-tip Kit, w/bracket, screw
170*	316107200	A B	Bracket, anti-tip
170*	316112500	A B	Template, anti-tip
170*	316116000	A B	Screw, concrete, 1.75", anti-tip brkt
264	316404700	A B	Bracket, air dam
*	316416603	A B	Harness, wiring, main
*	316231800	A B	Cover, hole, conv. element
*	5303305324	A -	Paint, touch-up, white
*	5304414035	- B	Paint, touch-up, bisque
*	316021105	A B	Screw, hex head cup pt, 8-18 x 0.375, black
*	316021108	A B	Screw, cup pt, 8-18 x 0.375, chrome
*	316021110	A B	Screw, 8-18 x 0.5, black
*	316021132	A B	Screw, 8-18 X 11/16, black
*	316089500	A B	Screw, 10-16 x .486
*	5303271648	A B	Screw, wafer hd sq dr, 8-18AB x 0.5
*	5303285179	A B	Screw, wafer head, 8-32T x 0.500, black

TOP/DRAWER

Model Index: A GLGF386D (GLGF386DSA)
B GLGF386D (GLGF386DQA)

POS. NO	PART NO.		DESCRIPTION
1	316408701	A B	Drawer, utility
2	316403200	A B	Liner, drawer
4	316403401	A -	Panel, drawer, white, front
4	316403403	- B	Panel, drawer, bisque, front
7	316407400	A B	Glide, drawer, rear
16	316411217	A -	Maintop, white
16	316411218	- B	Maintop, bisque
20	316424605	A -	Grate, gray, (2)
20	316424604	- B	Grate, brown, (2)
20A	316424805	A -	Grate, center, gray
20A	316424804	- B	Grate, center, brown
22	316271901	A -	Cap, 17K burner, gray
22	316271902	- B	Cap, 17K burner, brown
22A	316206601	A -	Cap, 5K burner, gray
22A	316206602	- B	Cap, 5K burner, brown
22B	316213601	A -	Cap, 12K burner, gray
22B	316213603	- B	Cap, 12K burner, brown
22C	316213501	A -	Cap, 9.5K burner, gray
22C	316213503	- B	Cap, 9.5K burner, brown
88	316099500	A B	Pin, guide, (2)
*	316021105	A B	Screw, hex head cup pt, 8-18 x 0.375, black
*	316021108	A B	Screw, cup pt, 8-18 x 0.375, chrome
*	316021109	A B	Screw, 8-18 x 0.5, chrome
*	316021110	A B	Screw, 8-18 x 0.5, black
*	5303280308	A B	Screw, wafer hd sq dr, 10-24T x 2.00, handle mtg

DOOR



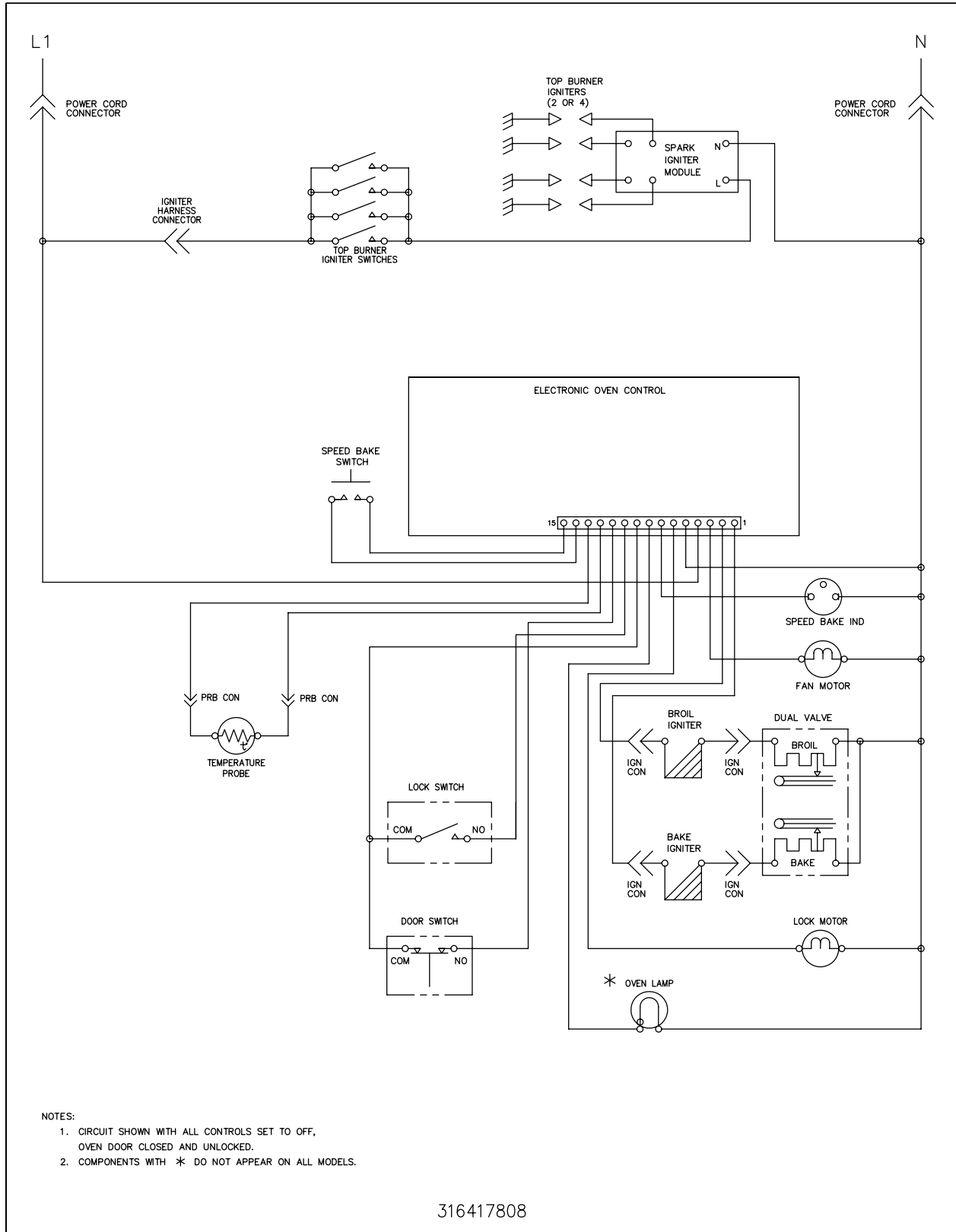
T24D0005

DOOR

Model Index: A GLGF386D (GLGF386DSA)
 B GLGF386D (GLGF386DQA)

POS. NO	PART NO.		DESCRIPTION
3	316402001	A -	Trim, oven door, white
3	316402003	- B	Trim, oven door, bisque
4	316402600	A -	Glass, door, white
4	316402602	- B	Glass, door, bisque
6	316402307	A B	Shield, wool
7	316403900	A B	Insulation, oven door
8	316117500	A B	Glass, oven door, heat barrier
9	316423801	A B	Liner, oven door
10	316422204	A B	Screw, 10-24 x 2.02", (2)
10B	316008401	A B	Washer, 3/4 OD x 1/4 ID, steel
12	316403101	A B	Seal, oven door
17	316402403	A B	Spacer, door glass, (2)
23	316406909	A B	Hinge, oven door
23*	316418900	A B	Screw, sims lp, #8-32 x 5/16", black
39	316203001	A -	Handle, door, white
39	316203003	- B	Handle, door, bisque
52	316405100	A -	Cap, door trim, white
52	316405102	- B	Cap, door trim, bisque
54	316427801	A B	Deflector, door hinge, (2)
60B	316021110	A B	Screw, 8-18 x 0.5, black
*	316433603	A B	Label, anti-tip
*	316021109	A B	Screw, 8-18 x 0.5, chrome
*	5303271648	A B	Screw, wafer hd sq dr, 8-18AB x 0.5
*	5303280308	A B	Screw, wafer hd sq dr, 10-24T x 2.00, handle mtg
*	5303285179	A B	Screw, wafer head, 8-32T x 0.500, black

WIRING SCHEMATIC



WIRING DIAGRAM

