



## Freezer

FFU12F2H W

**Frost Free**  
**12 Cu. Ft. Upright**



### Product Dimensions

Height (Including Hinges)	60-1/4"
Width	28"
Depth (Including Door)	25-7/8"

### More Easy-To-Use Features

Removable Trivet

Pocket Handle Door

Available in:



White  
(W)

## Signature Features

### Frost Free Operation

Never defrost your freezer again.

### Bright Lighting

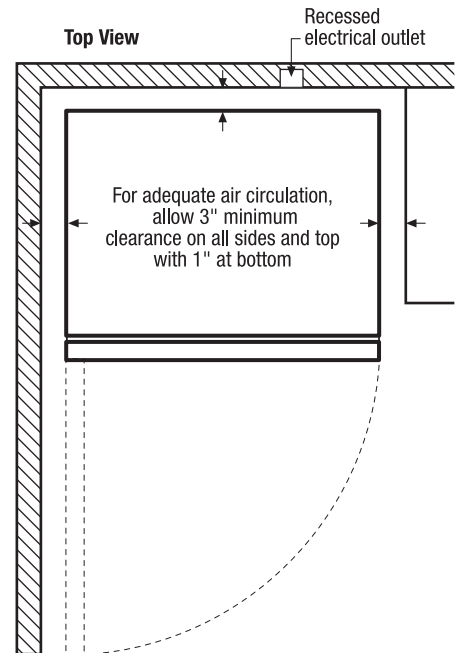
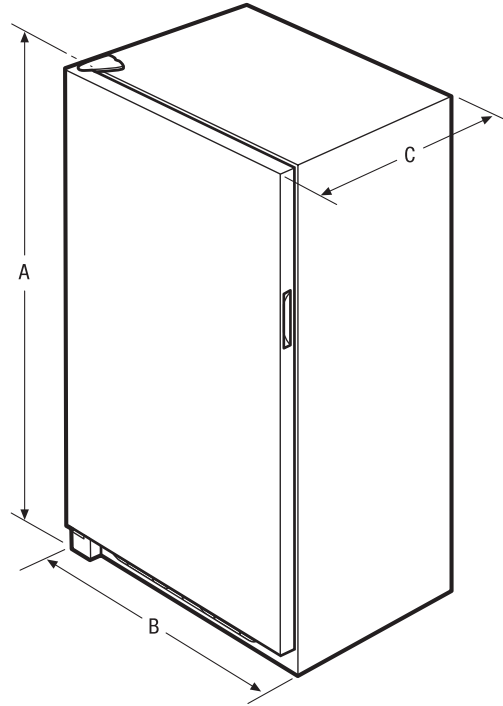
Our bright lighting makes it easy to see what's inside.

### Full-Width Fixed Wire Shelves

### Full-Width Fixed Door Racks

Features	
Door Handle Design	Pocket
Reversible Door	
Automatic Door Closer	Yes
Leveling Legs	Yes
Lock with Pop-Out Key	Yes
Defrost	Frost Free
Adjustable Temperature Control	Mechanical Dial
Front Digital Display	
Temp Display Mode	1-7
High-Temp Duration Readout	
High-Temp Alarm	
Door Ajar Alarm	
Airflow Ports	1
Interior Lighting	Bright
Full-Width Adjustable Shelves	
Full-Width Fixed Shelves	3 Wire
Removable Trivet	1
SpaceWise® Shelf Bookend	
Mid-Level Baskets	
Lower Storage Basket	
Basket Dividers	
Retractable Pizza Shelf	
Soft Freeze™ Zone	
Store-More™ Adjustable Door Bins	
Full-Width Door Bins	
Store-More™ Tilt-Out Wire Door Bins	
Fixed Door Racks	5
Defrost Drain	
Power-On Light	
Convertible	
Certifications	
CSA Rating	Household
Specifications	
Total Capacity (Cu. Ft.)	12.1
Shelf Area (Sq. Ft.)	12.88
Annual Energy (kWH)	586
Annual Energy Cost (.1065/kWH)	\$62
Power Supply Connection Location	Lower Right Rear
Voltage Rating	115V
Connected Load (kW rating) @ 115 Volts <sup>1</sup>	.58
Amps @ 115 Volts	5
Minimum Circuit Required (Amps)	15
Shipping Weight (Approx.)	165 Lbs.

<sup>1</sup>An electrical supply with grounded three-prong receptacle is required. The power supply circuit must be installed in accordance with current edition of National Electrical Code (NFPA 70) and local codes & ordinances.



NOTE: For planning purposes only. Always consult local and national electric codes. Refer to Product Installation Guide for detailed installation instructions on the web at [frigidaire.com](http://frigidaire.com).



Product Dimensions	
A - Height (Including Hinges)	60-1/4"
B - Width	28"
C - Depth (Including Door)	25-7/8"
D - Depth with Door Open 90°	52-5/8"

Accessories information available on the web at [frigidaire.com](http://frigidaire.com)