

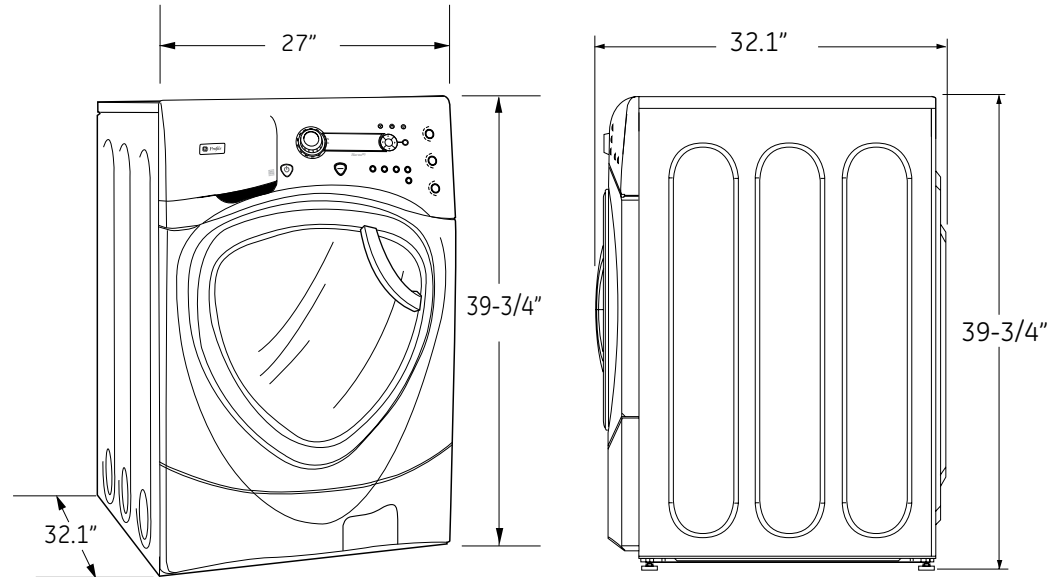
WPDH8800J

GE Profile™ ENERGY STAR® 4.2 IEC Cu. Ft. Colossal Capacity Frontload Washer

Dimensions and Installation Information (in inches)

Electric Rating	
120V	12.0A, 60Hz

Installation Information: For complete information, see installation instructions packed with your washer.



For answers to your Monogram®, GE Profile™ or GE® appliance questions, visit our website at ge.com or call GE Answer Center® service, 800.626.2000.



imagination at work



Listed by
Underwriters
Laboratories

Specification Revised 6/09

260187

WPDH8800J

GE Profile™ ENERGY STAR® 4.2 IEC Cu. Ft. Colossal Capacity Frontload Washer

Alcove or Closet Installation:

- If your dryer is approved for installation in an alcove or closet, it will be stated on a label on the dryer back.
- The dryer MUST be exhausted to the outside.
- Minimum clearances between dryer cabinet and adjacent walls or other surfaces are: 0" either side, 3" front and rear
- Minimum vertical space from floor to overhead cabinets, ceilings, etc. is 52".
- Closet doors must be louvered or otherwise ventilated and must contain a minimum of 60 sq. in. of open area equally distributed. If this closet contains both a washer and a dryer, doors must contain a minimum of 120 sq. in. of open area equally distributed.
- No other fuel-burning appliance shall be installed in the same closet with a gas dryer.

Bathroom or Bedroom Installation:

- The dryer MUST be exhausted to the outdoors.
- The installation must conform with the local codes, or in the absence of local codes, with the National Fuel Gas Code, ANSI Z223.

Minimum Clearance other than Alcove or Closet Installations:

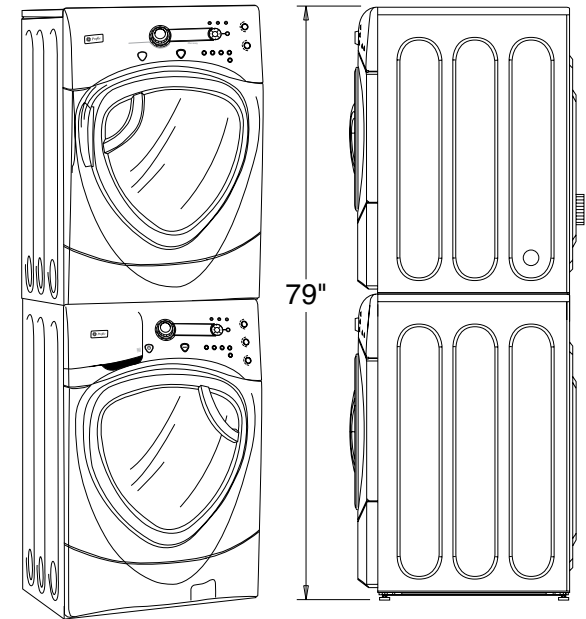
- Minimum clearances to combustible surfaces 0" both sides, 3" rear.

For more information on venting kits and accessories, please call 1-800-GE-CARES.

For answers to your Monogram®, GE Profile™ or GE® appliance questions, visit our website at ge.com or call GE Answer Center® service, 800.626.2000.



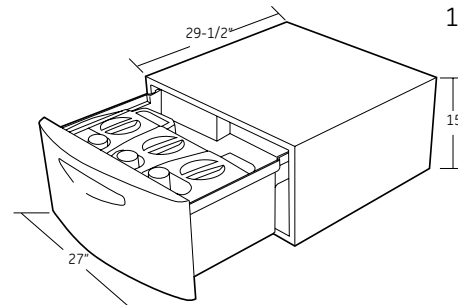
Stacked Dimensions (in inches)



SmartDispense™ Pedestal Dimensions (in inches)

- SPBD880JMG - Champagne
- SPBD880JMV - Vermillion Red
- SPBD880JWW - White

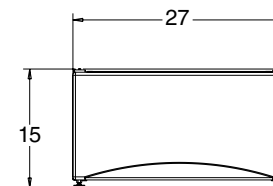
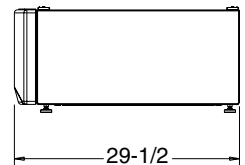
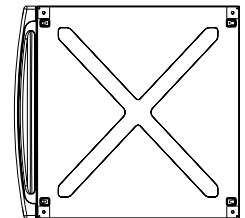
This optional 15" pedestal raises the door opening and height of the washer or dryer. Feet on 15" pedestal allow it to adjust to 15-3/8" height.



Storage Pedestal Dimensions (in inches)

- SPSD157JMG - Champagne
- SPSD157JMV - Vermillion Red
- SPSD157JWW - White

This optional 15" pedestal raises the door opening and height of the washer or dryer. Feet on 15" pedestal allow it to adjust to 15-3/8" height.



WPDH8800J

GE Profile™ ENERGY STAR® 4.2 IEC Cu. Ft. Colossal Capacity Frontload Washer

Features and Benefits

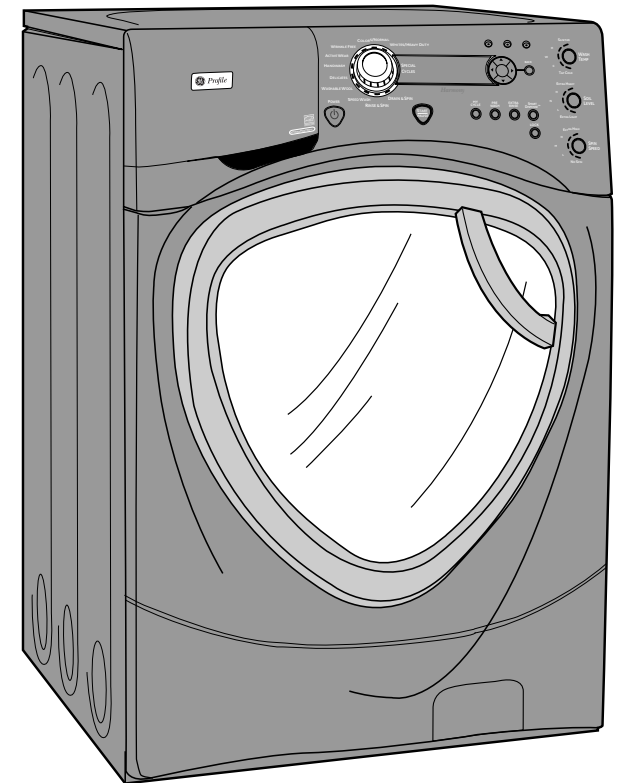
- ENERGY STAR® Qualified - Meets or exceeds federal guidelines for energy efficiency, which means year-round energy and money savings
- SmartDispense™ Technology* - SmartDispense™ pedestal holds up to 6 months of detergent and 95 ounces of fabric softener** and dispenses the right amount, at the right time
- H2ition Wash System - This intuitive clothes care technology automatically senses the size of load to add the right amount of water at the right temperature to save energy*** and water and experience a terrific clean
- CleanSpeak™ Communication System - The washer communicates electronically with the dryer, which then presets dry cycles for better clothes care, increased time savings and greater convenience
- Stain Inspector™ System - Treats over 40 common stains depending on model, from grass stains to grease; It is the best stain removal system available
- Specialty Wash Cycles - Ensure that your expensive fabrics get the special attention they deserve
- 1300 RPM Spin Speed - Pulls more water from fabrics and leads to less time in the dryer
- Tilted Stainless Steel Wash Basket - Professional grade stainless steel wash basket stands up to the toughest loads

* SmartDispense™ Technology is not available without a SmartDispense™ pedestal which must be purchased separately

** Based on an 8-lb. AHAM load, 10 loads per week

*** Compared to a traditional topload washer, WWSE5240

- Model WPDH8800JMG – Champagne
- Model WPDH8800JMV – Vermillion Red
- Model WPDH8800JWW – White



Modified Energy Factor (MEF)	2.23
Water Factor (WF)	4.0



imagination at work

