



# Professional Freestanding Gas 36"W. Commercial Depth Open Burner Range

## Standard Features & Accessories

### All models include

- Large convection oven
  - Overall capacity—5.2 cu. ft. (30-1/8"W. x 14-1/8"H. x 21-1/4"D.)
  - AHAM Standard capacity—4.7 cu. ft. (30-1/8"W. x 14-1/8"H. x 19-1/4"D.)
  - Three heavy-duty racks/five rack positions
  - Two lights
- **Exclusive** VariSimmer™ setting for all burners
- Removable porcelain burner bowls
- Drip tray with roller bearing glides and two-quart drip pan

- **Exclusive** combination of dual bake burners and infrared broil burner, all with automatic ignition
- Six functions—natural airflow bake, convection bake, infrared broil, convection infrared broil, convection dehydrate, and convection defrost
- Standard kickspace height

### 6BD models include

- Six 15,000 BTU stainless steel burners with porcelain/cast iron caps and automatic ignition/re-ignition

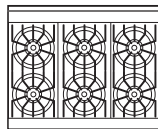
### 4GD models include

- Six 15,000 BTU stainless steel burners with porcelain/cast iron caps and automatic ignition/re-ignition
- 12"W. thermostatically controlled griddle/simmer plate

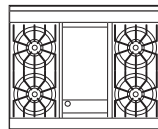
### 4QD models include

- Four 15,000 BTU stainless steel burners with porcelain/cast iron caps and automatic ignition/re-ignition
- 12"W. grill with flavor generator plates and automatic ignition/re-ignition

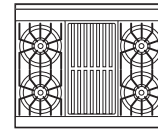
## Model Options



**VGRC365-6BD\***  
Six-Burner Range



**VGRC365-4GD\***  
Four-Burner/Griddle Range



**VGRC365-4QD\***  
Four-Burner/Grill Range

### FINISH DETAILS FOR ALL MODELS

- Stainless Steel (SS), Black (BK), White (WH), Metallic Silver (MS), Graphite Gray (GG), Stone Gray (SG), Taupe (TP), Biscuit (BT), Cotton White (CW), Oyster Gray (OG), Golden Mist (GM), Lemonade (LE), Sage (SA), Mint Julep (MJ), Sea Glass (SE), Iridescent Blue (IB), Viking Blue (VB), Pumpkin (PM), Racing Red (RR), Apple Red (AR), Burgundy (BU), Plum (PL), Chocolate (CH), and Cobalt Blue (CB).
  - Finish designates door front, lower front panel, and side panels.

- Has black porcelain grates, black porcelain burner caps, black porcelain grate supports/burner bowls, and black knobs/switches.
- White (WH)
  - Finish designates door front, lower front panel, side panels, porcelain grate supports/burner bowls, porcelain center worktop, and knobs/switches.
  - Has black porcelain grates and black porcelain burner caps.

- All finishes have stainless steel handle/chrome-plated brackets and stainless steel drip tray pull, control panel, and landing ledge.
- Brass Trim Option (BR)—nameplate, window trim, handle, drip tray pull, knob bezels, thermal-convection switch bezel, and grate support side trim. Brass components have a durable protective coating for maintenance-free normal use.

\*Shown throughout with 6"H. backguard. See **Installation Notes & Accessories** for details.

### ORDERING INSTRUCTIONS

First specify model number, and then color code (VGRC365-6BDSS). If ordering optional brass trim, specify code at end (VGRC365-6BDSSBR). If ordering optional LP conversion, specify code at end (VGRC365-6BDSSBRPLP).





**Professional Freestanding Gas 36"W.  
Commercial Depth Open Burner Range**

**Dimensions & Specifications**

**PRODUCT DIMENSIONS & DOOR SWING**



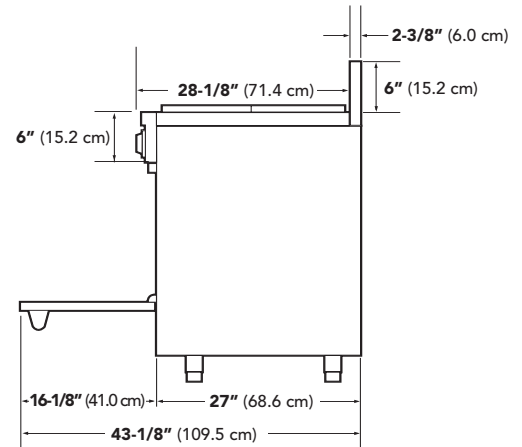
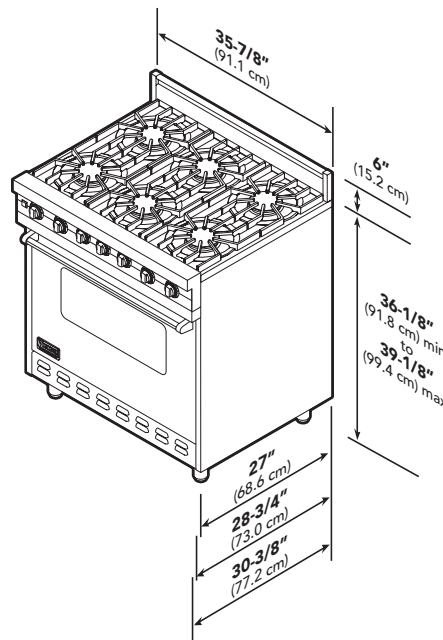
**VGRC365-6BD  
Six-Burner Range**



**VGRC365-4GD  
Four-Burner/  
Griddle Range**



**VGRC365-4QD  
Four-Burner/  
Grill Range**



★ Please see **Installation Notes & Accessories** for important installation information including backguard, high-shelf, island trim, and curb base front.

★ **ALL MODELS**  
**Star-K Kosher Certification for use on the Jewish Sabbath or Jewish holidays**

	<b>VGRC365-6BD</b>	<b>VGRC365-4GD</b>	<b>VGRC365-4QD</b>
Overall width		<b>35-7/8" (91.1 cm)</b>	
Overall height			
Base height			
To top of grate support		<b>36-1/8" (91.8 cm) min. to 39-1/8" (99.4 cm) max.</b>	
Legs adjust (with "spindles" fully extended)		<b>3" (7.6 cm)</b>	
Additions to base height			
To top of grate		<b>Add 1-1/8" (2.9 cm)</b>	
To top of island trim		<b>Add 1-1/4" (3.2 cm)</b>	
To top of 6" backguard		<b>Add 6" (15.2 cm)</b>	
To top of 10" backguard		<b>Add 10" (25.4 cm)</b>	
To top of high shelf		<b>Add 23-1/2" (59.7 cm)</b>	
Overall depth (from rear)			
To end of side panel		<b>27" (68.6 cm)</b>	
To end of control panels		<b>28-3/4" (73.0 cm)</b>	
To end of knobs		<b>30-3/8" (77.2 cm)</b>	
Oven			
Interior width		<b>30-1/8" (76.5 cm)</b>	
Interior height		<b>14-1/8" (35.9 cm)</b>	
Interior depth		<b>19-1/4" (48.9 cm)</b>	
Overall interior size		<b>4.7 cu. ft.</b>	

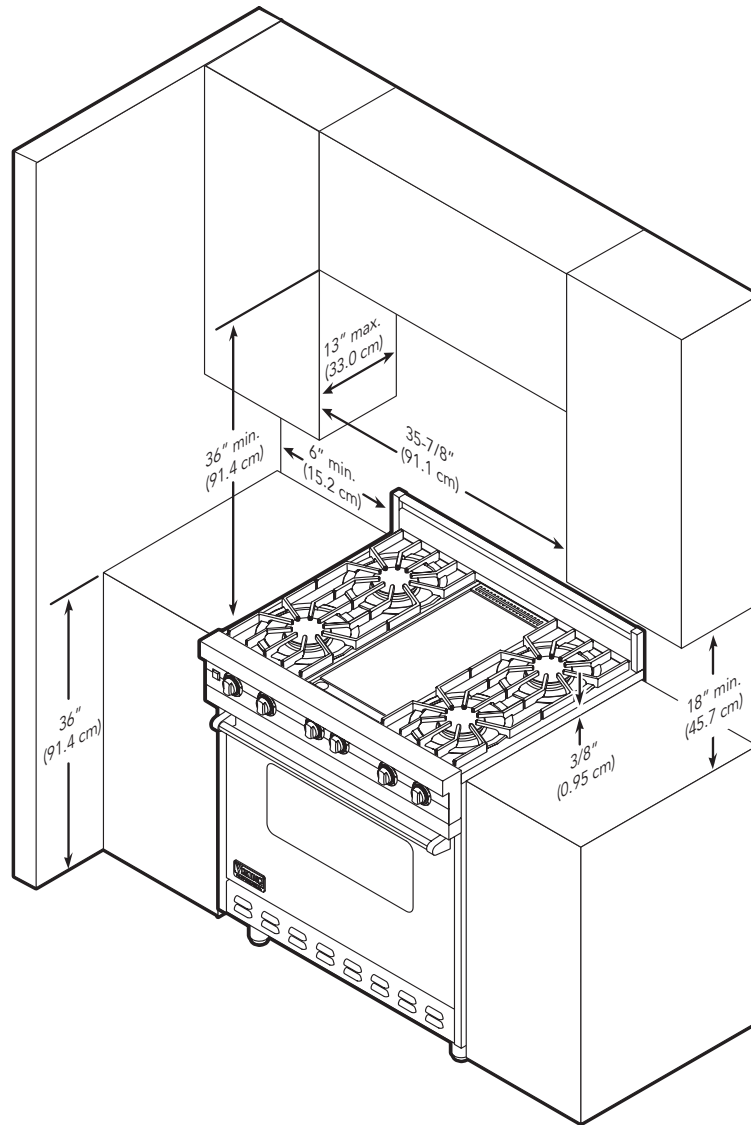




# Professional Freestanding Gas 36"W. Commercial Depth Open Burner Range

## Dimensions & Specifications

### CLEARANCE DIMENSIONS



#### Minimum clearances from adjacent combustible construction

- Cooking surface and below, i.e., 36" (91.4 cm)
  - o Sides—0"
  - o Rear—0" with backguard or high shelf; 0" with island trim and non-combustible rear wall; 6" (15.2 cm) with island trim and combustible rear wall
  - o Top grate support—36" (91.4 cm)
- Above cooking surface, i.e., above 36" (91.4 cm)
  - o Sides—6" (15.2 cm)
  - o Within 6" (15.2 cm) side clearance, wall cabinets no deeper than 13" (33.0 cm) must be minimum 18" (45.7 cm) above cooking surface
  - o Wall cabinets directly above product

must be minimum 36" (91.4 cm) for open top burners above cooking surface

- Use range only with factory supplied legs

1. This range may be installed directly adjacent to existing 36" (91.4 cm) high base cabinets. **Important:** The top grate support **must** be 3/8" (0.95 cm) above the adjacent base cabinet countertop. This may be accomplished by raising the unit using the adjustment spindles on the legs.
2. The range **cannot** be installed directly adjacent to sidewalls, tall cabinets, tall appliances, or other side vertical surfaces above 36" (91.4 cm) high. There must be a minimum of

6" (15.2 cm) side clearance from the range to such combustible surfaces above the 36" (91.4 cm) counter height.

3. Within the 6" (15.2 cm) side clearance to combustible vertical surfaces above 36" (91.4 cm), the maximum wall cabinet depth must be 13" (33.0 cm) and wall cabinets within this 6" (15.2 cm) side clearance must be 18" (45.7 cm) above the 36" (91.4 cm) high countertop.
4. Wall cabinets above the range must be a minimum of 36" (91.4 cm) above the range cooking surface for the full width of the range. This minimum height requirement does not apply if a rangehood is installed over the cooking surface.



# COOKING

## Professional Freestanding Gas 36"W. Commercial Depth Open Burner Range



### UTILITY REQUIREMENTS



#### GAS

- Shipped natural gas standard; field convert to LP/propane with optional accessory kit or order as LP by adding LP after color code
- Accepts standard residential 1/2" (1.3 cm) ID gas service line
- Gas manifold pressure
  - Natural gas 5.0" W.C.P.
  - LP/Propane 10.0" W.C.P.



#### ELECTRICAL

- Four-foot (121.9 cm) cord included with range
- Three-wire with ground/three-prong plug
- 120 V/60 Hz
- Maximum amp usage—
  - 6BD—8.5
  - 4GD—11.8
  - 4QD—8.5



#### PLUMBING

Not applicable

### Installation Requirements

#### ACCESS REQUIREMENTS



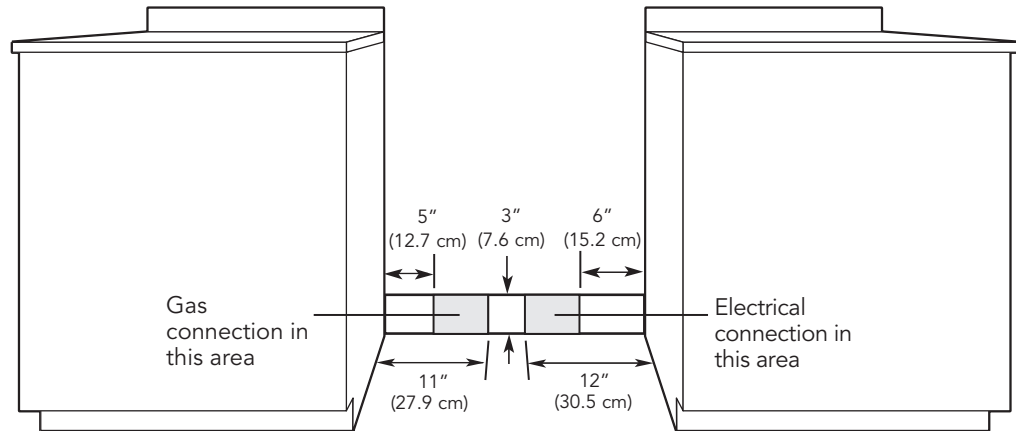
**VGRC365-6BD**  
Six-Burner Range



**VGRC365-4GD**  
Four-Burner/  
Griddle Range



**VGRC-365-4QD**  
Four-Burner/  
Grill Range



**Note:** Ground plug and electrical wire toward the direction of the electrical outlet.

	<b>VGRC365-6BD</b>	<b>VGRC365-4GD</b>	<b>VGRC-365-4QD</b>
Surface burner rating			
Four grated burners (each)		15,000 BTU Nat. (4.4 kW)/ 13,500 BTU LP (4.0 kW)	15,000 BTU Nat. (4.4 kW)/ 13,500 BTU LP (4.0 kW)
Six grated burners (each)	15,000 BTU Nat. (4.4 kW)/ 13,500 BTU LP (4.0 kW)		
One griddle		15,000 BTU Nat. (4.4 kW)/ 13,500 BTU LP (4.0 kW)	
One grill			18,000 BTU Nat. (5.3 kW—gross)/ 16,000 BTU LP (4.7 kW—net)
Broil burner rating	<b>18,000 BTU Nat. (5.3 kW)/16,000 BTU LP (4.7 kW)</b>		
Bake burner rating			
Two burners (each)	<b>15,000 BTU Nat./LP (4.4 kW)</b>		



**Professional Freestanding Gas 36"W. Commercial Depth Open Burner Range****✦ Installation Notes & Accessories**

A backguard, high-shelf, or island trim must be used for all installations.

**6"H. Backguard**

- Stainless Steel (SS)
- Coordinates with all finishes

Model	Description	Approx. ship wt. lbs. (kg)
R36BG6	36"W. backguard	20 (9.0)

**10"H. Backguard**

- Stainless Steel (SS)
- Coordinates with all finishes

Model	Description	Approx. ship wt. lbs. (kg)
R36BG10	36"W. backguard	23 (10.4)

**High-shelf**

- Stainless Steel (SS)
- Coordinates with all finishes
- Shelf comes attached to a 24"H. backguard

Model	Description	Approx. ship wt. lbs. (kg)
R36HS24	36"D. high-shelf	53 (23.9)

**Island Trim**

- Stainless Steel (SS)
- Coordinates with all finishes
- For island/peninsula installation
- Can replace backguard if wall is non-combustible

Model	Description	Approx. ship wt. lbs. (kg)
R36TII	36"W. island trim	12 (5.4)

**Countertop Side Trim**

- Stainless Steel (SS)
- Coordinates with all finishes
- Installs on side of unit; overlaps countertop
- One pair of trim

Model	Description	Approx. ship wt. lbs. (kg)
R27CST	Side trim	2 (0.9)

**Curb Base Front**

- Stainless Steel (SS)
- Coordinates with all finishes
- Front only
- Conceals range legs
- Completely assembled
- Easily clips onto range legs after range is installed

**Custom Curb Base Front**

- Remove stainless steel front and recycle
- Attach locally supplied trim
- Conceals range legs
- Completely assembled
- Easily clips onto range legs after range is installed
- Provides drop-in range look

Model	Description	Approx. ship wt. lbs. (kg)
R36CBF	36"W. curb base front	10 (4.5)



**Professional Freestanding Gas 36"W.  
Commercial Depth Open Burner Range****✦ Installation Notes & Accessories****Caster Kit**

- Stainless Steel (SS)
- For VGRC ranges with 6" to 8"H. legs only
- Agency certified for residential installation
- Includes four locking casters and one gas line quick connect/disconnect kit (flexible hose, restraining cable, fittings, and hardware)

Model	Description	Approx. ship wt. lbs. (kg)
CKR	Caster kit	21 (9.5)

**LP/Propane Conversion Kit**

- Allows for field conversion of range from natural gas to LP

Model	Description	Approx. ship wt. lbs. (kg)
LPKRR	Natural to LP/propane conversion kit	2 (0.9)

**Compliance Information****WARRANTY INFORMATION\***

- One-year full warranty—complete product
- Ten-year limited warranty—porcelain oven and porcelain inner door panel
- Five-year limited warranty—surface burners, griddle burners, grill burners, and oven burner
- Ninety-day limited warranty—cosmetic parts such as glass, painted, and decorative items

\* For complete warranty see *Use & Care Guide*. Warranty valid on Viking products shipped within the United States and Canada.

