

SERVICE DATA SHEET

Electric Ranges with ES 300/305/306 Electronic Oven Controls

NOTICE - This service data sheet is intended for use by persons having electrical and mechanical training and a level of knowledge of these subjects generally considered acceptable in the appliance repair trade. The manufacturer cannot be responsible, nor assume any liability for injury or damage of any kind arising from the use of this data sheet.

SAFE SERVICING PRACTICES

To avoid the possibility of personal injury and/or property damage, it is important that safe servicing practices be observed. The following are examples, but without limitation, of such practices.

- Before servicing or moving an appliance remove power cord from electrical outlet, trip circuit breaker to OFF, or remove fuse.
- Never interfere with the proper installation of any safety device.
- GROUNDING:** The standard color coding for safety ground wires is *GREEN* or *GREEN WITH YELLOW STRIPES*. Ground leads are not to be used as current carrying conductors. **It is extremely important that the service technician reestablish all safety grounds prior to completion of service. Failure to do so will create a potential safety hazard.**
- Prior to returning the product to service, ensure that:
 - All electric connections are correct and secure.
 - All electrical leads are properly dressed and secured away from sharp edges, high-temperature components, and moving parts.

- All uninsulated electrical terminals, connectors, heaters, etc. are adequately spaced away from all metal parts and panels.
- All safety grounds (both internal and external) are correctly and securely reassembled.

Oven Calibration

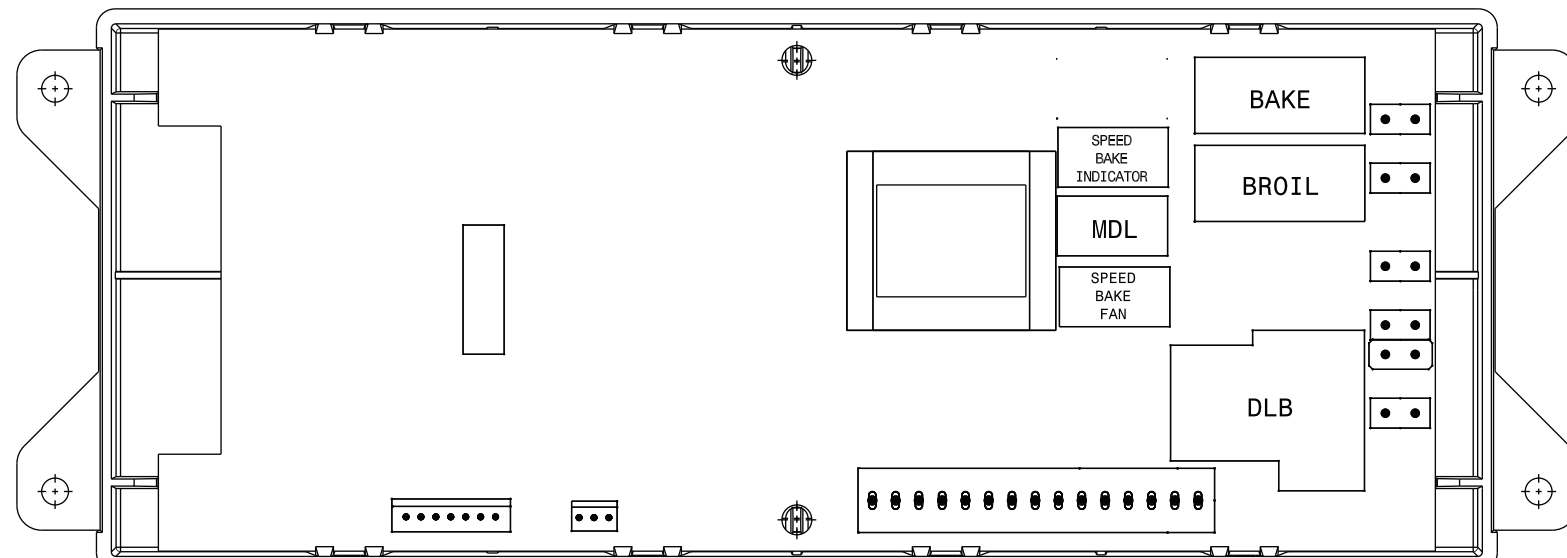
Set the electronic oven control for normal baking at 350°F. Obtain an average oven temperature after a minimum of 5 cycles. Press **Stop or Clear** to end bake mode.

Temperature Adjustment

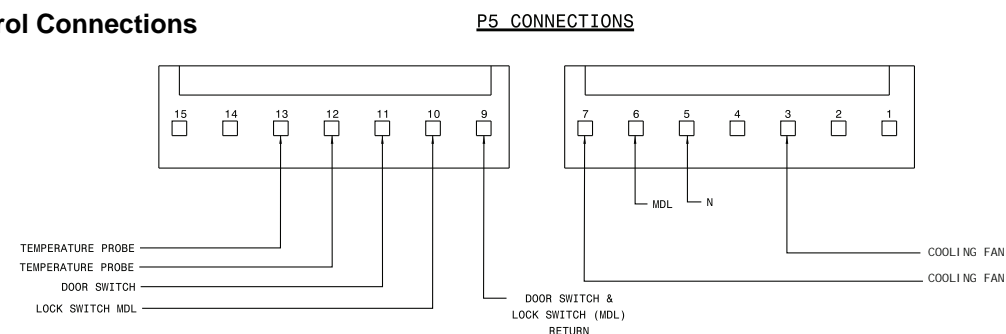
- Set EOC to bake at 550°F.
- Within 5 seconds of setting 550°F, press and hold the bake pad for approximately 15 seconds until a single beep is heard (longer may cause **F11** shorted keypad alarm).
- Calibration offset should appear in the display.
- Use the slew keys to adjust the oven temperature up or down 35°F in 5°F increments.
- Once the desired (-35° to 35°) offset has been applied, press **Stop or Clear**.

Note: Changing calibration affects normal Bake mode. The adjustments made will not change the Self-Cleaning cycle temperature.

Electronic Oven Control (Rear View)



E.O.C. Control Connections



RTD SCALE

Temperature °F (°C)	Resistance (ohms)
32 ± 1.9 (0 ± 1.0)	1000 ± 4.0
75 ± 2.5 (24 ± 1.3)	1091 ± 5.3
250 ± 4.4 (121 ± 2.4)	1453 ± 8.9
350 ± 5.4 (177 ± 3.0)	1654 ± 10.8
450 ± 6.9 (232 ± 3.8)	1852 ± 13.5
550 ± 8.2 (288 ± 4.5)	2047 ± 15.8
650 ± 9.6 (343 ± 5.3)	2237 ± 18.5
900 ± 13.6 (482 ± 7.5)	2697 ± 24.4
Probe circuit to case ground	Open circuit/infinite resistance

ELECTRONIC OVEN CONTROL FAULT CODE DESCRIPTIONS

Fault Code	Likely failure condition/cause	Suggested corrective action
F10	Runaway temperature. Oven heats when no cook cycle is programmed.	<p>If Oven is cold:</p> <ol style="list-style-type: none"> If fault code is present with cold oven test oven temperature sensor probe circuit resistance. Use RTD scale found in the tech sheet. Replace probe or repair wiring connections if defective. If temperature sensor probe circuit is good but fault code remains when oven is cold replace the EOC. <p>If Oven is overheating:</p> <ol style="list-style-type: none"> If oven is severely overheating/heating when no cook cycle is programmed test oven temperature sensor probe circuit resistance using the RED scale found in the service tech sheet. Also verify that the temperature sensor probe is properly installed in the oven cavity. Disconnect power from the range, wait 30 seconds and reapply power. If oven continues to heat when the power is reapplied, replace the EOC. NOTE: Severe overheating may require the entire oven to be replaced should damage be extensive.
F11	Shorted keypad or selector switch.	<ol style="list-style-type: none"> Reset power supply to range - Disconnect power, wait 30 seconds and reapply power. Check/reset ribbon harness connections between touch panel and EOC. Test keyboard circuits. Replace touch panel if defective. If keyboard circuits check good replace the EOC.
F12	EOC Internal software error or failure.	Disconnect power, wait 30 seconds and reapply power. If fault returns upon power-up, replace EOC.
F13		
F30	Open oven sensor probe circuit.	Check resistance at room temperature & compare to RTD Sensor resistance chart. If resistance is correct replace the EOC. If resistance does not match the RTD chart replace RTD Sensor Probe. Check Sensor wiring harness between EOC & Sensor Probe connector.
F31	Shorted oven sensor probe circuit.	Check resistance at room temperature, if less than 500 ohms, replace RTD Sensor Probe. Check for shorted Sensor Probe harness between EOC & Probe connector. If resistance is correct replace the EOC.
F90-F95	Door lock motor or latch circuit failure.	<p>If lock motor runs:</p> <ol style="list-style-type: none"> Test continuity of wiring between EOC and lock switch on lock motor assy. Repair if needed. Advance motor until cam depresses the plunger on lock motor switch. Test continuity of switch contacts. If switch is open replace lock motor assembly. If motor runs and switch contacts and wiring harness test good, replace the EOC. <p>If lock motor does not run:</p> <ol style="list-style-type: none"> Test continuity of lock motor windings. Replace lock motor assembly if windings are open. Test lock motor operation by using a test cord to apply voltage. If motor does not operate replace lock motor assy. If motor runs with test cord check continuity of wire harness to lock motor terminals. If harness is good replace the EOC.

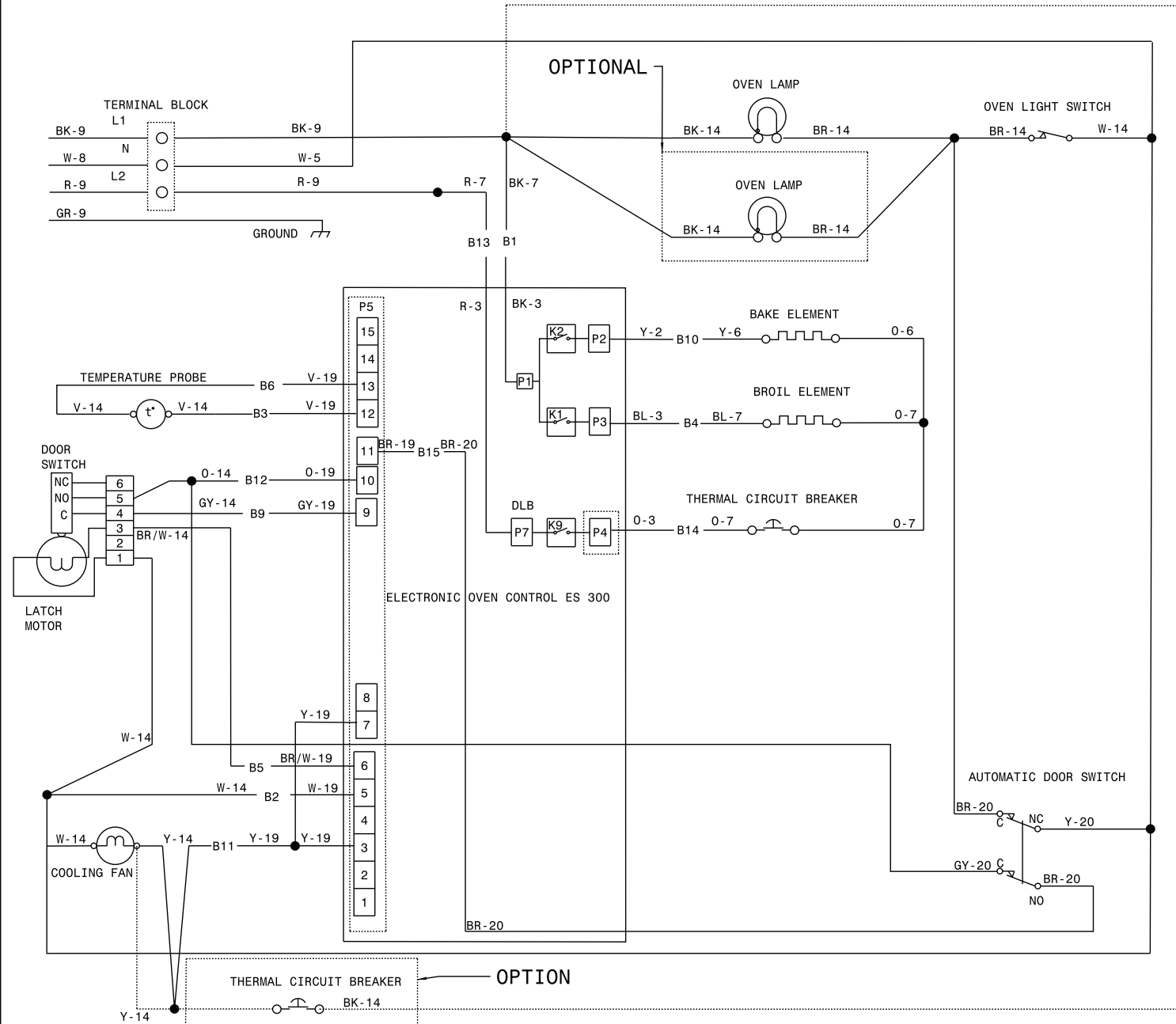
CIRCUIT ANALYSIS MATRIX	EOC RELAYS			
	L1 to Bake	L1 to Broil	L1 to Motor Door Latch	Door Switch COM-NO
Bake/Time Bake	X	X*		
Broil		X		
Clean	X			
Unlocked				
Locking			X	
Locked				
Unlocking			X	
Door Open				
Door Closed				X

NOTE: X = Check listed circuits * = Alternates with bake element

Please note that the warmer drawer feature is only on some models

IMPORTANT
DO NOT REMOVE THIS BAG
OR DESTROY THE CONTENTS
WIRING DIAGRAMS AND SERVICE
INFORMATION ENCLOSED
REPLACE CONTENTS IN BAG

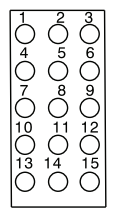
OVEN CIRCUIT



COLORS

- BK. - BLACK
- G. - GREEN
- W. - WHITE
- R. - RED
- O. - ORANGE
- Y. - YELLOW
- BR. - BROWN
- BL. - BLUE
- GY. - GRAY
- V. - VIOLET
- T. - TAN
- C - COPPER
- P - PINK
- PR - PURPLE

CONNECTOR B

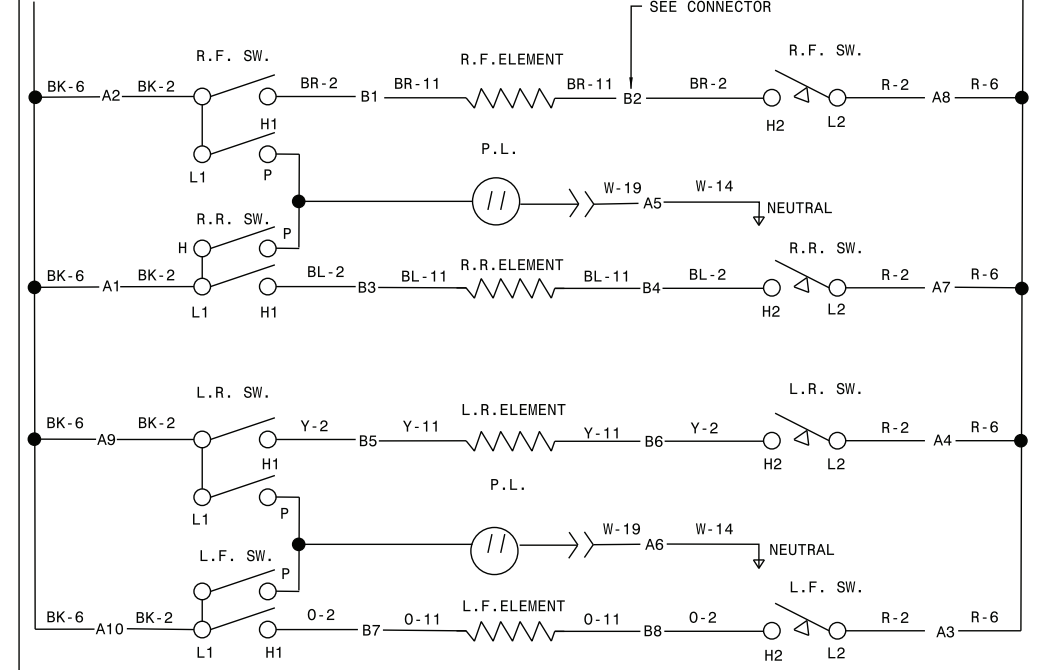


WIRE	GAUGE	TEMP. °C	CSA	UL
1	18	125	CL1251	3173
2	16	125	CL1251	3173
3	14	125	CL1251	3173
4	12	125	CL1251	3173
5	18	150	EXL-150	3321
6	16	150	EXL-150	3321
7	14	150	EXL-150	3321
8	12	150	EXL-150	3321
9	10	150	EXL-150	3321
10	18	200	SEW-1	3122
11	16	200	SEW-1	3122
12	12	250		3252
13	16	250		3252
14	20	150	EXL-150	3321
15	8	150	EXL-150	3321
16	8	60		
17	10	60		
18	10	200	SEW-1	3122
19	20	125	CL1251	3173
20	20	200	SEW-1	3122
37	14	200		3512

CAUTION: DISCONNECT POWER BEFORE SERVICING UNIT. LABEL ALL WIRES PRIOR TO DISCONNECTION WHEN SERVICING CONTROLS. WIRINGS ERRORS CAN CAUSE IMPROPER AND DANGEROUS OPERATION. VERIFY PROPER OPERATION AFTER SERVICING.

PART # D0004828 REV: 002

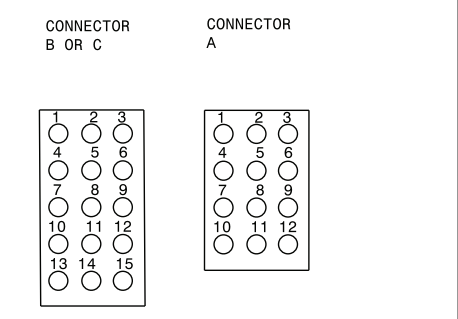
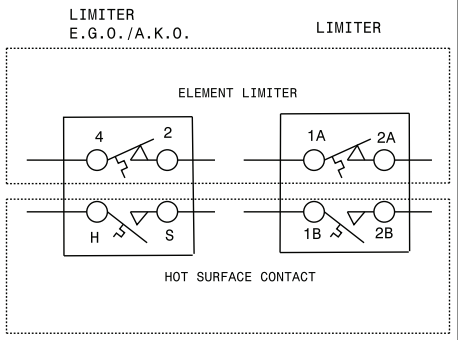
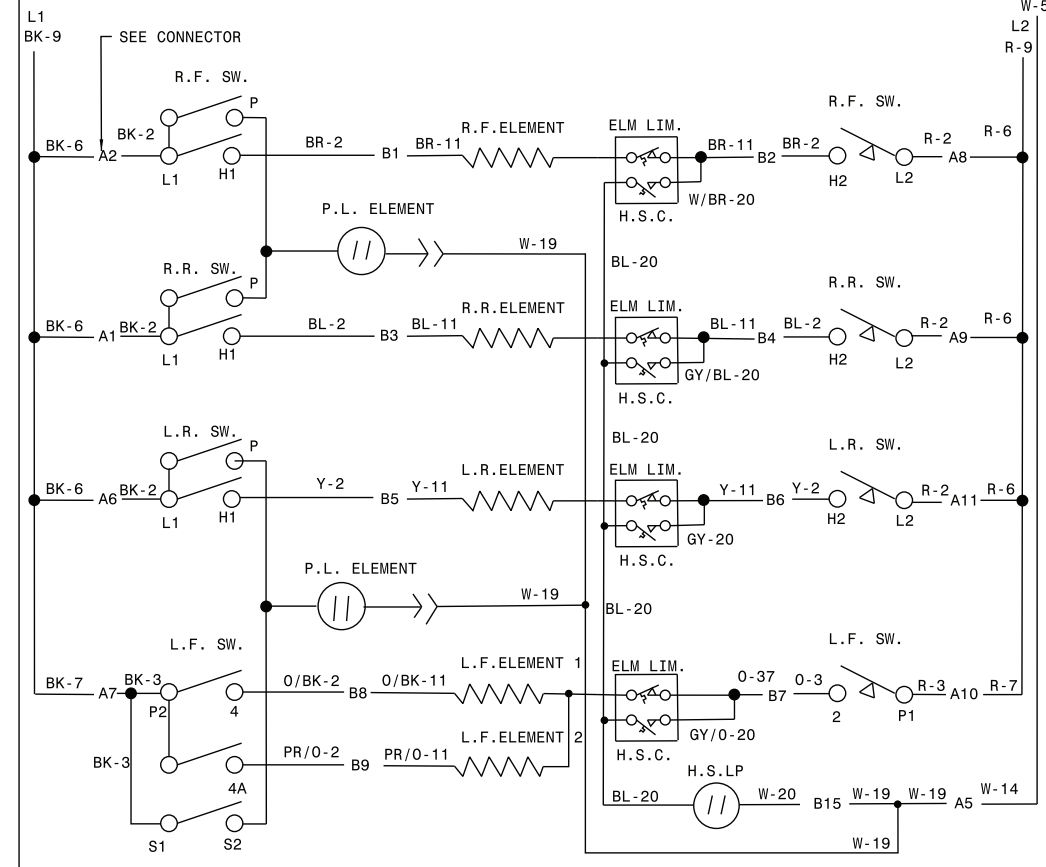
SURFACE-ELEMENT COILS



- ### COLORS
- BK. - BLACK
 - G. - GREEN
 - W. - WHITE
 - R. - RED
 - O. - ORANGE
 - Y. - YELLOW
 - BR. - BROWN
 - BL. - BLUE
 - GY. - GRAY
 - V. - VIOLET
 - T. - TAN
 - C - COPPER
 - P - PINK
 - PR - PURPLE

WIRE	GAUGE	TEMP. °C	CSA	UL
1	18	125	CL1251	3173
2	16	125	CL1251	3173
3	14	125	CL1251	3173
4	12	125	CL1251	3173
5	18	150	EXL-150	3321
6	16	150	EXL-150	3321
7	14	150	EXL-150	3321
8	12	150	EXL-150	3321
9	10	150	EXL-150	3321
10	18	200	SEW-1	3122
11	16	200	SEW-1	3122
12	12	250		3252
13	16	250		3252
14	20	150	EXL-150	3321
15	8	150	EXL-150	3321
16	8	60		
17	10	60		
18	10	200	SEW-1	3122
19	20	125	CL1251	3173
20	20	200		3122
37	14	200		3512

GLASS COOKTOP



CAUTION: DISCONNECT POWER BEFORE SERVICING UNIT. LABEL ALL WIRES PRIOR TO DISCONNECTION WHEN SERVICING CONTROLS. WIRINGS ERRORS CAN CAUSE IMPROPER AND DANGEROUS OPERATION. VERIFY PROPER OPERATION AFTER SERVICING.

NOTE: COMPONENTS SHOWN ARE NOT NECESSARILY USED ON ALL MODELS.

PART # D0004828 REV: 002

