

Frigidaire

Factory Parts Catalog

Product No.	FFU17M7HWG
Series	134A
Color	white
Volts	115
Wiring Diagram	297010201
Owner's Guide	297080400
Market	North America
Energy Guide	216795009

 **Electrolux**

Electrolux Major Appliances
North & Latin America
P.O. BOX 212378
AUGUSTA, GA 30917

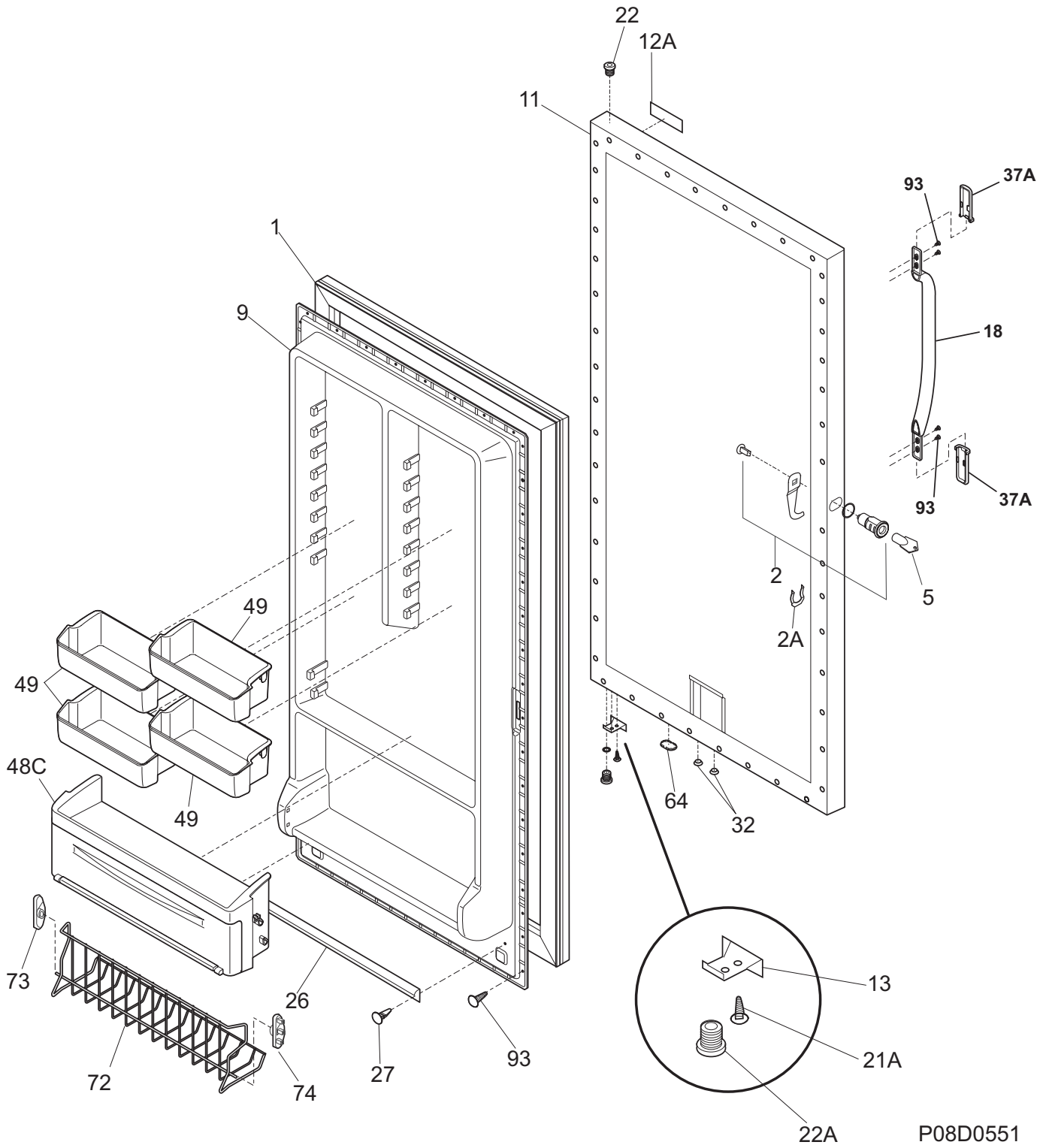
Publication No.
5995529715
08/12/02
(EN/SERVICE/MLR)
365

UPRIGHT FREEZER

Model No.
FFU17M7HW

Copyright © 2008 Electrolux Home Products, Inc.
All rights reserved.

DOOR

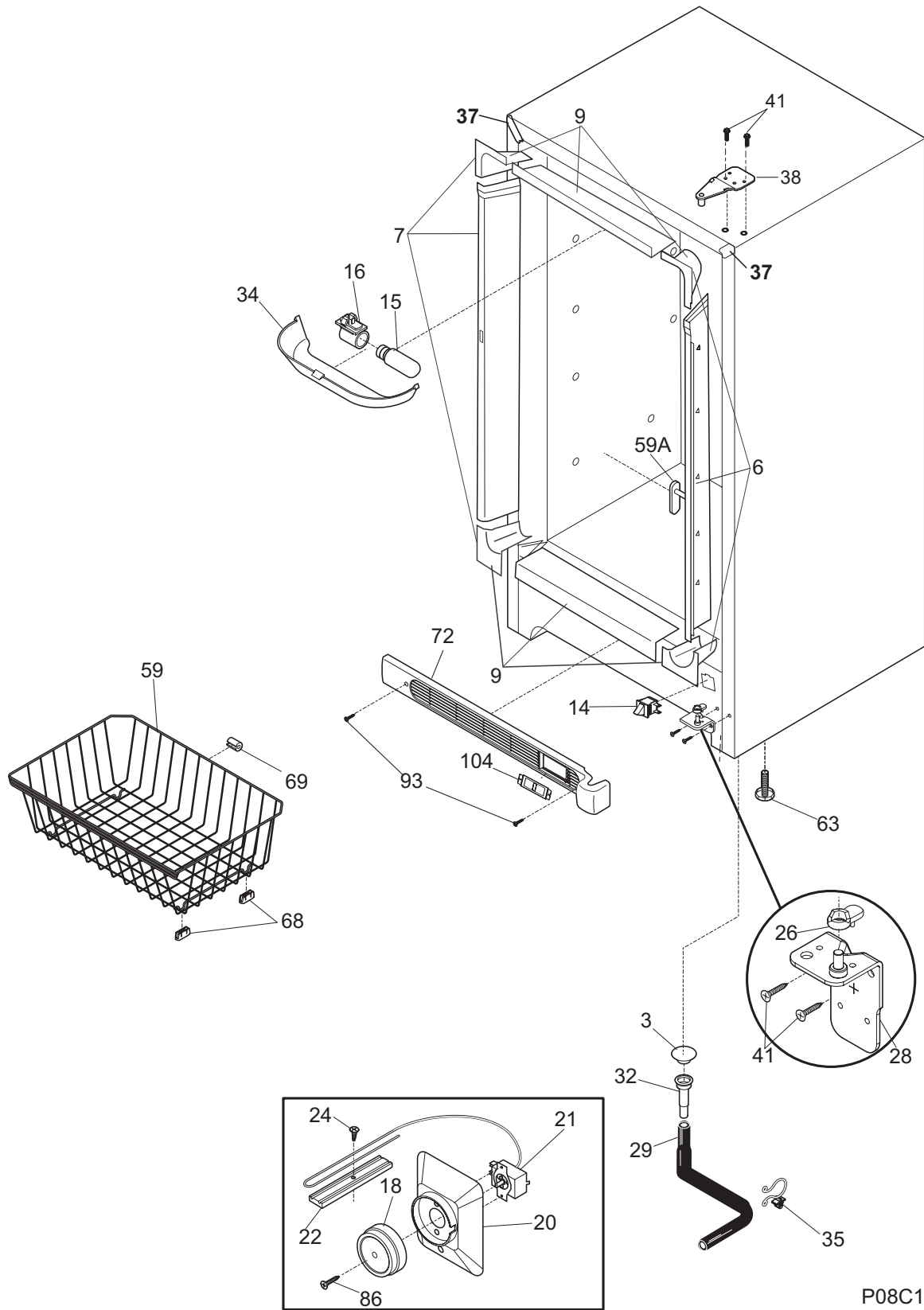


P08D0551

DOOR

POS. NO	PART NO.	DESCRIPTION
1	216522309	Gasket-door, white
2 #	297213400	Lock Assy
2A	297213300	Clip, spring
5	297147700	Key, lock
9	297185800	Panel-inner door, frzr
11	297245209	Panel-outer door, white
12A	216892802	Nameplate
13	297257000	Door Stop, chrome, RH/LH
18	218762701	Handle-door, white
*	240435601	Nut-anchor, door hdl screw
21A	297197500	Screw, door stop mtg, FH38-16X.750, P Twin
22	216970800	Bearing, hinge w/o'ring, top
22A	297006800	Bearing-hinge, btm, w/o'ring
26	216524200	Gasket, secondary
27	5303212828	Clip, panel mtg
27*	5304406520	Clip, panel mtg kit, (40)
32	5309950074	Valve, breather
37A	215870619	Trim-handle, 2.47", white, w/chrome band
37A*	218676001	Band-decorative, chrome, handle trim
48C	297186400	Bin-door, w/lid
49	297187202	Bin-door, 2-liter
64	216403700	Plug-button, hole filler, door base
72	297186700	Shelf, tilt out, wire
73	216513900	End Cap, shelf, LH, tilt-out
74	216514000	End Cap, shelf, RH, tilt-out
93	5304460605	Screw, ph truss head, 8-18AB x 0.500

CABINET

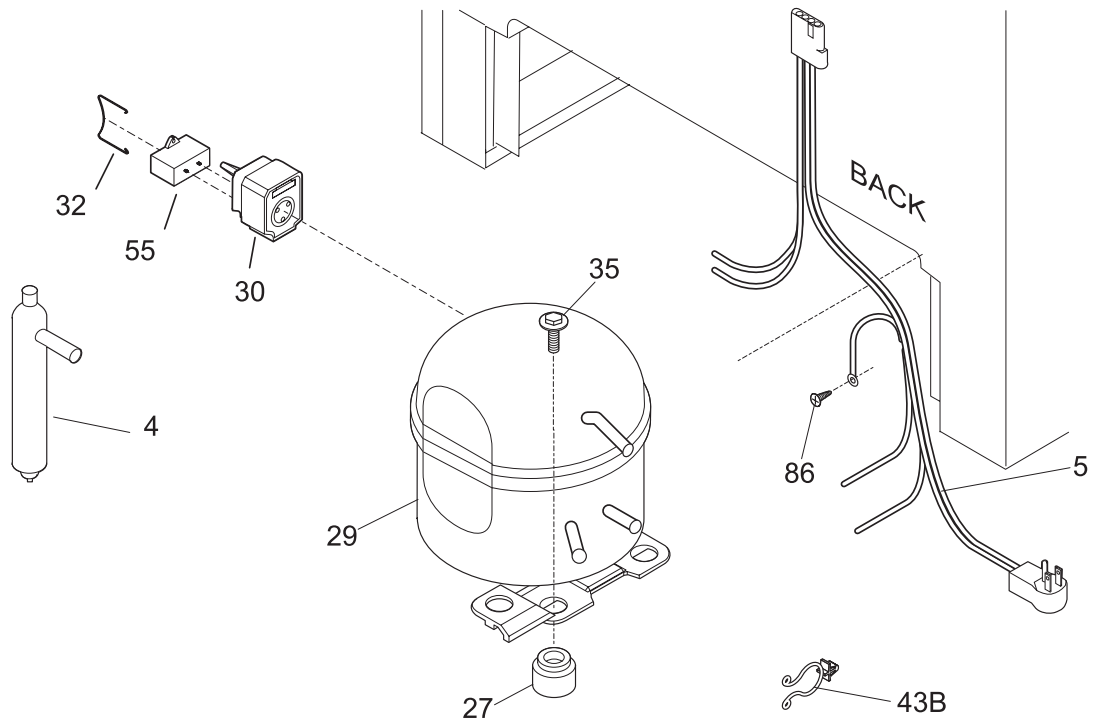
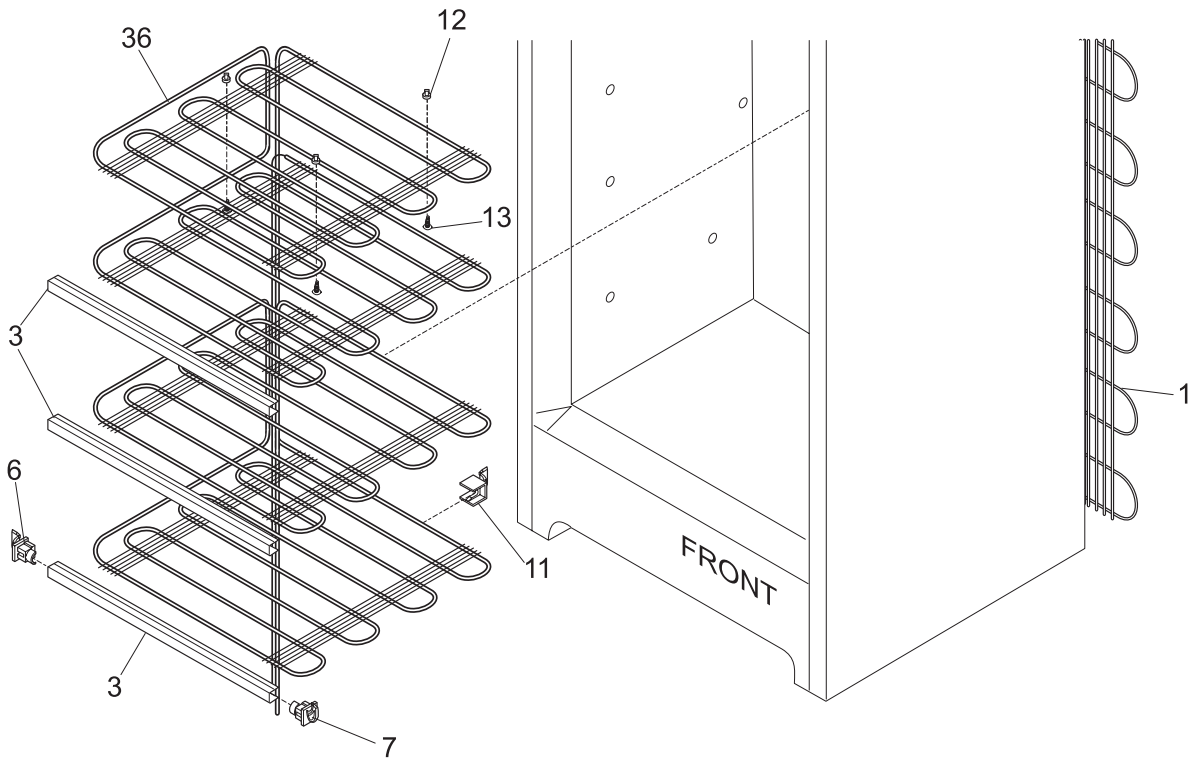


P08C1100

CABINET

POS. NO	PART NO.	DESCRIPTION
3	216502600	Plug, drain, interior
6	297200600	Breaker Kit w/corners, no lock slot
7	297200800	Breaker Kit w/corners, incl lock catch
9	297200100	Breaker Kit w/corners, 32", top and bottom
14	216998000	Switch, light/lamp, ramp
15	216846400	Light Bulb/Lamp
16	297139500	Socket, light/lamp
18	216707200	Knob, temp control
20	297013800	Cover-control housing
21 #	216788100	Control-temperature
22	216823500	Clamp, cap tube, cold control
24	5304460604	Screw, type A, 10-24 x 3/8
26	216503300	Ramp, door closer
28	297240800	Hinge-bottom, stepped pin
29	216313502	Hose-drain
32	5308005500	Drain
34	297184400	Shield-light
35	216273000	Clip, drain hose
37	241611301	Trim-cabinet corner, white, (2)
38	297164300	Hinge-upper
41	240578902	Screw, hex head, 1/4-20 x 5/8
59	297225300	Basket
59A	216486500	Stop-basket, (2)
63	216396900	Screw, leveling foot, plastic, adjustable
68	08009560	Glide-basket
69	5305878546	Bumper-basket
72	297036902	Grille/Kickplate, 32", white
86	216036601	Screw, RWHD, 8-32A x 0.500, GX-CA
93	5304460605	Screw, ph truss head, 8-18AB x 0.500
104	216948401	Light, signal, assy w/bracket
104*	216926700	Shield
*	5303305324	Paint, touch-up, white
*	216795009	Energy Guide
*	297001704	Insulation, 24", drain tube

SYSTEM



P08S0457

SYSTEM

POS. NO	PART NO.	DESCRIPTION
1 #	5300083897	Condenser
3	216847806	Trim-shelf, evaporator
4	216987500	Drier-filter
5 #	297171900	Harness-main, w/light
6	297001600	Support-shelf, front LH
7	297001500	Support-shelf, front RH
11	216474600	Support-rear shelf
12	216225700	Grommet-spacer
13	216138901	Screw, hex sems, 8-18AB x 1.00, evap
27	5308002681	Grommet, compressor
29#	297223300	Compressor, w/o electricals
30	216954216	Controller, compressor
32	216954300	Clip, controller
35	240491503	Screw-compressor mtg, 1/4-28 x 1.16, (4)
36 #	297212000	Evaporator, tubing assy, white
43B	297048400	Clip
55	216985002	Capacitor, run, 12 MF
86	216036601	Screw, RWHD, 8-32A x 0.500, GX-CA
*	216502500	Sleeve, suction line
*	240555002	Screw-#8-32 X 3/8
*	297102800	Spacer-tube
*	297174300	Screw, #8, 18x.63, self pierce
* #	297169900	Cord-power, flat