



Dishwasher

FPHD2481K F

24" Built-In



Product Dimensions

Height (Adjustable)	33-1/2" - 35"
Width	24"
Depth (Including Door)	25"

More Easy-To-Use Features

PowerPlus™ Cycle

For an extra-heavy wash performance.

Largest Silverware Basket³

There's room for over 180 items in our largest, multicompartment silverware basket.

Energy Saver Plus Cycle

Eco-friendly cycle uses less energy without compromising cleaning performance.

DishSense™ Technology

Sensors select the cycle for you based on your cleaning needs.

Quick Clean

Clean dishes faster with Quick Clean.

Pro-Select™ Controls

Easily select options with the touch of a button.

Professional/Solid Dish Racks

Adjustable Upper Dish Rack

Flexible racking system lets you adjust the top rack to fit taller items.

Stay-Put Door

The door stays put at whatever angle you open it.

Most Adaptable Delay Start

1- to 24-hour options.

Low-Rinse Aid Indicator

Signature Features



Best Drying Performance¹

Our PowerPlus™ dry cycle offers the best drying performance!



Quietest Dishwasher in Its Class²

A quiet performance every time.



SpaceWise™ Organization System

Our SpaceWise™ Organization system features adjustable racks and the Largest Silverware Basket³ so there's a place for virtually anything.



Real Stainless Steel

Real stainless steel with a protective coating that reduces fingerprints and smudges so it's easy to clean.

ENERGY STAR®

NSF® International Certification



Available in:



Stainless (F)

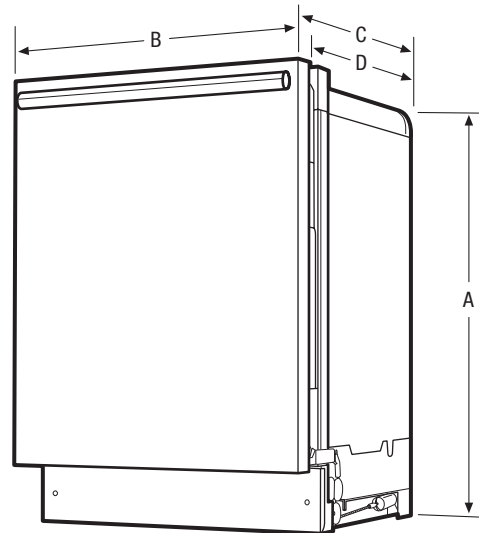
¹Based on industry standard dryability testing using PowerPlus™ Dry.

²Based on published manufacturer specifications for plastic interior dishwashers.

³Among leading brands.

Features	
Control Design	Fully-Integrated Pro-Select™
Digital Display	Yes
Door Latch/Stay-Put Door Hinge Design	Yes/Yes
Low Rinse-Aid Indicator Light	Yes
Interior Design/Interior Color	Tall Tub/GraniteGrey™
Wash System	Direct
Wash Levels/Wash Speeds	5/5
DishSense™ Technology	Yes
Sound Package	SilentDesign™
Filter/Filter Trap	S. Steel/Removable
Soft Food Disposer	Yes
dB Level	52
Drying System	PowerPlus™ Dry
Cycles	
Number of Cycles	7
Heavy	Yes
Normal	Yes
Light	
Quick	Yes
Favorite	Yes
China Crystal	
Rinse Only	Yes
Energy Saver Plus	Yes
Upper Rack Wash Only	Yes
Cycle Indicator Light/Control Lock	No/Yes
Options	
Heat/No Heat Dry	Yes
Hi-Temp Wash	Yes
NSF® Certified Sanitize Rinse	Yes
Delay Start	1-24 Hour
Rack System	
Rack Design	Maximum
Rack Coating	Nylon TufRacks™
Upper Rack -	
Rack Handles	Yes
Stemware/Champagne Glass Holders	Yes
Fold-Down Tines	Yes
Cup Shelves	2
Utensil Tray	Yes
Adjustable Rack Height	Yes
Lower Rack -	
SpaceWise™ Silverware Basket	3-Piece Split
Fold-Down Tines	2 Full Rows
Small Items Cover	3
Certifications	
ENERGY STAR®	Yes
NSF® International Certification	Yes
Specifications	
Water Inlet Location	Left Bottom Front
Water Usage (Gallons)	4.9 - 8.5
Water Pressure (PSI)	20 - 120
Integral Air Gap on Supply	Yes
Leveling Legs	4
Power Supply Connection Location	Right Bottom Front
Voltage Rating	120V / 60 Hz / 15A
Connected Load (kW Rating) @ 120 Volts ¹	1.44
Amps @ 120 Volts	10
Shipping Weight (Approx.)	83

¹ For use on adequately wired 120V, dedicated circuit having 2-wire service with a separate ground wire. Appliance must be grounded for safe operation.



NOTE: For planning purposes only. Always consult local and national electric and plumbing codes. Refer to Product Installation Guide for detailed installation instructions on the web at frigidaire.com.



Product Dimensions	
A - Height (Adjustable)	33-1/2" - 35"
B - Width	24"
C - Depth (Including Door)	25"
D - Depth (To Tub Flange)	22-1/2"
Depth with Door Open 90°	49-1/4"

Cutout Dimensions	
Height (Min.)	34-1/4"
Height (Max.)	35-1/4"
Width (Min.)	24"
Depth (Min.)	24"

Accessories information available on the web at frigidaire.com

FRIGIDAIRE

USA • 10200 David Taylor Drive • Charlotte, NC 28262 • 1-800-FRIGIDAIRE • frigidaire.com
CANADA • 5855 Terry Fox Way • Mississauga, ON L5V 3E4 • 1-800-265-8352 • frigidaire.ca

FPHD2481K 08/10

© 2010 Electrolux Home Products, Inc.

Specifications subject to change.
Printed in the U.S.A.