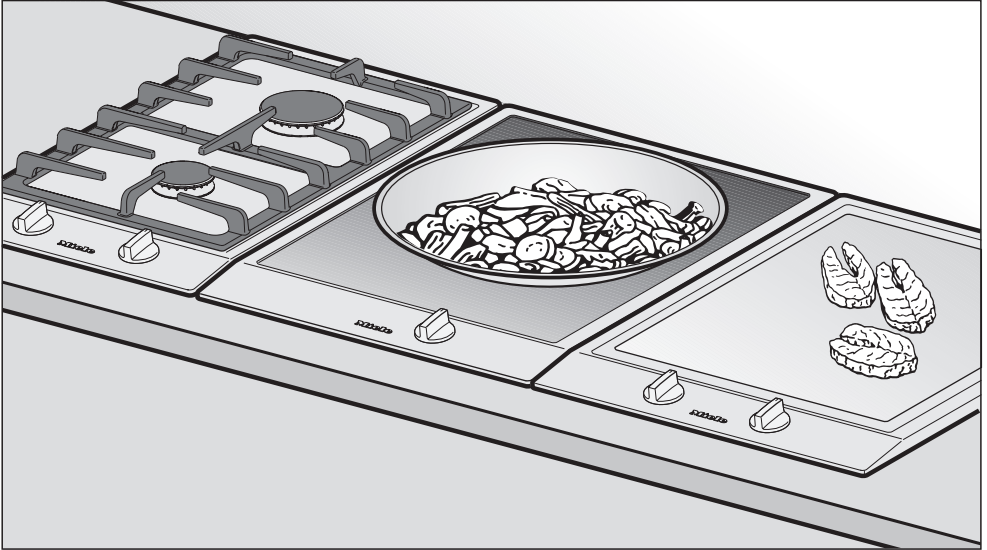


Operating and Installation Instructions



Tepan Yaki CS 1326

To prevent accidents and
appliance damage,
read these instructions

before
installation or use.

en - US

M.-Nr. 07 346 960

Contents

IMPORTANT SAFETY INSTRUCTIONS	3
Guide to the Tepan Yaki	7
Before using for the first time	8
Use	9
Turning On/Off	9
Residual Heat indicator	9
Settings	10
Grilling tips	11
Cleaning and care	12
Frequently asked questions	13
Technical Service	14
IMPORTANT INSTALLATION SAFETY INSTRUCTIONS	18
Installation	21
Installation of multiple appliances	24
Attach the spring clips and support bars	27
Sealing	30
Tiled surfaces	30
Electrical connection	31
Help protect our environment	32

IMPORTANT SAFETY INSTRUCTIONS

WARNING- When using your appliance follow basic precautions, including the following:

Read all instructions before installation or use to prevent injury and appliance damage.

This appliance complies with current safety requirements. Improper use of the appliance can lead to personal injury and material damage.

Keep these instructions in a safe place and pass them on to any future user.

SAVE THESE INSTRUCTIONS

Correct usage

▶ Only use the Tepan Yaki for residential cooking, and for the purposes described in this manual. Other uses are not permitted and can be dangerous.

▶ Persons who lack physical, sensory or mental abilities, or experience with the appliance should not use it without supervision or instruction by a responsible person.

Children

▶ Children should not be left unattended in an area where the appliance is in use. Never allow children to sit or stand on any part of the appliance.

Caution: Do not store items of interest to children in cabinets above the appliance. Children climbing on the appliance to reach these items could be injured.

▶ The appliance is hot during use and remains so for some time after being switched off. Keep children away from the appliance.

▶ Ensure that any packing material, is disposed of safely and kept out of the reach of children. Danger of suffocation!

IMPORTANT SAFETY INSTRUCTIONS

Technical Safety

► Installation, repair and maintenance work should be performed by a Miele authorized service technician. Work by unqualified persons could be dangerous and may void the warranty.

► Be sure your appliance is properly installed and grounded by a qualified technician.

► Before installing the Tepan Yaki, check for externally visible damage. **Do not** operate a damaged appliance.

► Be certain your appliance is properly installed and grounded by a qualified technician. To guarantee the electrical safety of this appliance, continuity must exist between the appliance and an effective grounding system. It is imperative that this basic safety requirement be met. If there is any doubt, have the electrical system of the house checked by a qualified electrician.

► Before installation, make sure that the voltage and frequency listed on the rating label correspond with the household electrical supply. This data must correspond to prevent injury and appliance damage. Consult a qualified electrician if in doubt.

► Do not use an extension cord to connect this appliance to electricity. Extension cords do not guarantee the required safety of the appliance.

► Install the appliance so that the power cord does not come into contact with any portion of the cooktop which may become hot during use.

► Before servicing, disconnect the appliance from the main power supply.

► Do not operate any appliance with a damaged cord or plug, or if the appliance has been damaged in any manner. Contact Miele's Technical Service Department.

► Under no circumstances open the outer casing of the appliance.

► While the appliance is under warranty repairs should only be performed by an authorized service technician. Otherwise the warranty is void.

► In the event of any damage to the appliance, it must be turned off immediately and disconnected from the main power supply. Contact Miele's Technical Service Department. Do not use the appliance until it has been repaired. Ensure power is not supplied to the appliance until repair work is completed.

► Defective components should be replaced by Miele original spare parts only. Only with these parts can the manufacturer guarantee the safety of the appliance.

IMPORTANT SAFETY INSTRUCTIONS

Safety

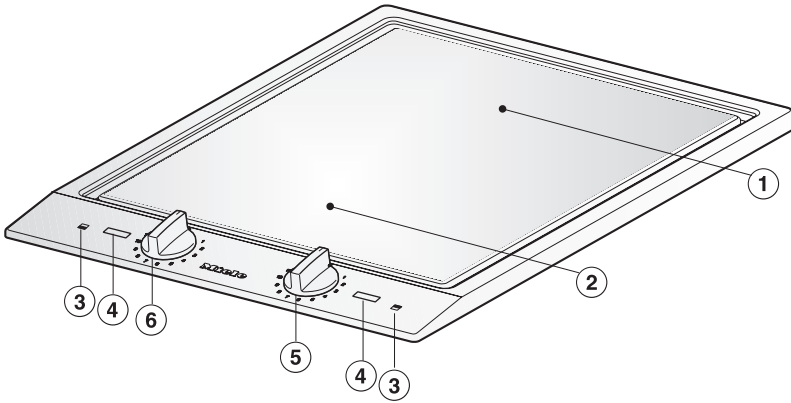
- ▶ The appliance is hot during use and remains so for some time after being switched off. Be careful not to touch the appliance if it may still be hot.
- ▶ Protect your hands with oven mitts or potholders when using the appliance. Use only dry, heat resistant potholders. Moist or damp potholders used on hot surfaces can result in steam burns. Do not let the potholder touch the hot heating elements. Do not use towels or other bulky items near the appliance.
- ▶ Do not heat unopened containers. Built-up pressure may cause the container to burst and result in injury.
- ▶ Never use the appliance to heat a room. Due to the high temperatures radiated, objects left near the appliance could catch fire.
- ▶ Do not use the appliance until it has been properly installed in the countertop.
- ▶ Never leave an appliance unattended at high settings or when cooking with oil or fat. Overheated oil could ignite. Always heat oil slowly, monitoring it as it heats.
- ▶ Do not store aerosols, combustibles or any other easily flammable materials underneath or adjacent to the appliance.
- ▶ Do not use water on grease fires. Smother or use a dry chemical or foam-type extinguisher on any fire or flame.
- ▶ Do not store items on the appliance when not in use. Items could melt or catch fire from residual heat or if the appliance is turned on inadvertently.
- ▶ Never cover the appliance with a cloth. A fire may result.
- ▶ Be aware of loose fitting or hanging garments when operating the appliance, they may present a fire hazard.
- ▶ Make certain that the power cords of small appliances do not come in contact with the appliance. The insulation of the cable could become damaged. Danger of electric shock!
- ▶ To prevent burns and breathing difficulty, allow the appliance to cool before cleaning. Some cleaners may produce toxic fumes if applied to a hot surface.

IMPORTANT SAFETY INSTRUCTIONS

- ▶ When wiping spills on a hot appliance with a wet sponge or cloth, be careful to avoid steam burns.
- ▶ Do not let flammable materials, i.e. cooking grease, accumulate on the appliance.
- ▶ Do not use a steam cleaner to clean this appliance. Steam could penetrate electrical components and cause a short circuit.

**SAVE THESE INSTRUCTIONS
AND REVIEW THEM
PERIODICALLY**

Guide to the Tepan Yaki



- ① Rear heated area
- ② Front heated area
- ③ Cooking zone indicators
- ④ Display
- ⑤ Control knob, rear cooking zone
- ⑥ Control knob, front cooking zone

Indicators



- ⑦ On/Off indicator
- ⑧ Temperature control light
- ⑨ "Residual Heat" indicator

Standard accessories

2 stainless steel spatulas

Before using for the first time

Clean the appliance

- Before using for the first time, clean the appliance with a damp cloth and dry with a soft cloth.

Heat the appliance

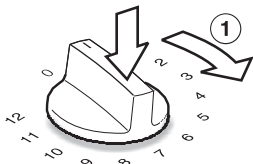
Metal components of the appliance have a protective coating which may give off a slight odor the first time the appliance is heated.

The smell will dissipate after a short time and does not indicate a faulty connection or appliance defect.

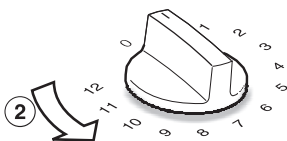
The Tepan Yaki is divided into two heating areas, which can be used and adjusted separately. For large quantities, you can use the entire surface for cooking. For smaller quantities, you can, for example, cook in the front and keep food warm at the back, at a lower setting.

Turning On/Off

- To turn a heating area **on**, press the appropriate control knob down and turn it **clockwise** ① to the desired setting.



- To turn a heating area **off**, turn the appropriate control knob **counterclockwise** ② to "0".



Do not turn a heating area on without pressing the control knob down, and do not turn the knob past "12" to reach "0". This will cause damage.

When the appliance is switched on, the On/Off indicator ■ and temperature control light ① come on. The temperature control light "responds" to the heating element in the appliance, i.e. it only comes on when the Tepan Yaki is actively heating.

Residual Heat indicator

Once switched off, the appliance displays a residual heat indicator.

The indicator turns off once the appliance is cool enough to touch.

Do not touch the burner or rest any objects on the appliance when the residual heat indicator is on. Danger of burns!

Use

Settings

Cooking	Setting Range
Keep cooked foods warm	1 - 2
Sauté fruit, e. g. diced apples, halved peaches, sliced bananas, etc.	2 - 4
Sauté vegetables, e. g. sliced mushrooms, onions, peppers, etc.	5 - 7
Gently pan-fry fish	7 - 9
Quickly pan-fry meat, firm fish, eggs, pancakes, crepes, etc.	9 - 11
Pan-fry shrimp, corn on the cob, etc.	11 - 12


These settings are intended as guidelines only. The cooking time depends on the type, preparation, and thickness of the food item.

Grilling tips

Before each use, wipe the griddle with a damp cloth, to remove dust or other residue.

- It is best to pre-heat the appliance for 8-10 minutes, at the preferred cooking temperature. For power settings 9 to 12, pre-heat at level 12.
- When cooking meat, the appliance should be hot, otherwise too much moisture will be lost from the meat.
- Generally, the appliance requires very little fat or oil for cooking, and none is needed for marinated items. If you are using some fat or oil, do not add it to the appliance until the temperature control light has switched off.
- Only use fats/oils that can tolerate high temperatures.
- To minimize splattering, dry moist foods with a paper towel before cooking.

Cleaning and care

 Do not use a steam cleaner to clean this appliance. Steam could penetrate electrical components and cause a short circuit.


Clean the appliance regularly, preferably after each use. Allow the appliance to cool before cleaning.

- Do not use any sharp or pointed objects which could damage the seal between the frame and the countertop.
- Never use scouring agents, pads, abrasive cleaning agents, or strong cleaners, e.g. grill or oven sprays, stain or rust removers, these could damage the surface of the appliance.
- Avoid cleaning products that contain washing soda, acids/alkali, ammonia, bleach, or lime removers.

- Turn the appliance off, and allow it to cool.
- Place a mild solution of warm water and liquid dish soap on the Tepan Yaki and allow it to soak.
- Remove the built-up debris with a spatula and wipe clean with a damp cloth.
- Thoroughly clean the appliance with a few drops of stainless steel cleaner (available from Miele) using a damp cloth.
- Wipe off the cleaner with water and dry the appliance with a clean, dry cloth.

Do not use stainless steel conditioners on the appliance.

Frequently asked questions

 Repairs should only be carried out by an authorized technician in accordance with local and national safety regulations. Unauthorized repairs could cause injury or appliance damage.

What if the appliance does not heat up after it is turned on?

Possible fault	Solution
The circuit breaker has tripped.	Check whether a fuse is blown. If the problem persists contact Miele.

Technical Service

In the event of a fault which you cannot easily fix yourself, please contact the Miele Technical Service Department at the address on the back of this booklet.

When contacting Technical Service please quote the serial number and model of the appliance.

Adhere rating label sticker supplied with the appliance below.



MieleCare

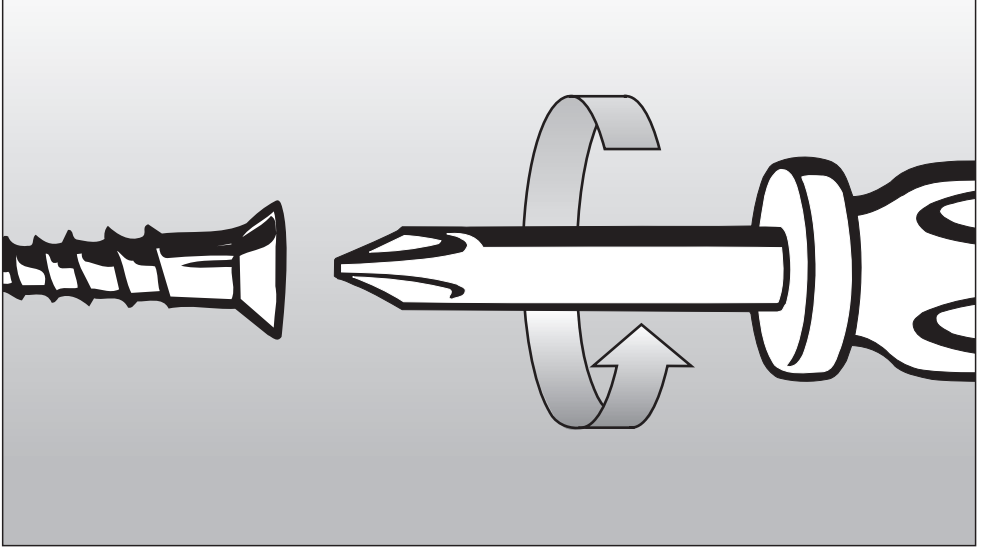
(USA only)

MieleCare, our Extended Service Contract program; gives you the assurance of knowing that your appliance investment is covered by 5 years of worry free ownership.

MieleCare is the only Extended Service Contract in the industry that guarantees repairs by a Miele Authorized Service Provider using genuine Miele parts. Only genuine Miele parts installed by factory trained professionals can guarantee the safety, reliability and longevity of your Miele appliance.

Please note that unless expressly approved in writing by the Miele Service department, Extended Service Contracts offered by other providers for Miele products will not be recognized by Miele. Our goal is to prevent unauthorized (and untrained) service personnel from working on your Miele products, possibly doing further damage to them, you and/or your home.

To learn more about **MieleCare** Extended Service Contracts, please contact your appliance dealer or visit us online at:
<http://miele.com/mielecare>



Installation Instructions

IMPORTANT: SAVE FOR THE LOCAL ELECTRICAL INSPECTOR'S USE

To prevent accidents
and machine damage
read these instructions
before
installation or use.

IMPORTANT INSTALLATION SAFETY INSTRUCTIONS

Note to the installer:

Please leave this instruction book with the consumer for the local electrical inspector's use.

The minimum distances given in these Installation Instructions must be observed in order to ensure safe operation. Failure to do so increases the risk of fire.

The cabinetry and venting hood should be installed first to prevent damage to the appliance.

- ▶ The countertop must be bonded with heat resistant (212°F/100°C) adhesive to prevent distortion or dissolving. Any back splashes must be heat-resistant as well.
- ▶ To eliminate the risk of burns or fire by reaching over heated surfaces cabinet storage space above the appliance should be avoided. If cabinet storage is necessary, the risk can be reduced by installing a venting hood to project horizontally a minimum of 5" (127 mm) beyond the bottom of the cabinets.

▶ This appliance has not been designed for maritime use or for use in mobile installations such as recreational vehicles or aircraft. However, under certain conditions it may be possible for installation in these applications. Please contact the Miele Technical Service Department with specific requirements.

▶ The electrical connection should be arranged in such a way that it remains easily accessible once the appliance has been installed.

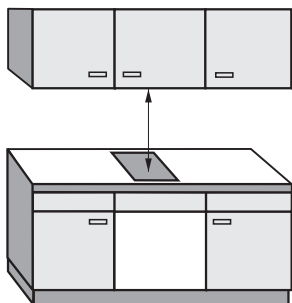
▶ You must ensure the power cable for the appliance will not be subject to any mechanical strain after installation.

▶ The appliance must not be permanently sealed into the countertop when installed. The sealing strip under the edge of the appliance provides a sufficient seal for the countertop. See "Sealing".

Keep this instruction book in a safe place for reference and pass it on to any future user.

IMPORTANT INSTALLATION SAFETY INSTRUCTIONS

Safety distances above the appliance



The minimum safety distance given by the hood manufacturer must be maintained between the cooktop and the hood above it. See the installation instructions of the hood for these safety measurements.

If the hood manufacturers instructions are not available or if flammable objects are installed over the cooktop (e.g. cabinets, utensil rail, etc.), a minimum safety distance of 30" (760 mm) must be maintained.

If there is more than one appliance beneath a hood (e.g. wok burner and electric cooktop), and they have different minimum safety distances always observe the greater distance.

IMPORTANT INSTALLATION SAFETY INSTRUCTIONS

Safety distances to the sides of the appliance

The appliance should only be installed as shown in the illustrations, while maintaining the required safety distances shown. Do not install the appliance between two tall cabinets, this is a fire hazard.

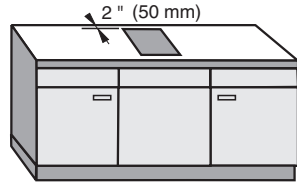
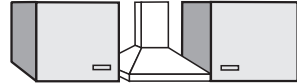
A distance of at least 2" (50 mm) must be kept between the countertop cut-out and the rear wall because of the high temperatures radiated.

The minimum distance required from the countertop cut-out to the side wall ①:

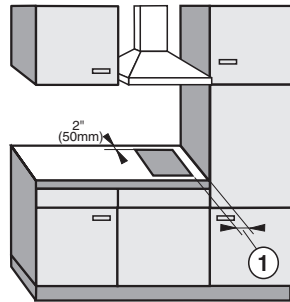
2" (50 mm) for CS 1112
CS 1122
CS 1212
CS 1221
CS 1223
CS 1326
CS 1411

6" (150 mm) for CS 1312
CS 1322
CS 1421

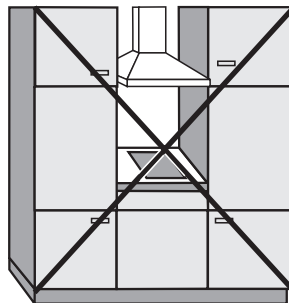
10" (250 mm) for CS 1011
CS 1012
CS 1028



recommended



not recommended

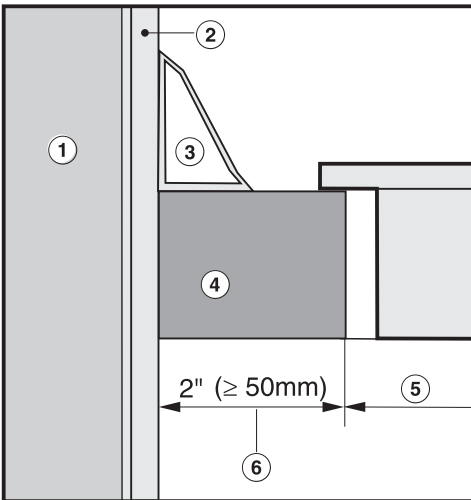


not permitted

Safety distance when installing the appliance near a wall with trim or a back splash

A minimum distance of 2" (50 mm) between the trim or back splash and the countertop cut-out if required.

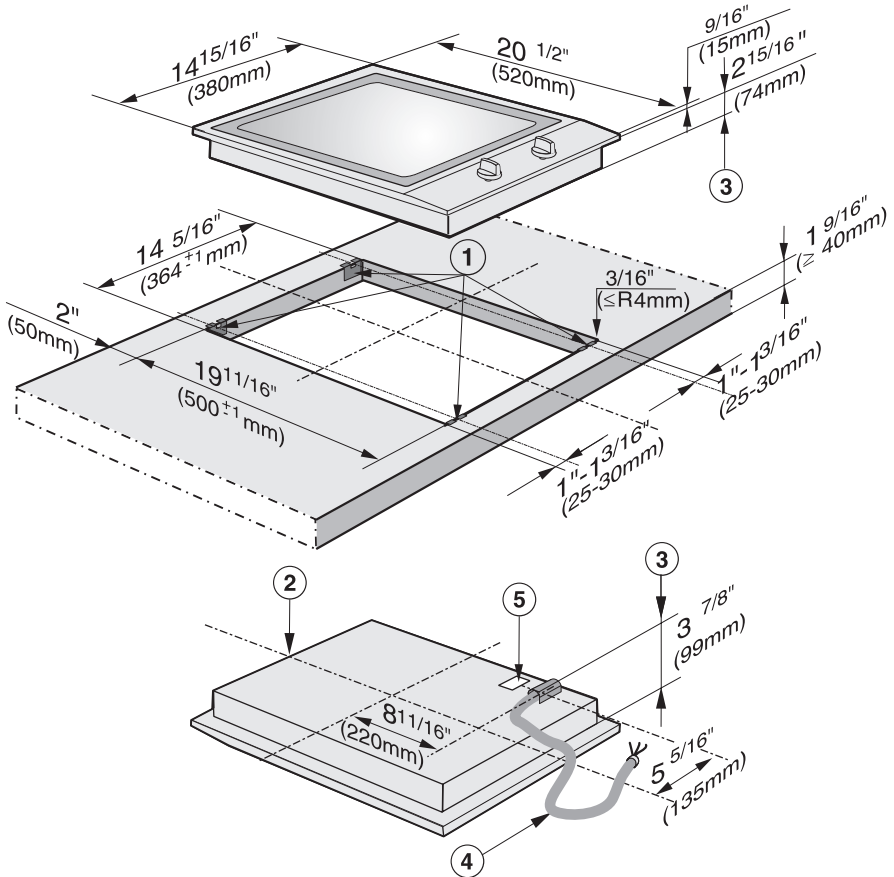
This distance is only necessary if these items are made of combustible materials e.g. wood. If the trim or back splash is made of a non-combustible material, the required safety distance can be reduced by the thickness of the wall covering material.



- ① Wall frame
- ② Sheet rock or wall board
- ③ Trim or back splash
- ④ Countertop
- ⑤ Countertop cut-out
- ⑥ 2" (50 mm) minimum clearance

Installation

Installation dimensions



- ① Spring clips
- ② Appliance front
- ③ Installation height
- ④ Power supply box with connection cable, L = $78 \frac{3}{4}''$ (2000 mm)
- ⑤ Rating label

Cut out

- Make the countertop cut-out for the desired number of appliances. Remember to maintain a **minimum safety distance** from the **back wall**, as well as from any **tall unit or side wall** to the left or right of the combiset.
See also the "IMPORTANT INSTALLATION SAFETY INSTRUCTIONS".
- Seal the cut surfaces with a suitable sealant to avoid swelling caused by moisture.
The materials used must be heat resistant.

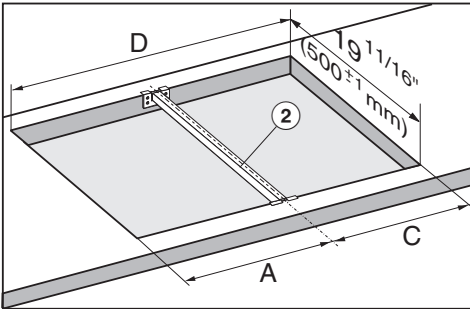
If during installation the seal around the frame does not sit flush with the countertop in the corners, the corner radius, maximum $\frac{3}{16}$ " (4 mm), can be carefully filed down to fit.

Installation

Installation of multiple appliances

When installing more than one combiset appliance, a support bar ② must be installed between the appliances.

Countertop cut-out two appliances

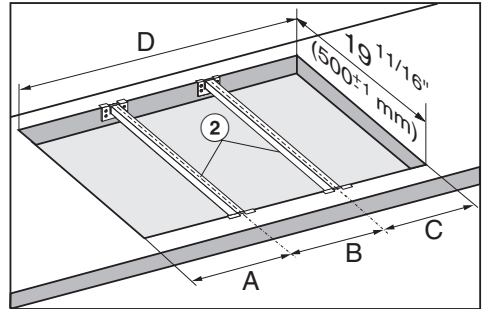


For the installation of **two appliances** the width of the countertop cut-out D is the sum of A and C.

A, B and C = appliance width
11 5/16", 15" or 22 11/16"
(288 mm, 380 mm or 576 mm)
minus 5/16" (8 mm) to allow for the overhang

D = width of the countertop cut-out

Countertop cut-out three appliances



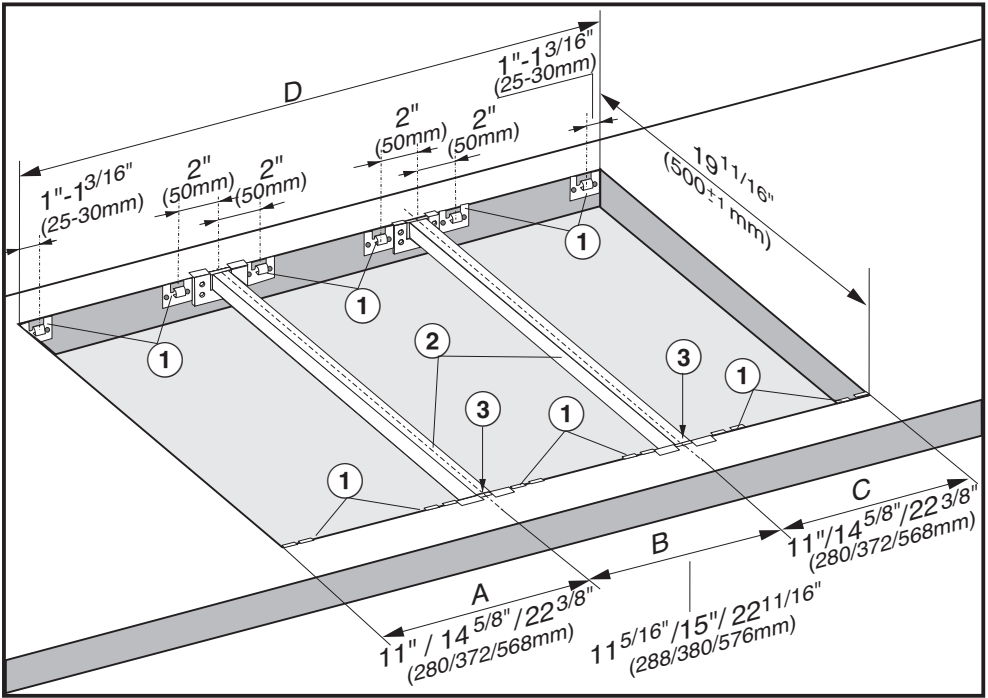
For the installation of **three appliances** the width of the countertop cut-out D is the sum of A and B and C.

If **more than three appliances** are being installed, you will need to add, A, B or C for each additional appliance.

Sample calculations for a countertop cut-out for three appliances

A appliance width minus 5/16" (8 mm)	B appliance width	C appliance width minus 5/16" (8 mm)	D Countertop cut-out
11" (280 mm)	11 5/16" (288 mm)	11" (280 mm)	33 3/8" (848 mm)
11" (280 mm)	15" (380 mm)	14 5/8" (372 mm)	40 5/8" (1032 mm)
11" (280 mm)	22 11/16" (576 mm)	22 3/8" (568 mm)	56 1/16" (1424 mm)
14 5/8" (372 mm)	11 5/16" (288 mm)	11" (280 mm)	37" (940 mm)
14 5/8" (372 mm)	15" (380 mm)	14 5/8" (372 mm)	44 1/4" (1124 mm)
14 5/8" (372 mm)	22 11/16" (576 mm)	22 3/8" (568 mm)	59 11/16" (1516 mm)
22 3/8" (568 mm)	11 5/16" (288 mm)	11" (280 mm)	44 3/4" (1136 mm)
22 3/8" (568 mm)	15" (380 mm)	14 5/8" (372 mm)	52" (1320 mm)
22 3/8" (568 mm)	-	22 3/8" (568 mm)	44 3/4" (1136 mm)

Installation

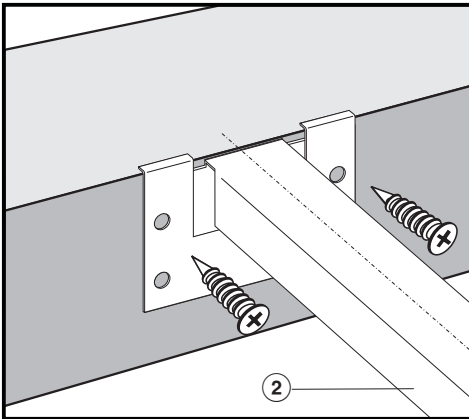
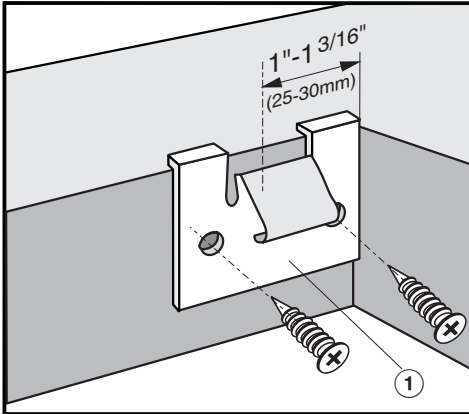


- ① Spring clips
- ② Support bars
- ③ Space between support bar and countertop

An additional support bar is required for each additional appliance. The position for attachment of an additional spacing strip depends on the width of the appliance **B**.

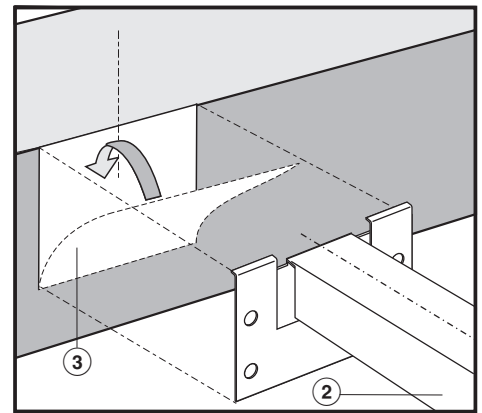
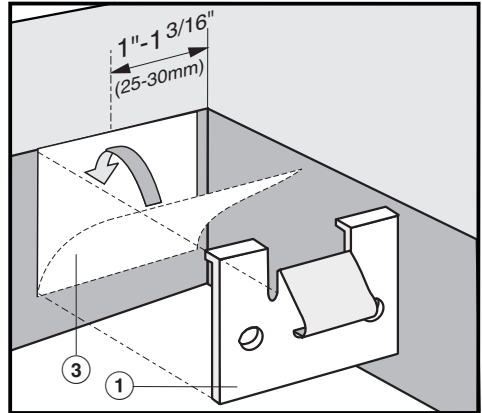
Attach the spring clips and support bars

Wood or solid surface countertops



- Place the supplied spring clips ① and the support bars ② at the marked positions as shown above, by laying them on the upper edge of the cut-out and then securing them with the $\frac{1}{8}$ " x 1" (3.5 x 25 mm) screws (supplied).

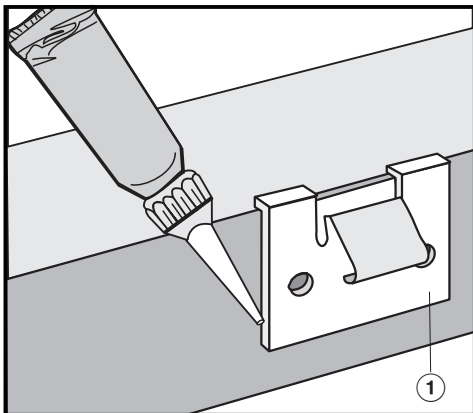
Granite countertop



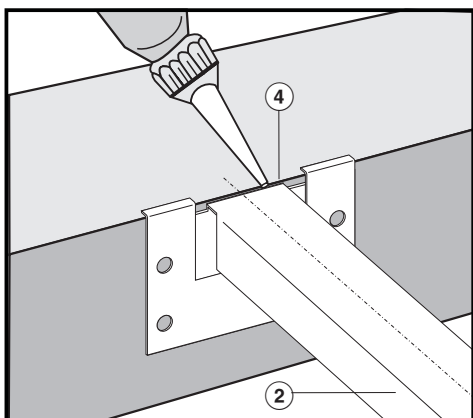
- Position and attach the spring clips ① and support bars ② with strong, double-sided tape ③.

The screws are not needed for granite countertops.

Installation



- Coat the edges of the spring clips,



- and the space ④ between the strips and the countertop with silicone (supplied).

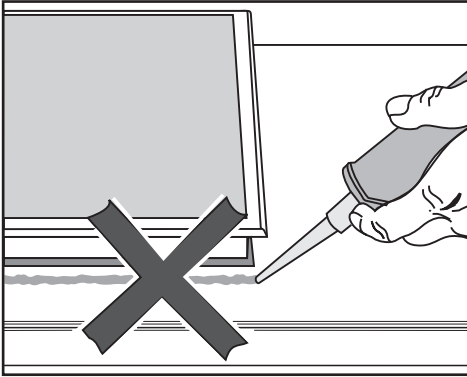
Installing the appliance

- Feed the power cord down through the cut-out.
- Then place the front side of the appliance in the countertop cut-out.
- Then with a hand on each side of the appliance press down evenly on the edges until it clicks into position. When doing so make sure that the appliance seal sits tightly on the countertop to ensure it is sealed correctly. **Do not** permanently seal into the countertop.
- Connect the appliance to the main power supply.
- Turn the appliance on and check the function.

The appliance can be lifted out using a special tool.
The appliance can also be pushed up and out from underneath.
Note: the rear will need to be pushed out first.

Installation

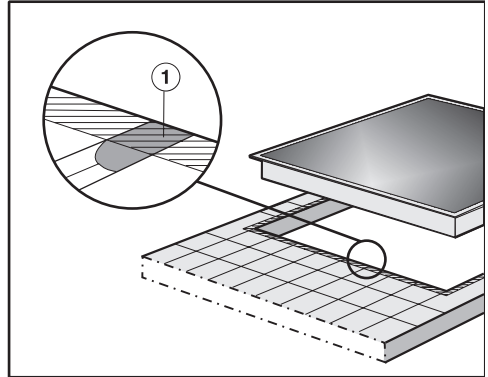
Sealing




The appliance must not be permanently sealed into the countertop when installed. The sealing strip under the edge of the appliance provides a sufficient seal for the countertop.

If the appliance is sealed into position, the countertop or appliance could be damaged if it needs to be removed for maintenance or service.

Tiled surfaces



The grouting ① and shaded area under the appliance frame must be flat and even so that the frame will lie evenly and the sealing strip under the edge of the upper part of the appliance can provide an adequate seal against the countertop.

 **CAUTION:** Before installation or servicing, disconnect the power supply by either removing the fuse, shutting off the main power or manually "tripping" the circuit breaker.

Installation work and repairs should only be performed by a qualified technician in accordance with all applicable codes and standards. Repairs and service by unqualified persons could be dangerous.

Before connecting the appliance to the power supply, make sure that the voltage and frequency listed on the rating label correspond with the household electrical supply. This data must correspond to prevent appliance damage. Consult an electrician if in doubt.

Only operate the appliance after it has been installed into the countertop.

Installer:
Please leave these instructions with the consumer.

Power supply

- Be sure your electrical supply matches the rating label.

The rating label is located on the underside of the appliance.

The combiset is equipped with a power cord encasing 3 wires ready for connection to a grounded power supply.

They must be connected to a dedicated line through the use of an approved junction box.

Black : connect to L1 (hot)

Red: connect to L2 (hot)

Green: connect to GND (ground):

240 V, 60 Hz, 15 A fuse rating

Be sure the power outlet is accessible after installation.

For further information, see the wiring diagram provided with the appliance.

 **WARNING:**
THIS APPLIANCE MUST BE GROUNDED!

Help protect our environment

Disposal of packing materials

The cardboard box and packing materials are biodegradable and recyclable. Please recycle.

Ensure that any plastic wrappings, bags, etc. are disposed of safely and kept out of the reach of children.

Danger of suffocation!

Disposal of an old appliance

Old appliances contain materials that can be recycled. Please contact your local recycling authority about the possibility of recycling these materials.

Before discarding an old appliance disconnect it from the electrical supply and cut off the power cord to prevent it from becoming a hazard.

**Please have the model and serial number
of your appliance available before
contacting Technical Service.**



**U.S.A.
Miele, Inc.**

National Headquarters

9 Independence Way
Princeton, NJ 08540
Phone: 800-843-7231
609-419-9898
Fax: 609-419-4298
www.miele.com

**Technical Service & Support
Nationwide**

Phone: 800-999-1360
Fax: 888-586-8056
TechnicalService@mieleusa.com

**Canada
Miele Limited**

Headquarters and Showroom

161 Four Valley Drive
Vaughan, ON L4K 4V8
Phone: 800-643-5381
905-660-9936
Fax: 905-532-2290
www.miele.ca
info@miele.ca (general enquiries)
professional@miele.ca (commercial
enquiries)

MieleCare National Service

Phone: 800-565-6435
905-532-2272
Fax: 905-532-2292
customercare@miele.ca (technical
enquiries)