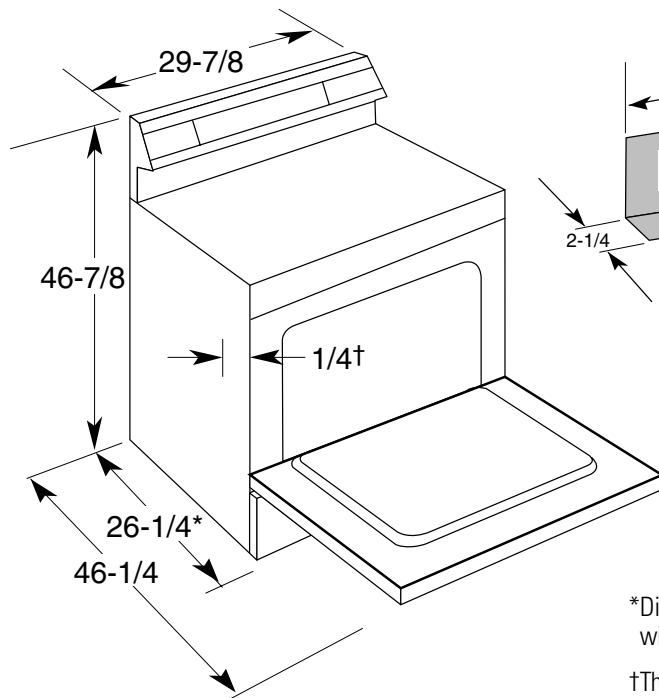




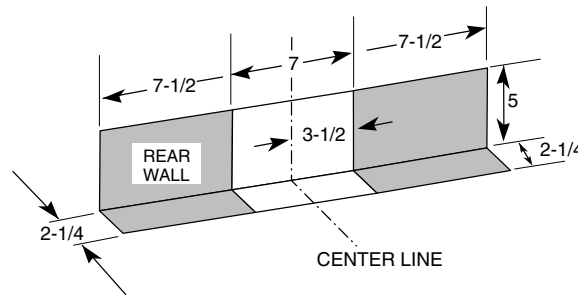
GE Appliances

JBS27SH – GE® 30" Free-Standing Electric Range

Dimensions (in inches)



For all 30" Free-Standing Range models with coil heating elements



*Dimension from wall to front of closed oven door without handle.

†The range may be placed with a 0" clearance (flush) at the back wall and side walls if the range side trims extend beyond the cabinet fronts at least 1/4". Self Clean models only.

| KW Rating | |
|--------------|------|
| 240V | 12.6 |
| 208V | 9.9 |
| Breaker Size | |
| 40 Amps† | |

†Note: Check local codes for required breaker size.

Effective January 1, 1996, the National Electrical Code requires that new construction (not existing) utilize a 4-conductor connection to an electric range.

Receptacle Locations

Locally approved flexible service cord or conduit must be used because terminals are not accessible after range installation. See shaded area in drawing for location of electrical outlet box. Recommended outlet locations allow range to be installed directly against wall.

Note: 30" Ranges conform to U.L. requirements for 0" spacing for adjacent walls below countertops. Allow 1-1/2" spacing from the side of the range to adjacent vertical walls above the cooktop surface.

Installation Information: Before installing, consult installation instructions packed with product for current dimensional data.



All GE ranges are equipped with an Anti-Tip device. The installation of this device is an important, required step in the installation of the range.

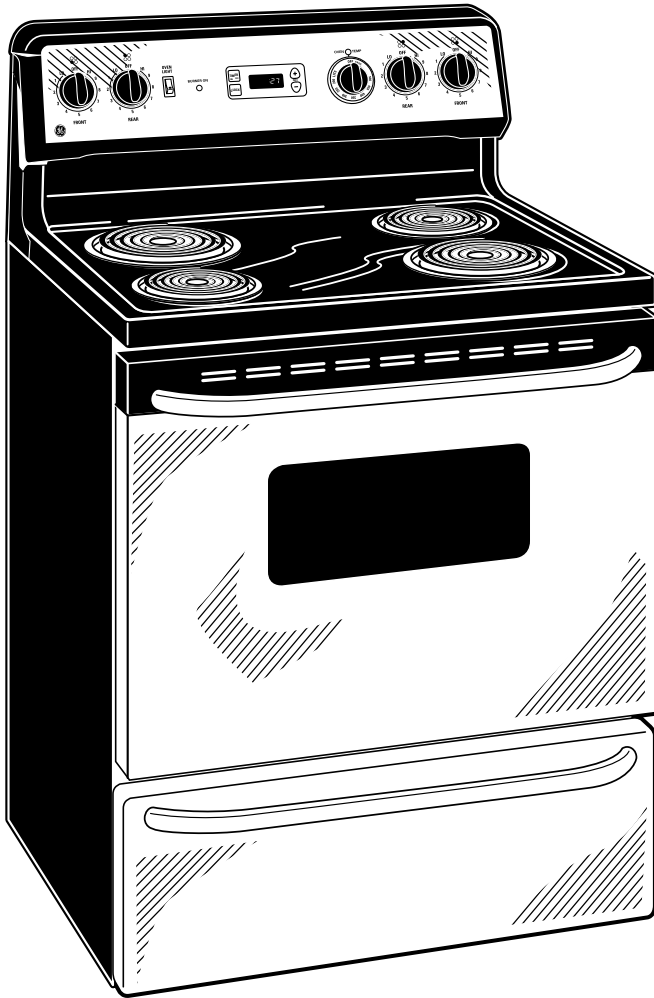


Listed by Underwriters Laboratories



GE Appliances

JBS27SH – GE® 30" Free-Standing Electric Range



Features and Benefits

- Super-Large Oven Capacity – Provides an impressively large oven interior for cooking more dishes and large meals at one time.
- Coil Heating Elements – Provides consistent and even heat on the cooktop with a plug-in element that is removable for easy cleaning.
- ClearView™ Window – Features a convenient viewing area to check the progress of food.
- Dual Element Bake – Alternates the upper broiling element and the lower baking element for even heating and optimal baking results.
- Electronic Clock and Timer – Features a convenient digital clock and easy-to-use timer with an audible signal to help coordinate cooking times in the kitchen.
- Frameless Glass Oven Door – Offers an easy-to-clean and stylish design that blends seamlessly into existing cabinetry.
- Drip Bowls – Contains minor spills and are removable for easy cleaning.
- Model JBS27WHWW – White on white (white door and white cooktop)
- Model JBS27CHCC – Bisque on bisque (bisque door and bisque cooktop)
- Model JBS27BHBB – Black on black (black door and black cooktop)
- Model JBS27SHSS – Stainless steel (stainless steel door and control panel/ black cooktop)

Specification Revised 11/05

321685