



C9GGXU

Free-Standing Gas Range, 36",
Stainless Steel

EAN13: 8017709119553

AISI 304 stainless steel

Ergonomic control knobs

Storage compartment beneath the oven

5" Polished stainless steel backsplash

Gas Oven

Gas Convection mode

Broil mode

Defrost mode

Air cooled triple glazed removable door

Halogen oven lights

Oven capacity: 4.1 Cu. Ft

Gas broil element: 19,000 BTU

Gas bake element: 18,000 BTU

Gas Rangetop

Heavy duty cast iron grates

Full width grates

Sealed burners

Automatic electronic ignition

Safety valves

LP Gas conversion kit included

6 Gas burners:

Front right: 6,200 BTU rapid burner

Back right: 10,000 BTU rapid burner

Front center: 3,400 BTU burner

Back center: 15,000 = 3,000 (inner) + 12,000

(outer) BTU double inset super burner

Front left: 6,200 BTU burner

Back left: 3,400 BTU burner

Connected load (nominal power): 120V- 100W

Amp supply required @ 120V: 1

Gas inlet location: back right lower



Accessories Included:

2 Baking trays

1 Broiler rack

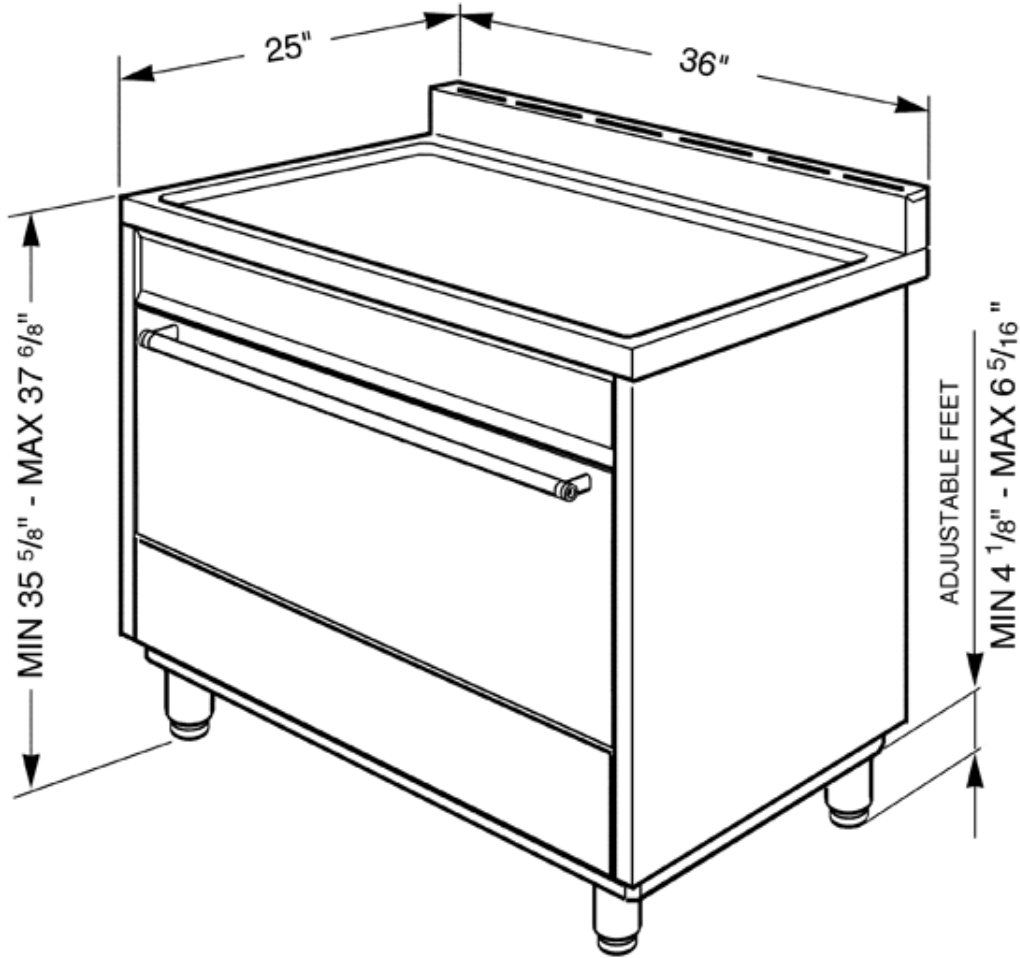
1 Wok ring

**SMEG U.S.A. INC.
A&D BUILDING
150 EAST 58th STREET, 7th FLOOR
NEW YORK, NY, 10155
Tel. +1 212 265 5378
Fax +1 212 265 5945**



C9GGXU

concert
36"
stainless steel
cooktops type: gas
oven type: gas



SMEG U.S.A. INC.
A&D BUILDING
150 EAST 58th STREET, 7th FLOOR
NEW YORK, NY, 10155
Tel. +1 212 265 5378
Fax +1 212 265 5945