



ELECTRIC COOKTOPS

MASTERPIECE® SERIES

Excellent performance, precise control and a sleek elegant profile are just a few of the benefits of these reengineered electric cooktops. The exclusive Sensor Dome™ system monitors the temperature of foods to ensure perfect cooking results every time. Our 13-inch element is the industry's largest and most powerful electric round element, and our CookSmart® system offers nine pre-programmed settings to effortlessly cook a wide range of foods. With a variety of new state-of-the-art features, Masterpiece® Series Electric Cooktops allow you to elevate your cooking to levels never imagined.

ELECTRIC COOKTOPS FEATURES & BENEFITS



SENSOR DOME™

Because the sensor constantly monitors the temperature and can automatically adjust the heat level, you can be sure that your meals are being cooked perfectly. This is the answer to deep frying food, cooking rice and simmering delicate sauces.

THERMADOR EXCLUSIVE



BRIDGE ELEMENT

Only Thermador offers a bridge element that incorporates a dual-zone element. Use the bridge element to heat oblong pans and the dual-zone element to heat pans of different diameters.

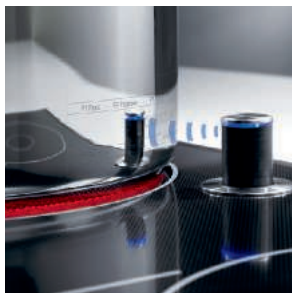
THERMADOR EXCLUSIVE



LARGEST ELECTRIC ELEMENT ON THE MARKET

This huge element is the widest and most powerful round electric element on the market, with 4,000 watts of power for faster heat-up and three zones to efficiently heat a variety of pot sizes, such as a 16" skillet (e.g. accessory CHEFSPAN13-16" pan which fits perfectly on the 13" element.)

THERMADOR EXCLUSIVE



HOW IT WORKS

This unique retractable sensor utilizes an infrared beam that continuously measures the heat from the cookware. The sensor cycles the element on and off to maintain the precise temperature needed. The result is time savings combined with superior cooking performance — without the guesswork or the need to constantly adjust the temperature.

THERMADOR EXCLUSIVE



THERMADOR SENSOR DOME POTS

Special Thermador Sensor Dome pots are available to order as accessories. These pots are optimized for CookSmart Sensor Cooking and work with electric, gas and induction technology. They are ergonomically designed for easy handling, ovenproof and heat-insulated for improved energy savings.

COOKSMART®

Never guess at cooking time or temperature again. With 9 pre-programmed modes and auto-shutoff, you'll get perfect results every time you cook. Cooking modes: pasta, potatoes, rice, dumplings, vegetables, sausages, milk, rice pudding, deep frying.

THERMADOR EXCLUSIVE



TOUCH CONTROL

The handsome control panel gives you immediate access to 17 power settings, a keep warm, fast preheat and a panel lock function.

ELECTRIC COOKTOPS PLANNING INFORMATION

MODEL OPTIONS

There are two sizes of Masterpiece® Electric Cooktops to choose from—30-inch and 36-inch. Models are available with mechanical controls and touch controls in a variety of cooktop configurations to fit your client's cooking style. In addition, you can choose models with our exclusive Sensor Dome™ system which monitors the temperature of foods to ensure perfect cooking results every time. Be sure to reference the correct model information in this design guide.

INSTALLATION CONSIDERATIONS

The information in this design guide provides key features, product dimensions, cutouts and installation specifications. Before installing a Thermador Masterpiece Electric Cooktop, be sure to verify the cutout dimensions and electrical connections. Also, always consult with the installation manual packed with the product for complete details before installing.

Thermador Masterpiece Electric Cooktops may be installed above a Thermador Single Built-in Oven as long as there is no contact between the bottom of the cooktop and the top of the oven.

Thermador Masterpiece Electric Cooktops may also be installed above a Thermador Warming Drawer to create a convenient cooking center. Refer to the warming drawer section for additional specifications.

Solid surface countertops require a special cutout size and installation. For example, heat reflective tape or rounded corners may be necessary. Contact the countertop manufacturer for instructions specific to your countertop.

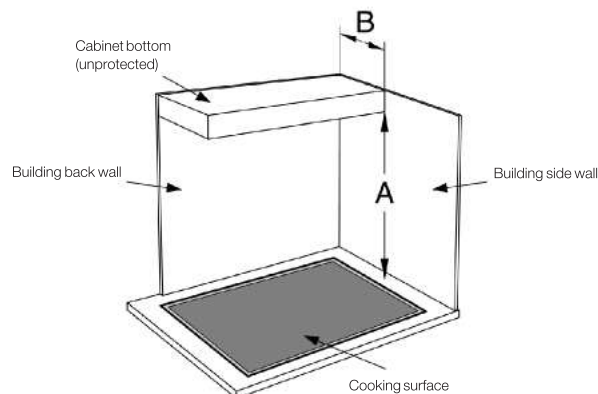
We strongly recommend the installation of a Thermador Ventilation System with all Masterpiece Electric Cooktops. Refer to the ventilation section for specifications.

WARRANTY

Limited warranty parts and labor (1 year)

Limited warranty for glass ceramic surface/electronic elements and switches; Parts only (2nd to 5th year)

See page 294 for additional warranty details.



ELECTRICAL SPECIFICATIONS

Be sure your appliance is properly installed and grounded by a qualified technician. Installation, electrical connections and grounding must comply with all applicable local codes.

All Thermador Electric Cooktops are dual rated, designed to be connected to either 240/208V AC, 60 Hz, 3 wire, single-phase power supply.

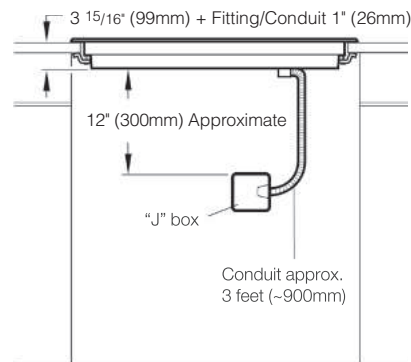
Install a suitable conduit box (not furnished). An appropriately-sized, UL-listed conduit connector must be used to correctly attach the conduit to the junction box.

MODEL	REQUIRED CIRCUIT BREAKER	
	240V, 3 Wire, 60 Hz	208V, 3 Wire, 60 Hz
CEM304FS	40 Amp	30 Amp
CES304FS	40 Amp	30 Amp
CET304FS	40 Amp	30 Amp
CEM365FS	40 Amp	40 Amp
CES365FS	50 Amp	40 Amp
CES366FS	50 Amp	40 Amp
CET366FS	50 Amp	40 Amp

Important: Local Codes may vary; installation, electrical connections and grounding must comply with all applicable local codes. If required by the National Electrical Code (or Canadian Electrical Code), this appliance must be installed on a separate branch circuit.

ELECTRICAL LOCATION

The junction box must be located within 3 feet (~900 mm) of the cooktop connection. It should be easily accessible for service purposes.



CABINET REQUIREMENTS

The distance from the top of the cooktop to the bottom of the cabinets above it must be A = 30" (762 mm) minimum. This distance can be reduced to A = 24" (610 mm) when the bottom of the wood or metal cabinet is protected by not less than 1/4" (6.35 mm) flame retardant millboard, covered by no. 28 steel sheet 0.015 (.4 mm) thick stainless steel, 0.024" (0.6 mm) aluminum, or 0.020" (0.5 mm) thick copper, at a minimum. Verify that the cabinets above the cooktop are a maximum of B = 13" (330 mm) deep.

COOKTOPS 30-INCH ELECTRIC

Models: CEM304FS, CET304FS



MASTERPIECE

CEM304FS

Mechanical Controls



MASTERPIECE

CET304FS

Touch Controls

CEM304FS

PERFORMANCE

- Dual element offers the capability to use multiple pan sizes

DESIGN

- Heavy-duty, high quality metal knobs
- Full stainless steel frame
- Trapezoid design control panel

SAFETY

- 2-level digital control panel indicates when elements are still hot

CET304FS

PERFORMANCE

- Triple element offers the capability to use multiple pan sizes
- Dual element offers the capability to use multiple pan sizes

DESIGN

- Touch control panel with blue light illumination offers 17 power settings
- Full stainless steel frame
- Trapezoid design control panel

CONVENIENCE

- Keep Warm function allows meals to remain ready to serve

SAFETY

- 2-level digital control panel indicates when elements are still hot

SPECIFICATIONS

	CEM304FS	CET304FS
Total Number of Cooktop Elements	4	
Product Width	31"	
Product Depth	21 1/4"	
Cutout Width	28 3/4" - 28 7/8"	
Cutout Height	3 15/16"	
Minimum Air Clearance	1/4"	
Cutout Depth	19 7/8" - 20"	
Minimum Distance from Counter Front	2 1/4"	
Minimum Distance from Rear Wall	2 3/4"	
Left Front Element	6" @ 1,200W	
Right Front Element	7" @ 1,800W	5" / 7" @ 700 / 1,700 W
Left Rear Element	6" / 9" @ 1,100 / 2,500 W	
Right Rear Element	5" / 8" @ 750 / 2,200 W	5" / 7" / 9" @ 900 / 1,600 / 2,500 W
Center Element	N/A	
Electrical Supply	240/208V AC, 60 Hz	
Required Circuit Breaker	40 Amp / 30 Amp	
Conduit	38" Flexible 3-Wire	
Shipping Weight (lbs.)	34	36

COOKTOPS 30-INCH ELECTRIC

Model: CES304FS



MASTERPIECE

CES304FS

Touch Controls,
Sensor Dome™, CookSmart®

SPECIFICATIONS

Total Number of Cooktop Elements	4
Product Width	31"
Product Depth	21 1/4"
Cutout Width	28 3/4" - 28 7/8"
Cutout Height	3 15/16"
Minimum Air Clearance	1/4"
Cutout Depth	19 7/8" - 20"
Minimum Distance from Counter Front	2 1/4"
Minimum Distance from Rear Wall	2 3/4"
Left Front Element	6" @ 1,200W
Right Front Element	5" / 7" @ 700 / 1,700W
Left Rear Element	6" / 8" / 12" @ 1,000 / 2,200 / 3,000 W
Right Rear Element	7" @ 1,800 W
Center Element	N/A
Electrical Supply	240/208V AC, 60 Hz
Required Circuit Breaker	40 Amp / 30 Amp
Conduit	3/8" Flexible 3-Wire
Shipping Weight (lbs.)	36

CES304FS

PERFORMANCE

- Sensor Dome™ – retractable sensor measures the heat of the pot and keeps the temperature consistent
- CookSmart® – 9 pre-programmed cooking modes
- Dual zone bridge element accommodates oblong pans and multiple diameter sizes
- Triple element offers the capability to use multiple pan sizes
- Dual element offers the capability to use multiple pan sizes

DESIGN

- Touch control panel with blue light illumination offers 17 power settings
- Full stainless steel frame
- Trapezoid design control panel

CONVENIENCE

- Auto Shutoff Timer enables the user to set desired cooking time
- Fast Preheat mode - accelerates the heating process - for quicker results
- Keep Warm function allows meals to remain ready to serve

SAFETY

- 2-level digital control panel indicates when elements are still hot

ACCESSORIES



SENSORPOT7

Hard material, high-gloss surface (harder than steel, cut and scratch proof, extremely durable, no loss of shine, dishwasher-safe). 7" Sensor Pot, 3.8 qt., two handles and lid.



SENSOR STRIPS

12 sensor strip stickers for non-enameled and non-sensor cookware.

INSTALLATION OPTIONS

INSTALLATION ABOVE A WALL OVEN OR WARMING DRAWER

Thermador Masterpiece® Electric Cooktops may be installed above a Thermador Single Built-in Oven as long as there is no contact between the bottom of the cooktop and the top of the oven.

Thermador Masterpiece Electric Cooktops may also be installed above a Thermador Warming Drawer to create a convenient cooking center. Refer to the warming drawer section for additional specifications.

IMPORTANT

We strongly recommend the installation of a Thermador Ventilation System with all Masterpiece Electric Cooktops.

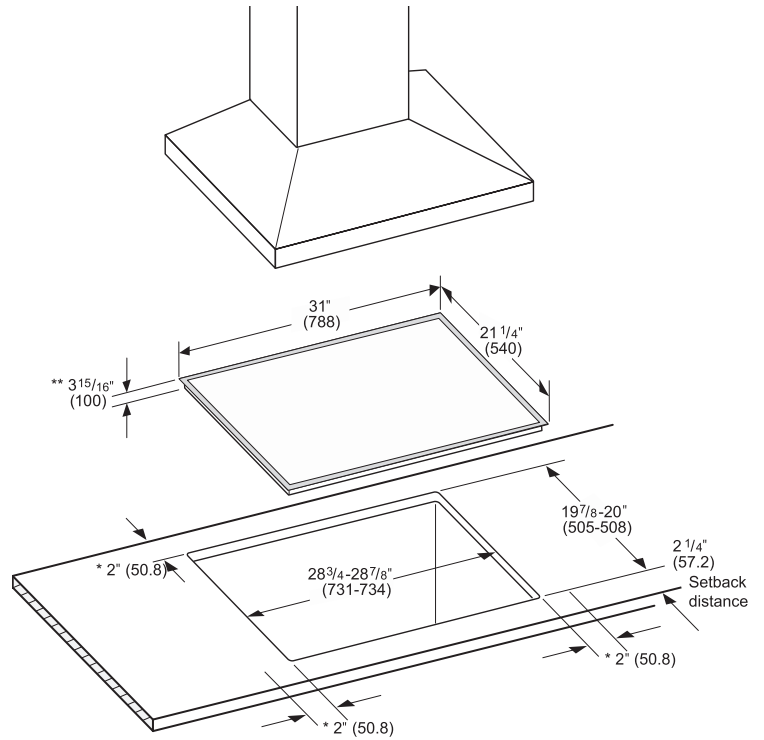
Seal the surfaces of the cutout to make them heat resistant. This prevents the surfaces from expanding as a result of humidity.

Solid surface countertops require a special cutout and installation. For example, heat reflective tape or rounded corners may be necessary. Contact the countertop manufacturer for instructions specific to your countertop.

WARNING

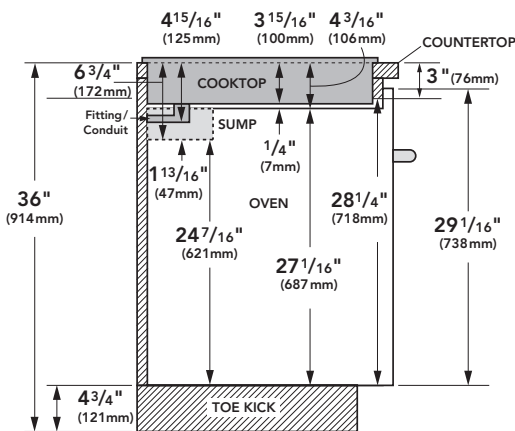
To reduce the risk of ignition of nearby combustible materials, install the countertop with a minimum distance of 2" (51mm) from both side walls and the back wall.

30-INCH ELECTRIC COOKTOP AND CUTOUT DIMENSIONS



* minimum distance from cutout to the wall
 ** installed depth

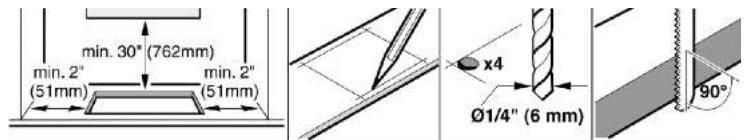
INSTALLATION ABOVE A THERMADOR BUILT-IN OVEN



Note: Dimensions based on standard countertop height (36" with 4 3/4" toe kick including base plate).

The built-in oven can be installed below the electric cooktop as long as there is no contact between the bottom of the cooktop and the top of the oven.

COUNTERTOP REQUIREMENTS



COOKTOPS 36-INCH ELECTRIC

Models: CEM365FS, CET366FS



MASTERPIECE

CEM365FS

Mechanical Controls



MASTERPIECE

CET366FS

Touch Controls

CEM365FS

PERFORMANCE

- Dual element offers the capability to use multiple pan sizes

DESIGN

- Heavy-duty, high quality metal knobs
- Full stainless steel frame
- Trapezoid design control panel

SAFETY

- 2-level digital control panel indicates when elements are still hot

CET366FS

PERFORMANCE

- Dual zone bridge element accommodates oblong pans and multiple diameter sizes
- Triple element offers the capability to use multiple pan sizes
- Dual element offers the capability to use multiple pan sizes

DESIGN

- Touch control panel with blue light illumination offers 17 power settings
- Full stainless steel frame
- Trapezoid design control panel

CONVENIENCE

- Keep Warm function allows meals to remain ready to serve

SAFETY

- 2-level digital control panel indicates when elements are still hot

SPECIFICATIONS

	CEM365FS	CET366FS
Total Number of Cooktop Elements	5	6
Product Width	37"	
Product Depth	21 1/4"	
Cutout Width	34 3/4" - 34 7/8"	
Cutout Height	3 15/16"	
Minimum Air Clearance	1/4"	
Cutout Depth	19 7/8" - 20"	
Minimum Distance from Counter Front	2 1/4"	
Minimum Distance from Rear Wall	2 3/4"	
Left Front Element	5" / 8" @ 750 / 2,200 W	6" / 9" @ 1,100 / 2,500 W
Right Front Element	7" @ 1,800 W	5" / 7" @ 700 / 1,700 W
Left Rear Element	6" @ 1,200 W	
Right Rear Element	7" @ 1,800 W	7" @ 1,700 W (600 W Bridge)
Center Element	6" / 9" @ 1,100 / 2,500 W	6" / 8" / 12" @ 1,000 / 2,200 / 3,000 W
Electrical Supply	240/208V AC, 60 Hz	
Required Circuit Breaker	40 Amp / 40 Amp	50 Amp / 40 Amp
Conduit	38" Flexible 3-Wire	
Shipping Weight (lbs.)	40	42

COOKTOPS 36-INCH ELECTRIC

Models: CES365FS, CES366FS



MASTERPIECE

CES365FS

Touch Controls,
Sensor Dome™, CookSmart®

MASTERPIECE

CES366FS

Touch Controls
Sensor Dome™, CookSmart®

SPECIFICATIONS

	CES365FS	CES366FS
Total Number of Cooktop Elements	5	6
Product Width	37"	
Product Depth	21 1/4"	
Cutout Width	34 3/4" - 34 7/8"	
Cutout Height	3 15/16"	
Minimum Air Clearance	1/4"	
Cutout Depth	19 7/8" - 20"	
Minimum Distance from Counter Front	2 1/4"	
Minimum Distance from Rear Wall	2 3/4"	
Left Front Element	5" / 7" @ 700 / 1,700 W	6" / 8" @ 1,000 / 2,200 W
Right Front Element	6" / 8" @ 1,000 / 2,200 W	5" / 7" @ 700 / 1,700 W
Left Rear Element	5" / 7" @ 700 / 1,700 W	6" @ 1,200 W
Right Rear Element	6" @ 1,200 W	7" @ 1,700 W (600 W Bridge)
Center Element	8" / 11" / 13" @ 2,000 / 3,000 / 4,000	5" / 7" / 9" @ 900 / 1,600 / 2,500 W
Electrical Supply	240/208V AC, 60 Hz	
Required Circuit Breaker	50 Amp / 40 Amp	
Conduit	38" Flexible 3-Wire	
Shipping Weight (lbs.)	43	

ACCESSORIES

PREMIUM SENSOR POTS

SENSORPOTH, SENSORPOT6, SENSORPOT7, SENSORPOT9 Hard material, high-gloss surface (harder than steel, cut and scratch proof, extremely durable, no loss of shine, dishwasher-safe).



SENSORPOTH

6" Sensor Pot, 1.4 qt., long handle and lid.



SENSORPOT7

7" Sensor Pot, 3.8 qt., two handles and lid. For use with CES366FS only.



CHEFSPAN13

16" Skillet for 13" Element on CES365FS cooktop.



SENSORPOT6

6" Sensor Pot, 2.0 qt., two handles and lid.



SENSORPOT9

9" Sensor Pot, 7.0 qt., two handles and lid. For use with CES366FS only.



SENSOR STRIPS

12 sensor strip stickers for non-enameled and non-sensor cookware.

CES365FS

PERFORMANCE

- Sensor Dome™ – retractable sensor measures the heat of the pot and keeps the temperature consistent
- CookSmart® – 9 pre-programmed cooking modes
- Largest (13") and most powerful (40,00W) round heating element on the market
- Triple element offers the capability to use multiple pan sizes
- Dual element offers the capability to use multiple pan sizes

DESIGN

- Touch control panel with blue light illumination offers 17 power settings
- Full stainless steel frame
- Trapezoid design control panel

CONVENIENCE

- Auto Shut Off Timer enables the user to set desired cooking time
- Fast Preheat mode – accelerates the heating process – for quicker results
- Keep Warm function allows meals to remain ready to serve

SAFETY

- 2-level digital control panel indicates when elements are still hot

CES366FS

PERFORMANCE

- Sensor Dome™ – retractable sensor measures the heat of the pot and keeps the temperature consistent
- CookSmart® – 9 pre-programmed cooking modes
- Dual zone bridge element accommodates oblong pans and multiple diameter sizes
- Triple element offers the capability to use multiple pan sizes
- Dual element offers the capability to use multiple pan sizes

DESIGN

- Touch control panel with blue light illumination offers 17 power settings
- Full stainless steel frame
- Trapezoid design control panel

CONVENIENCE

- Auto Shut Off Timer enables the user to set desired cooking time
- Fast Preheat mode – accelerates the heating process – for quicker results
- Keep Warm function allows meals to remain ready to serve

SAFETY

- 2-level digital control panel indicates when elements are still hot

