

## Factory Parts Catalog

Product No.	E36WV100FS
Market	North America
Color	stainless steel
Exhaust-CFM	1000 CFM
Volts	120
Owner's Guide	5995465563
Installation Instructions	5995465563
Wiring Diagram	8877



Electrolux Major Appliances  
North & Latin America  
P.O. BOX 212378  
AUGUSTA, GA 30917

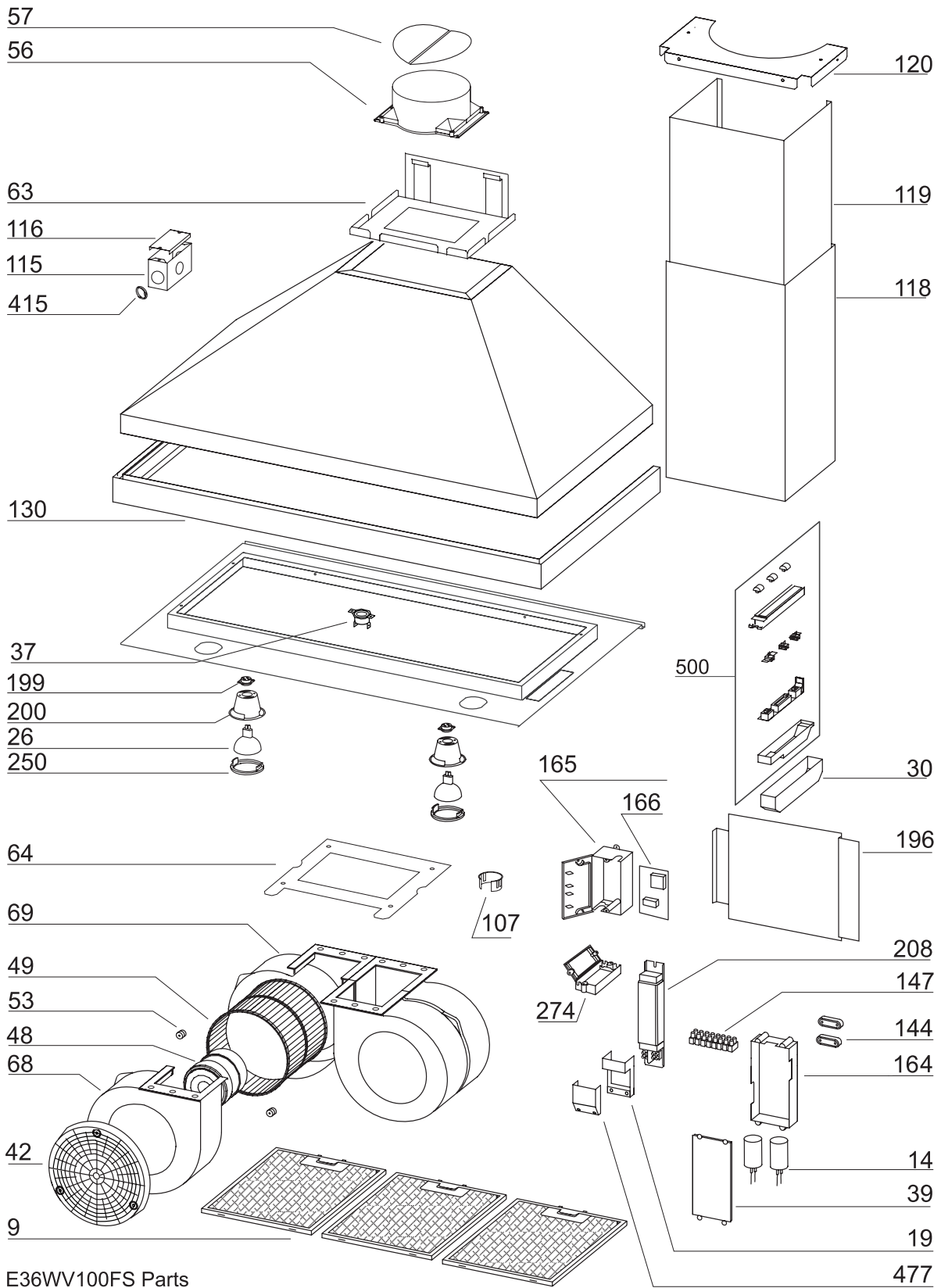
Publication No.  
**5995465902**  
06/05/04  
(EN/SERVICE/KC)  
099

### RANGE HOOD

Model No.  
E36WV100F

Copyright © 2006 Electrolux Home Products, Inc.  
All rights reserved.

### REPLACEMENT PARTS



E36WV100FS Parts

## REPLACEMENT PARTS

---

POS. NO	PART NO.	DESCRIPTION
9 #	5304455737	Filter, grease, aluminum
14 #	5304454900	Capacitor, motor
19	5304454950	Bracket, transformer, protector
26	5304455738	Lamp, halogen
30	5304455739	Cover, switch assembly
37 #	5304455740	Thermostat, Heat Sentry
39	5304454954	Cover, electrical box
42	5304455741	Grille, filter support
48 #	5304455742	Motor, blower
49 #	5304455031	Blower Wheel, fan
53	5304454958	Washer, motor mount, rubber
56	5304455743	Connector, damper/duct
57	5304455744	Damper, flap
63	5304455745	Bracket, hood, upper
64	5304455746	Bracket, hood, lower
68	5304455747	Housing, blower, right side
69	5304455748	Housing, blower, left side
107	5304455012	Clamp, cable stop
115	5304455749	Wiring Box
116	5304455018	Cover, wiring box
118	5304455750	Chimney, duct cover, lower flue
119	5304455751	Chimney, duct cover, upper flue
120	5304455752	Bracket, chimney mount, top flue
130	5304455753	Trim, hood, bottom
144	5304454982	Clamp, wiring
147	5304455754	Clamp, wiring, junction
164	5304455947	Electrical Box, capacitor
165	5304454989	Electrical Box
166#	5304455948	Control Board, printed circuit
196	5304455755	Bracket, support, electrical box
199	5304455756	Insulator, ceramic, lamp housing
200	5304455757	Housing, lamp receptacle
208#	5304454992	Transformer
250	5304455049	Ring Nut, lamp retainer
274	5304455009	Fuse box
415	5304455949	Bushing, wiring box
477	5304455950	Cover, terminal, transformer
500#	5304455952	Switch Assembly, controls
* #	5304455332	Fuse, 5 x 20 mm, 4 Amp, 125 V
*	5304455333	Fuse Holder
*	5304455951	Installation Kit, mtg. hardware

### WIRING DIAGRAM

