

Frigidaire

Factory Parts Catalog

Product No.	FGB24T3EBD	FGB24T3ESD
	38454412B5064	38454412B5014
Series	24" double gas	24" double gas
Color	black	white
Market	North America	North America
Wiring Diagram	318046309	318046309
Owner's Guide	318200958	318200958
Installation Instructions	318201554	318201554
Timer Guide	318200144	318200144



Electrolux Major Appliances
 North & Latin America
 P.O. BOX 212378
 AUGUSTA, GA 30917

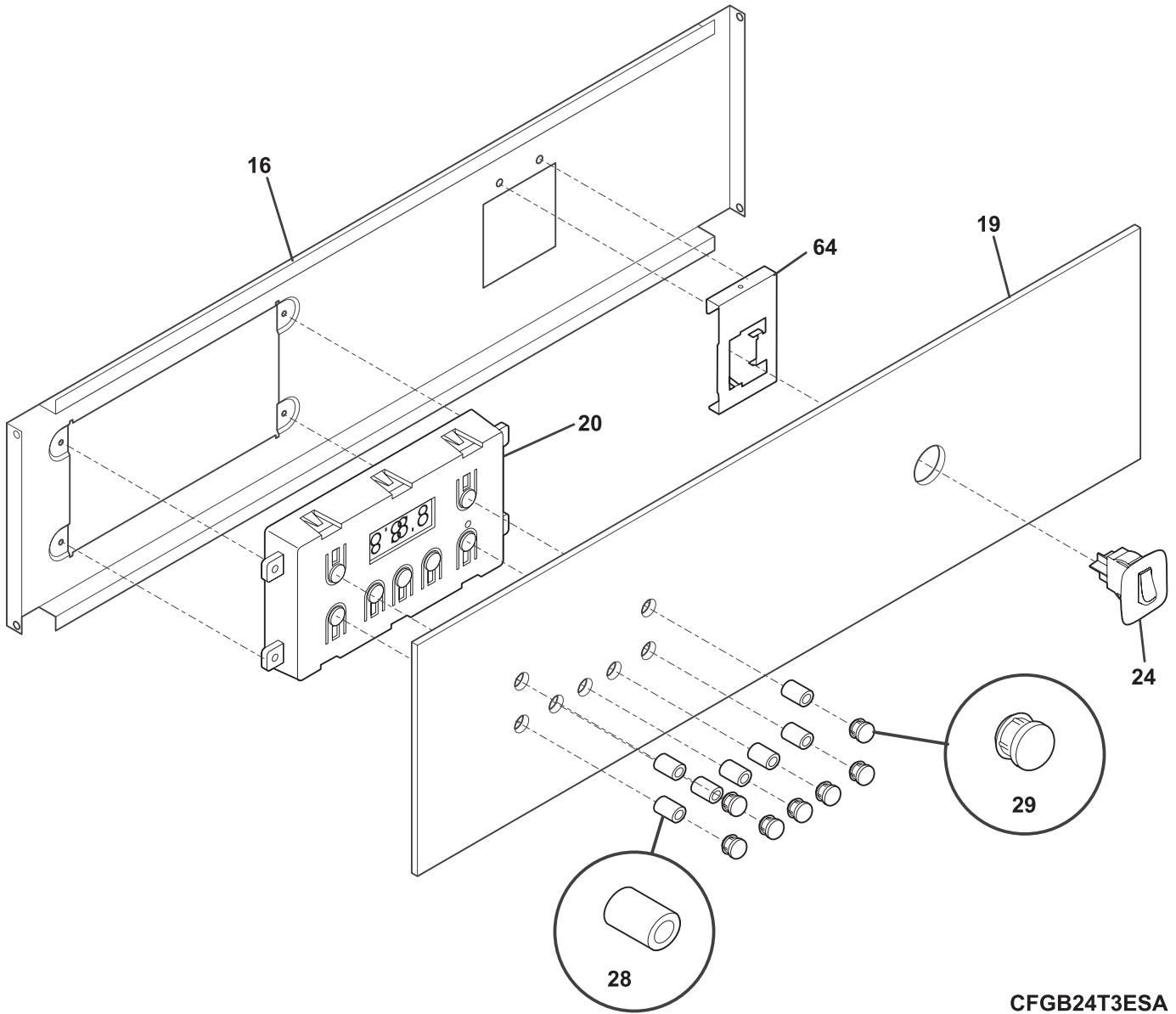
Publication No.
5995489860
 07/05/01
 (EN/SERVICE/ECL)
 377

**DOUBLE GAS WALL
 OVEN**

**Model No.
 FGB24T3E**

Copyright © 2007 Electrolux Home Products, Inc.
 All rights reserved.

CONTROL PANEL



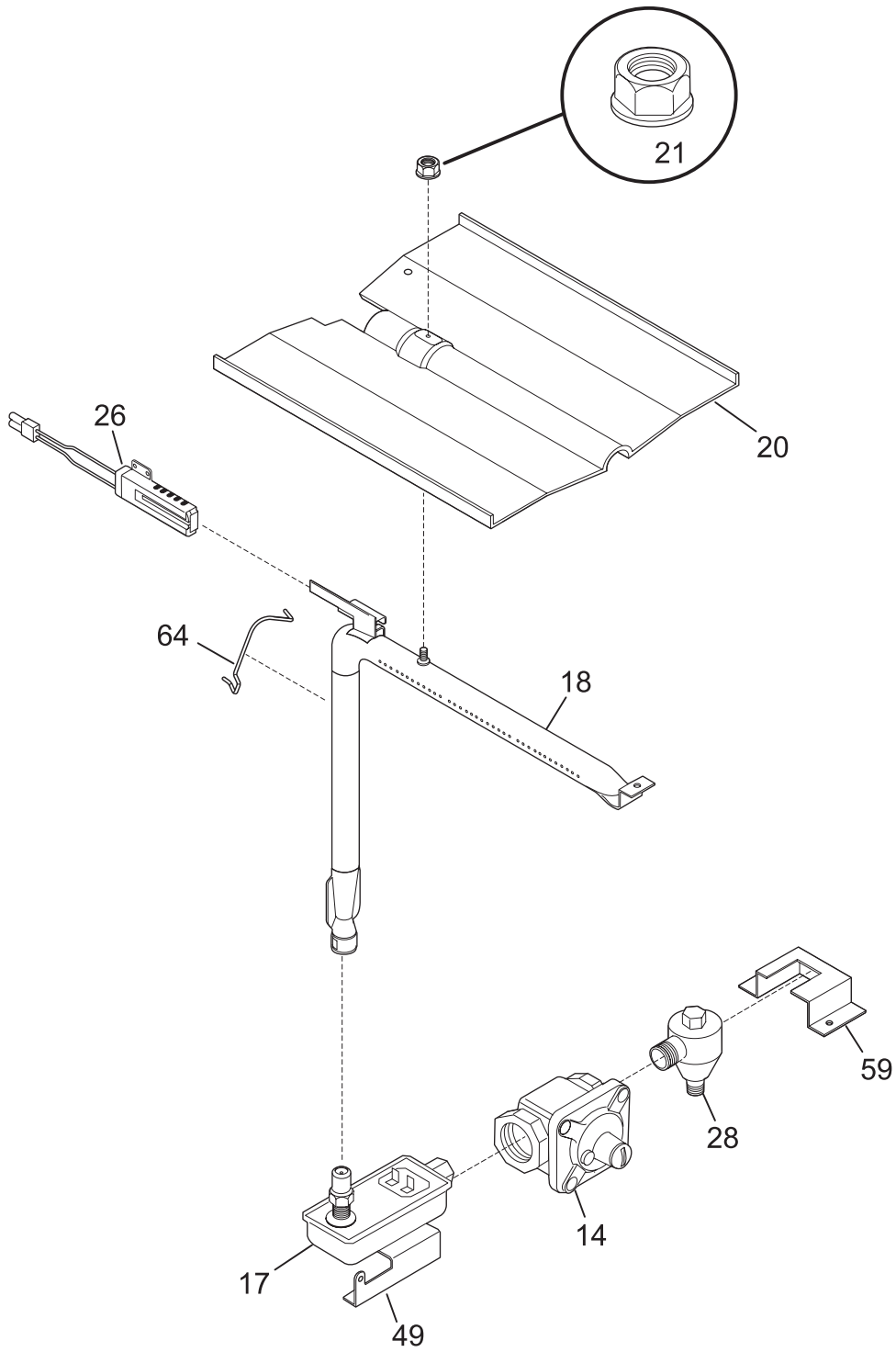
CFGFB24T3ESA

CONTROL PANEL

Model Index: A FGB24T3E (FGB24T3ESD)
 B FGB24T3E (FGB24T3EBD)

POS. NO	PART NO.		DESCRIPTION
16	318116906	A B	Plate, instrument mtg
19	318212504	A -	Glass, control panel, white
19	318212505	- B	Glass, control panel, black
20 #	316455461	A B	Clock/Timer, electronic, ES100
*	08016432	A B	Screw, truss head, 8-18 x 0.375
24 #	316090901	A -	Switch, oven light, white
24 #	316090900	- B	Switch, oven light, black
28	5304410865	A B	Tube, timer knob
29	318017710	A -	Knob, clock/timer, white
29	318017711	- B	Knob, clock/timer, black
64	318110700	A B	Bracket, light switch
*	5303211311	A B	Screw, 8 x 0.500

BURNER



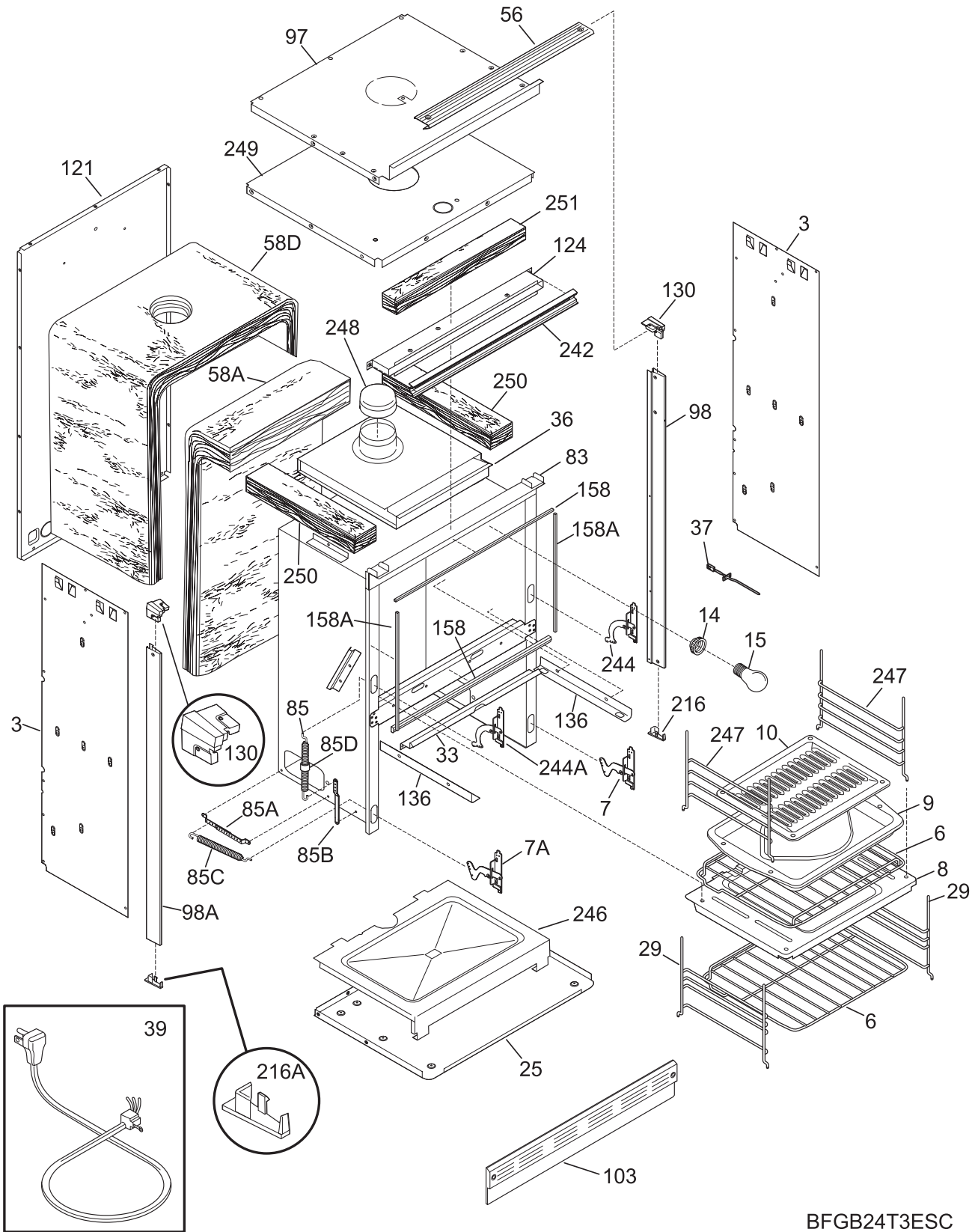
LA00BR84410-1

BURNER

Model Index: A FGB24T3E (FGB24T3ESD)
 B FGB24T3E (FGB24T3EBD)

POS. NO	PART NO.		DESCRIPTION
14 #	5303210167	A B	Regulator, pressure
17 #	5303210156	A B	Valve, safety
18 #	5303207603	A B	Burner, oven
20	5303317122	A B	Baffle, oven burner
21	3201885	A B	Nut, Keps, 10-24
26 #	318177710	A B	Ignitor, oven burner
28 #	5303295305	A B	Valve, shut off
49	5303317124	A B	Bracket, safety valve
59	5303317123	A B	Bracket, safety valve, support
64	5303295303	A B	Retainer, oven burner
*	5303211311	A B	Screw, 8 x 0.500
*	5303311333	A B	Screw, 8-32 x 3/8
*	5303323135	A B	Screw, 10 x 1-7/8

BODY



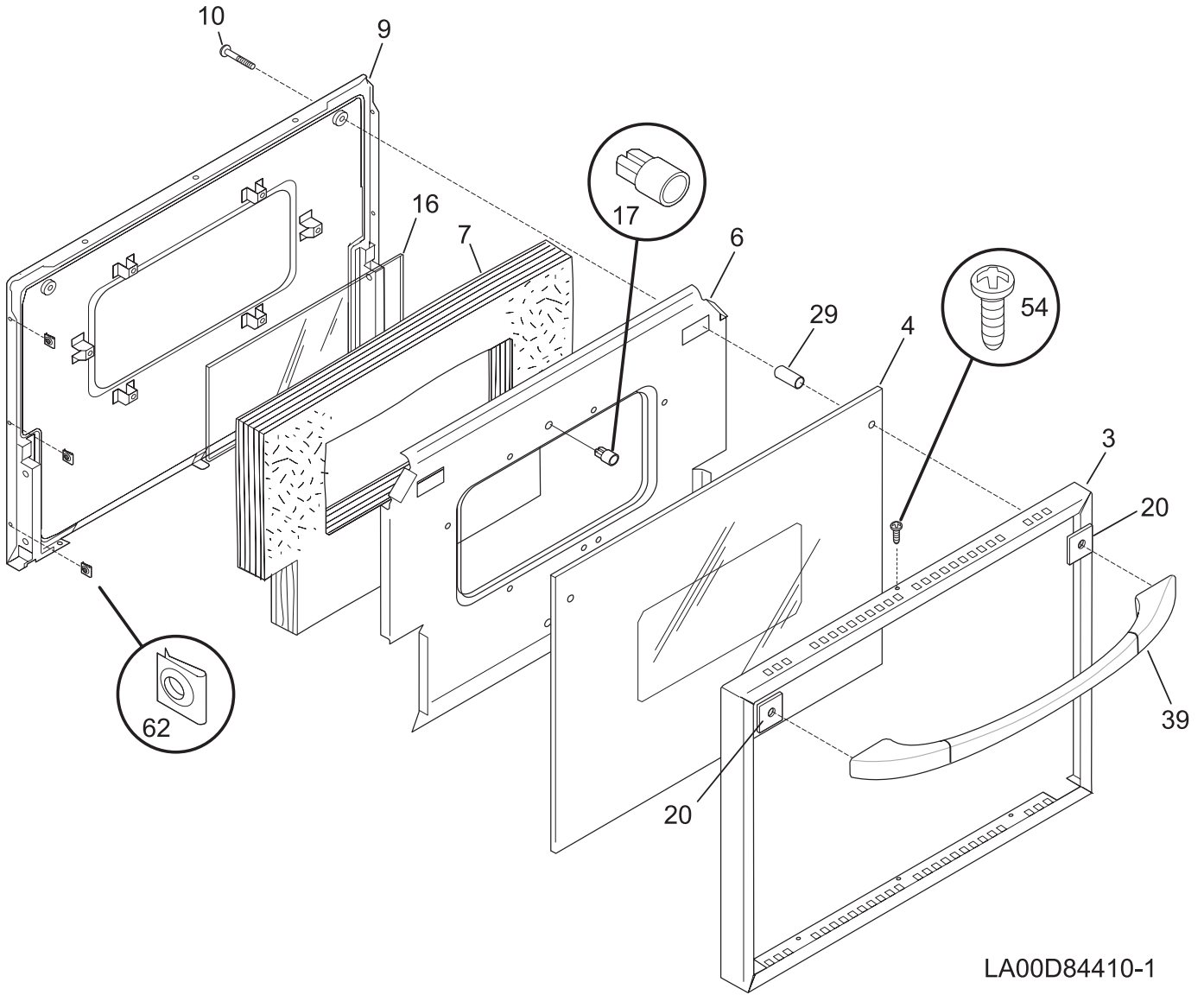
BFGB24T3ESC

BODY

Model Index: A FGB24T3E (FGB24T3ESD)
B FGB24T3E (FGB24T3EBD)

POS. NO	PART NO.		DESCRIPTION
3	5303317132	A B	Wrapper, side, outer
6	318345800	A B	Rack, oven, upper & lower, (3)
7	5303298313	A B	Hinge Assy, RH lower
7A	5303298312	A B	Hinge Assy, LH lower
8	318136500	A B	Panel, oven bottom
9	5303317977	A B	Pan, broilerOPTIONAL ACCESSORY
10	5303317976	A B	Insert, broiler panOPTIONAL ACCESSORY
14	318224000	A B	Receptacle, oven light
15	5303013071	A B	Bulb/Lamp, light
25	5303317712	A B	Shield, heat, lower
29	5303209887	A B	Glide, broiler rack
33	5303317128	A B	Shield, heat
36	5303298341	A B	Flue
37 #	316217005	A B	Probe, oven temp
39	318144008	A B	Cord, service
56	318028201	A -	Trim, oven top
56	318028200	- B	Trim, oven top
58A	318285007	A B	Insulation, oven back
58D	318285008	A B	Insulation, oven wrapper
83	318109511	A B	Liner, oven assy
85	5303317711	A B	Spring, oven door, lower
85A	318113300	A B	Bracket, door spring, lower
85B	5303317126	A B	Bracket, door spring, upper
85C	5303207651	A B	Spring, oven door, (1)
85D	318166900	A B	Sleeve, door spring
97	5303317130	A B	Wrapper, top, outer
98	318029003	A -	Trim, bodyside, white, RH
98	318029001	- B	Trim, bodyside, black, RH
98A	318029002	A -	Trim, bodyside, white, LH
98A	318029000	- B	Trim, bodyside, black, LH
103	5303316734	A -	Trim, base, white, lower
103	5303316735	- B	Trim, base, black, lower
121	5303317131	A B	Wrapper, back
124	318076801	A B	Box, horizontal flue
130	318034601	A -	Cap, end top, white, (2)
130	318034600	- B	Cap, end top, black, (2)
136	5303317129	A B	Angle, rack guide
158	5303207644	A B	Seal, door, black, top broiler
158A	5303295311	A B	Seal, side, bake oven
216	318034502	A -	Cap, end bottom, white, RH
216	318034500	- B	Cap, end bottom, black, RH
216A	318034503	A -	Cap, end bottom, white, LH
216A	318034501	- B	Cap, end bottom, black, LH
242	318027201	A -	Trim, center, satin
242	318027200	- B	Trim, center, black
244	5303205940	A B	Hinge Assy, oven door, RH upper
244A	5303205939	A B	Hinge Assy, oven door, LH upper
246	318133600	A B	Panel, oven bottom
247	3018717	A B	Glide, oven rack
248	5303317121	A B	Cap, flue
249	5304400385	A B	Wrapper, top, inner
250	318285042	A B	Insulation, 3" X 2" X 17.5", (2)
251	318285048	A B	Insulation, 2" X 2.5" X 21.5"
*	318232522	A B	Wiring Harness, main
*	5303211311	A B	Screw, 8 x 0.500
*	5303311333	A B	Screw, 8-32 x 3/8
*	5304400429	A B	Screw (8-18 X 1)

DOOR



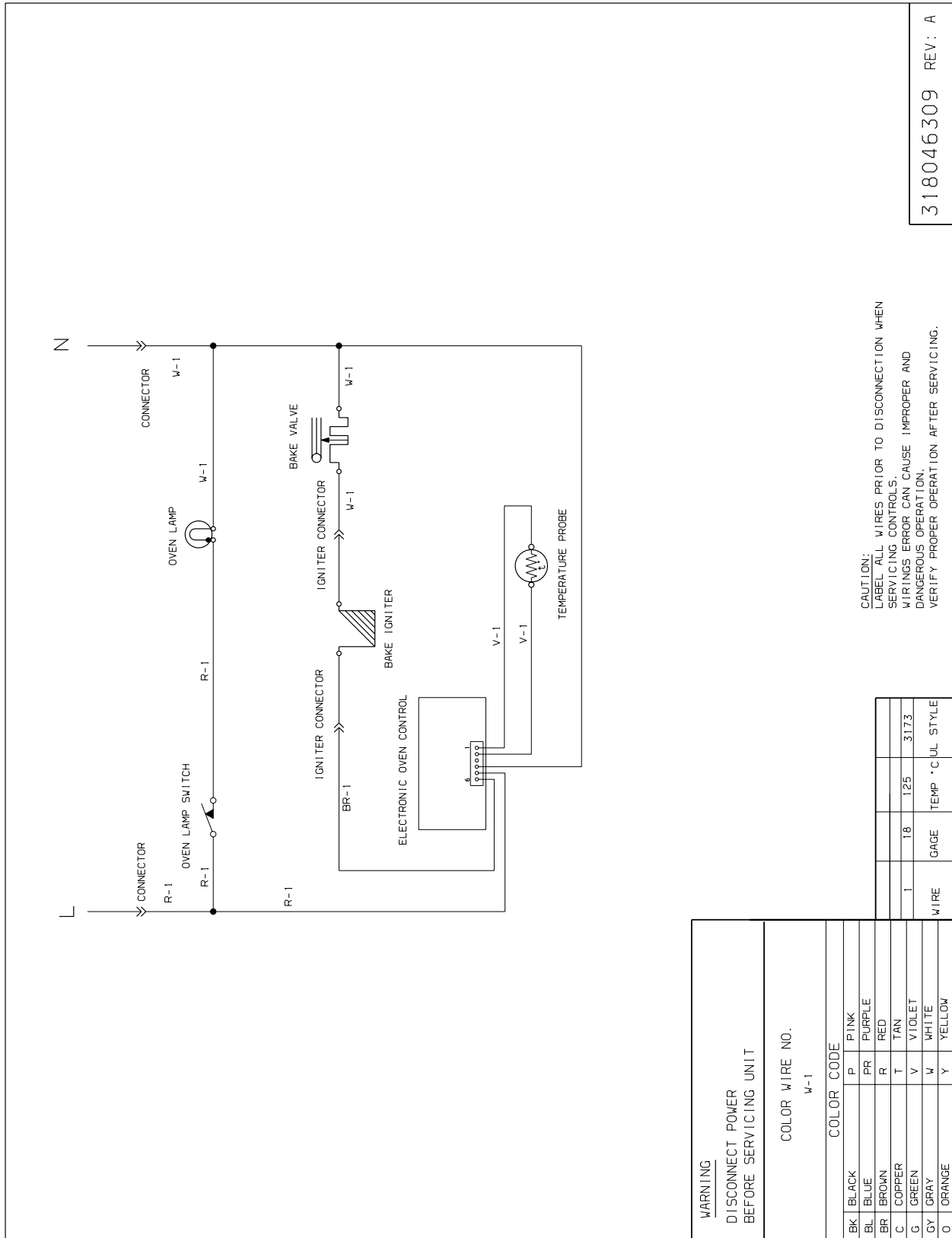
LA00D84410-1

DOOR

Model Index: A FGB24T3E (FGB24T3ESD)
 B FGB24T3E (FGB24T3EBD)

POS. NO	PART NO.		DESCRIPTION
3	318026501	A -	Trim, oven door, white
3	318026500	- B	Trim, oven door, black
4	318178502	A -	Glass, door, white, outer
4	318178503	- B	Glass, door, black, outer
6	318116600	A B	Shield, wool
7	318285009	A B	Insulation, oven door
9	318048901	A B	Liner, oven door
10	5304416408	A B	Screw, 10-24 x 1.750, handle mtg
16	318042310	A B	Glass, door, heat barrier
17	5304400397	A B	Fastener, spacer
20	5303300173	A -	Spacer, handle, white
20	5303300175	- B	Spacer, handle, black
29	318014401	A B	Spacer, door
39	318186100	A -	Handle, door, white
39	318186101	- B	Handle, door, black
54	5303317175	A -	Screw, 8-18 X 17/32, white
54	5303308456	- B	Screw, 8-18 x 0.531, black
62	08010463	A B	Fastener, clip
*	08016432	A B	Screw, truss head, 8-18 x 0.375
*	5303211311	A B	Screw, 8 x 0.500
*	5303311333	A B	Screw, 8-32 x 3/8

WIRING DIAGRAM



CAUTION:
 LABEL ALL WIRES PRIOR TO DISCONNECTION WHEN
 SERVICING CONTROLS.
 WIRING ERROR CAN CAUSE IMPROPER AND
 DANGEROUS OPERATION.
 VERIFY PROPER OPERATION AFTER SERVICING.

318046309 REV: A

WARNING	
DISCONNECT POWER BEFORE SERVICING UNIT	
COLOR WIRE NO. W-1	
COLOR CODE	
BK	BLACK
BL	BLUE
BR	BROWN
C	COPPER
G	GREEN
GY	GRAY
O	ORANGE
P	PINK
PR	PURPLE
R	RED
T	TAN
V	VIOLET
W	WHITE
Y	YELLOW

1	18	125	3173
WIRE	GAGE	TEMP °C	UL STYLE