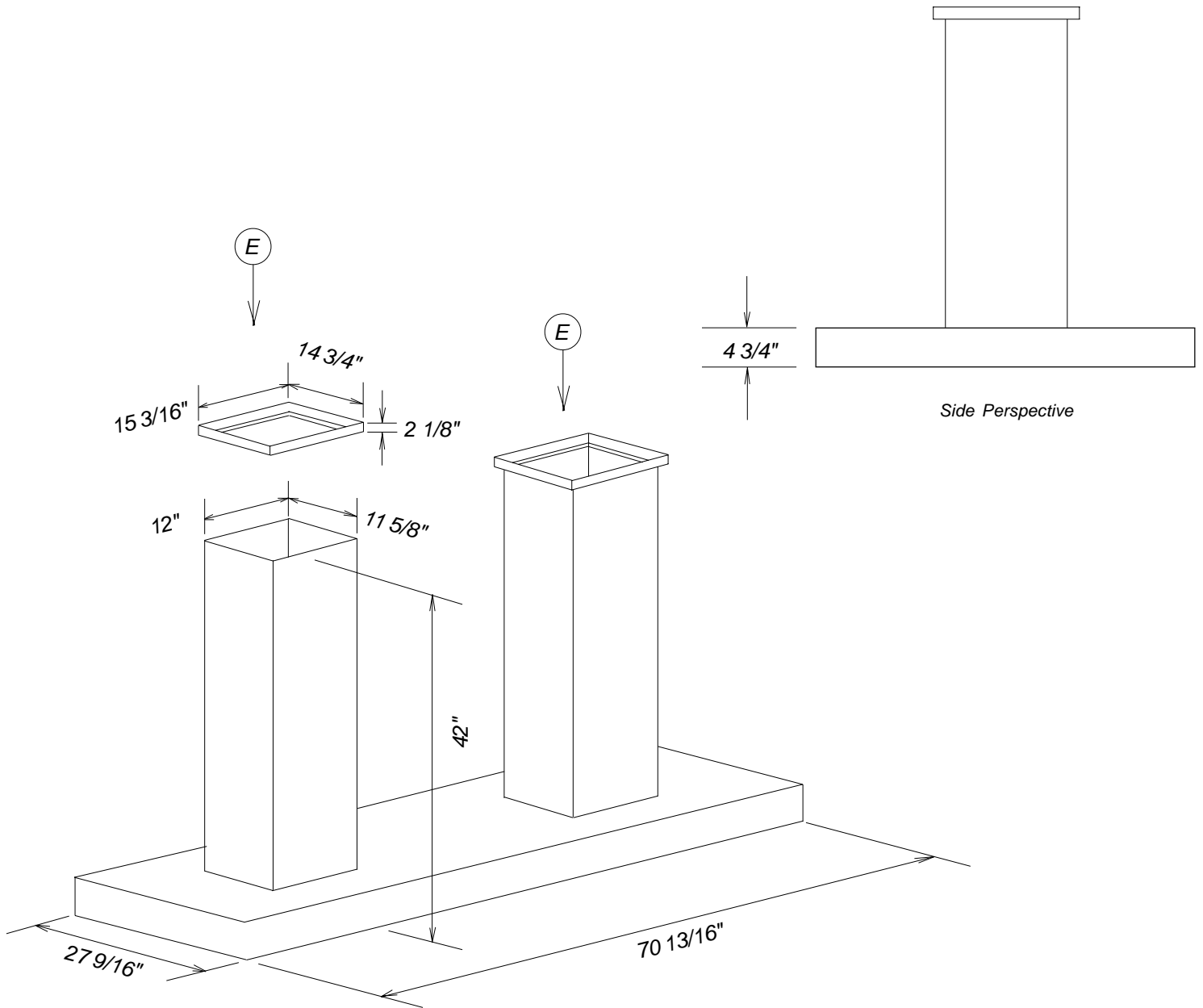


Product Dimensions

Decorator Island Hood

DA5341D



Location Codes
E - (2) 120 Volt - 15 Amp 3-wire power supplies connect at top of chimneys.
Notes
<ul style="list-style-type: none"> All installations must be done in accordance with local codes. Mounting plates must be used. 6" ducts connect to mounting plate at top of chimneys.

NOTE: Drawing is not to scale.
SPECIFICATION SHEETS 010107

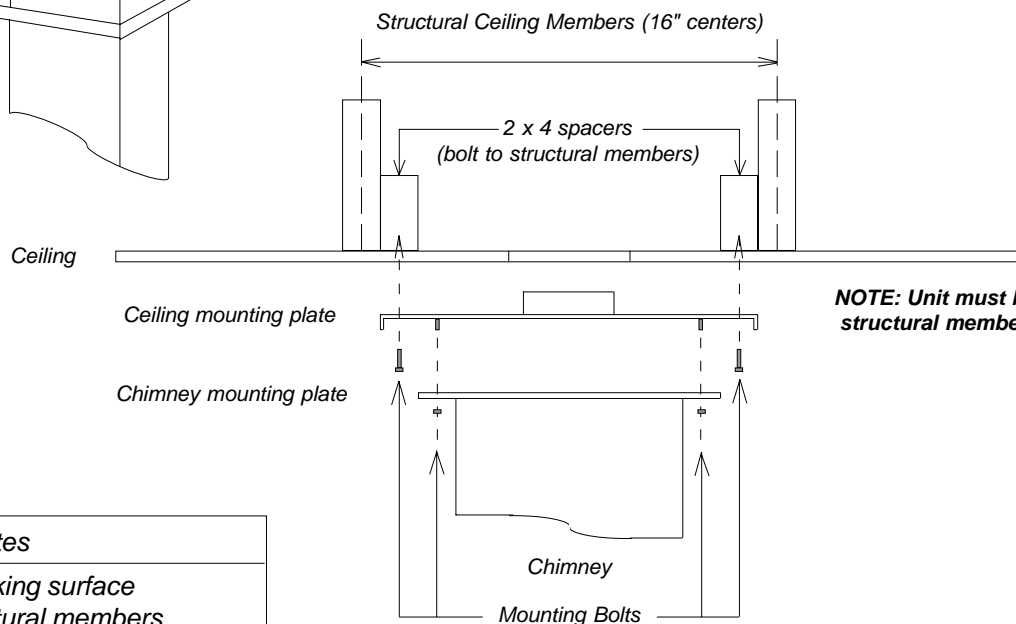
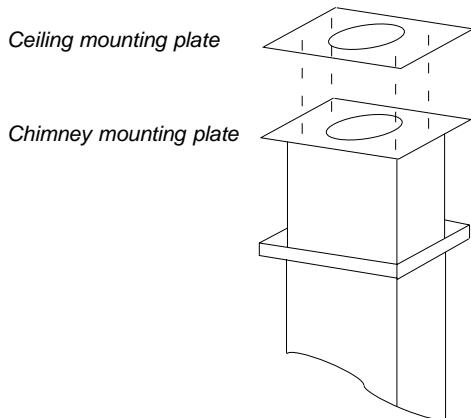
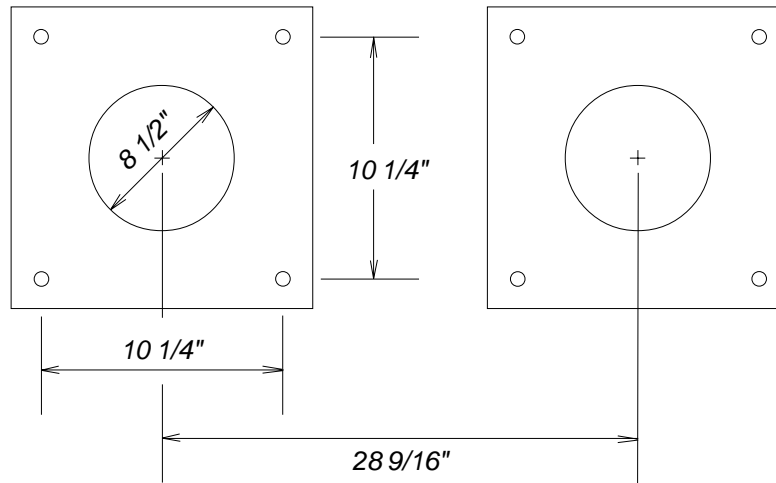
Installation Dimensions

Decorator Island Hood

DA5341D



Ceiling Mounting Plate Detail



NOTE: Unit must be secured to structural members in ceiling.

Notes

- Center unit over cooking surface
- Bolt spacers to structural members
- Attach ceiling mounting plate to spacers in ceiling using supplied mounting bolts
- External ducting connects to ceiling mounting plate
- Connect chimney mounting plate to ceiling mounting plate using supplied mounting bolts.

NOTE: Drawing is not to scale.
SPECIFICATION SHEETS 010107