

Electrolux

Factory Parts Catalog

Product No.	E24RD75HSS0
Series	Icon Designer
Color	stainless
Volts	115
Wiring Diagram	241963001
Owner's Guide	242000100
Market	North America
Energy Guide	241935546
Service Data Sheet	242007200

Electrolux

Electrolux Major Appliances
North & Latin America
P.O. BOX 212378
AUGUSTA, GA 30917

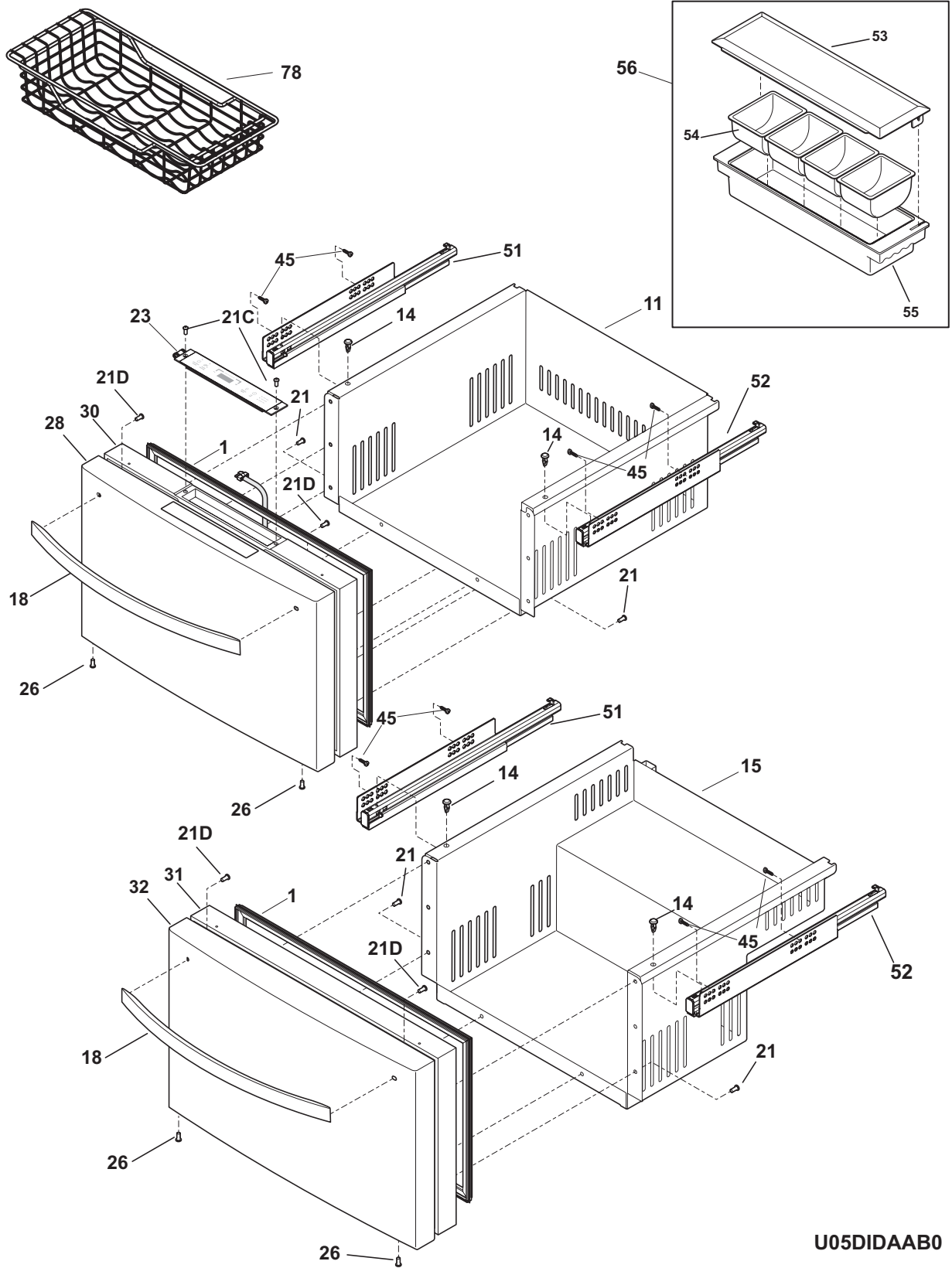
Publication No.
5995529624
08/11/26
(EN/SERVICE/KHB)
390

REFRIGERATED DRAWERS

Model No.
E24RD75H

Copyright © 2008 Electrolux Home Products, Inc.
All rights reserved.

DRAWERS

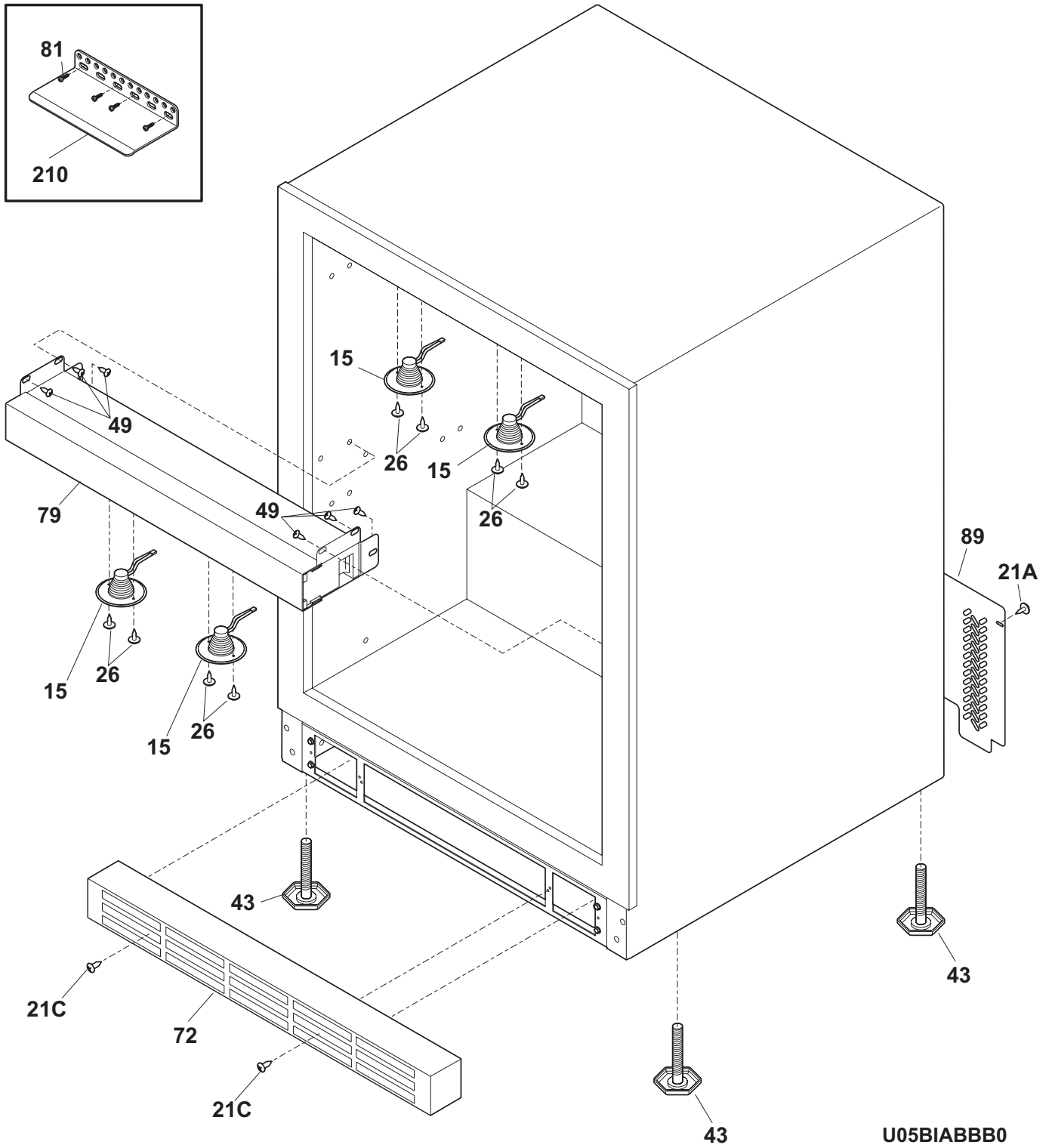


U05DIDAAB0

DRAWERS

POS. NO	PART NO.	DESCRIPTION
1	7241958901	Gasket-drawer
11	7241965802	Drawer-top
14	7241967001	Plug-button, black
15	7241966802	Drawer-Bottom
18	7241962801	Handle-door, stainless steel
21	7218362501	Screw, hex washer head, 8-18AB x 1.250, spacer, (2)
21C	7241918201	Screw, #8-32 x 3/8, flat head
21D	7241998201	Screw-handle mtg
23	7241897405	Board-control, temp control
26	7215503206	Screw-#10-16 HILO PHIL PAN HD
28	7241997902	Cover-top drawer
30	7241981201	Front-drawer, top drawer
31	7241981202	Front-drawer, bottom drawer
32	7241998004	Cover-Bottom Drawer
45	7240383411	Screw, truss hd quad, #10-16 x .500, silver mist
51	7241959501	Rail-shelf, full access, left
52	7241959502	Rail-shelf, full access
53	7241965701	Lid-condiment tray
54	7241964401	Plate-condiment tray
55	7241965602	Tray-condiment
56	7241965502	Tray-condiment, complete assemb
78	7241997401	Basket-sliding, UC
*	7218515401	Clip
*	7241962901	Seal, drawer

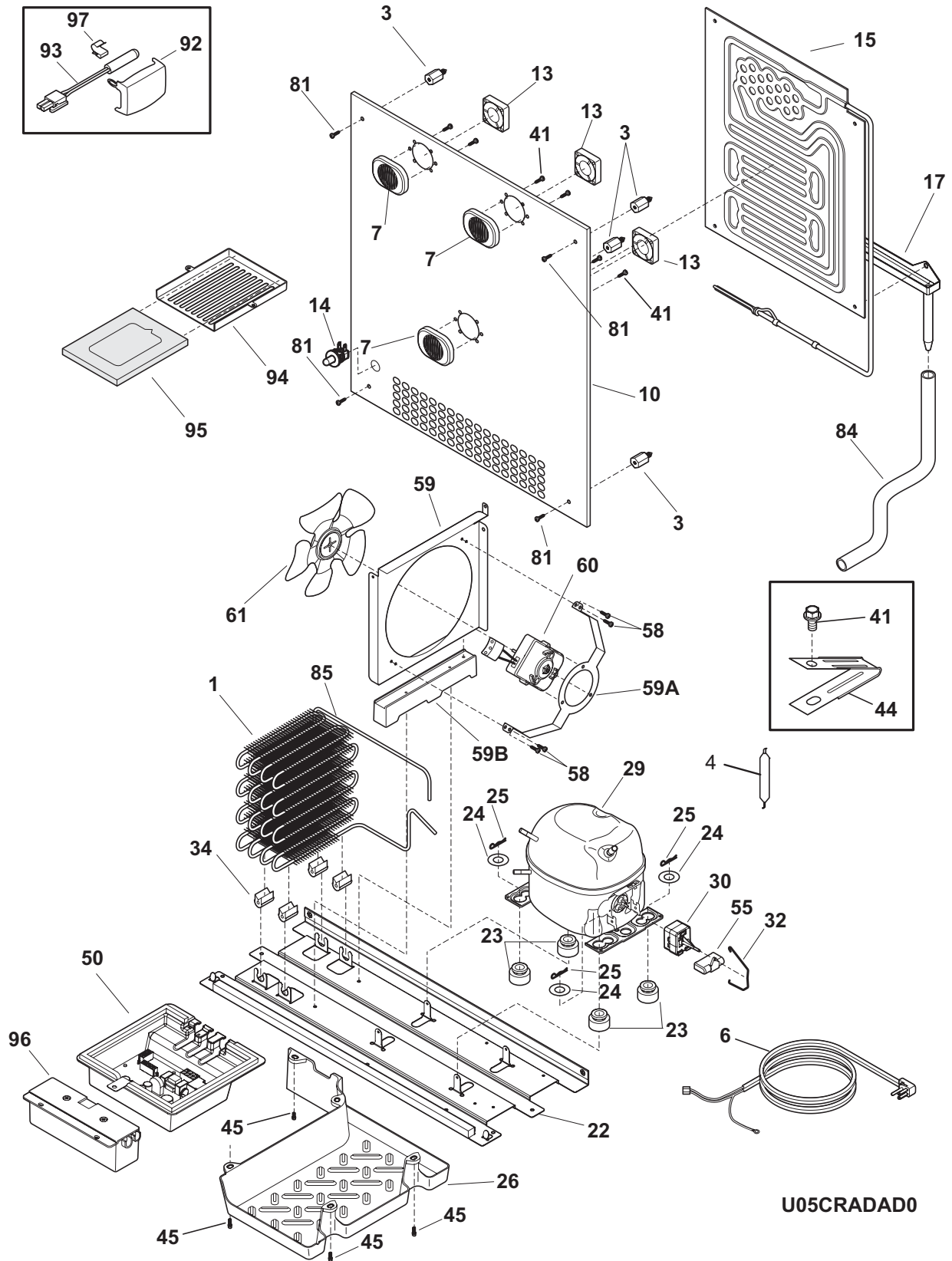
CABINET



CABINET

POS. NO	PART NO.	DESCRIPTION
15 #	7241904201	Light Assembly, LED, (4)
21A	7241906101	Screw-#10 x 3/4 TEK
21C	7218252201	Screw, #8 truss hd, 10-32CA x 0.500
26	7241904301	Screw, LED lighting
43	7241911501	Leveling Leg, screw
49	7218362501	Screw, hex washer head, 8-18AB x 1.250, spacer, (2)
72	7241908403	Grille/Kickplate, stainless
79	7241960401	Mullion, black
81	75304455650	Screw, hex washer head, 8-15A x 0.625, low profile
89	7241898002	Cover-access
210	7241903801	Bracket-anti tip
*	7218515401	Clip

SYSTEM

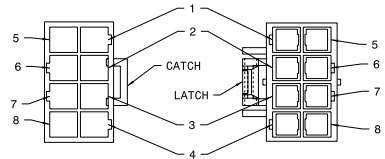
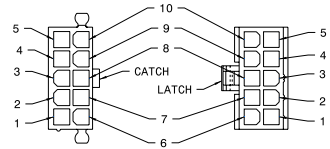
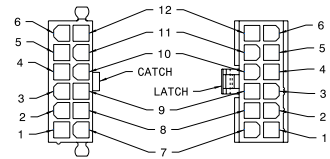
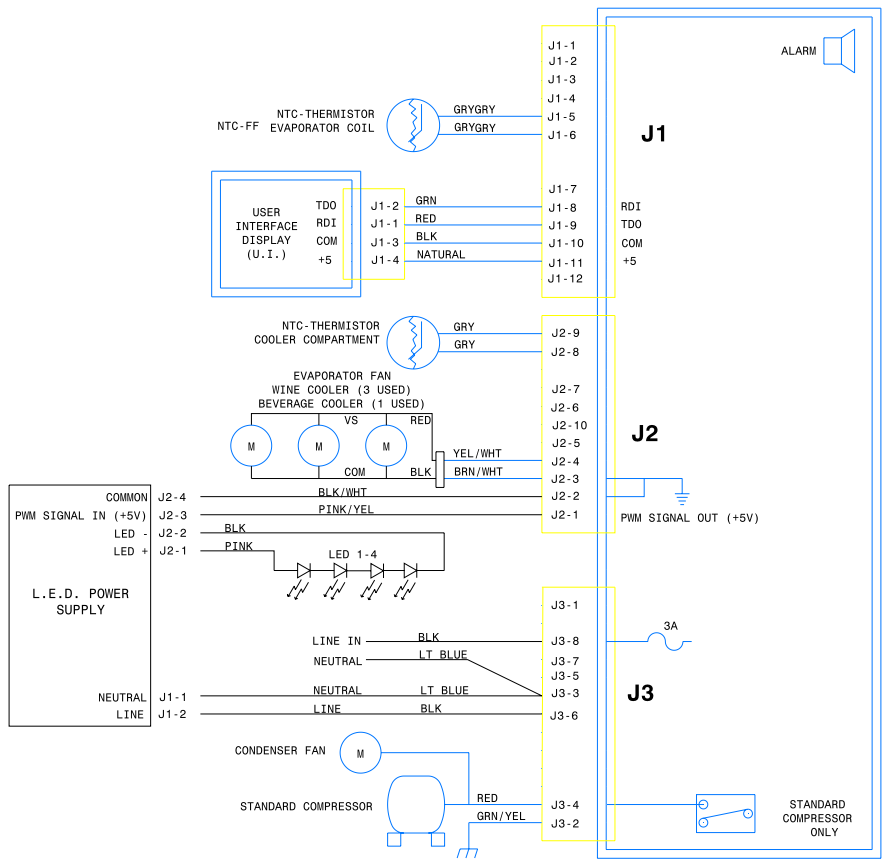


U05CRADAD0

SYSTEM

POS. NO	PART NO.	DESCRIPTION
1 #	7241931201	Condenser
3	7241890001	Spacer-evap
3	7241890002	Spacer-evap
3*	7241931901	Washer, nylon
4	7218944002	Drier-filter, R134a System
6 #	7241516901	Cord-service
6*	7241932601	Bushing-service cord
6*	7241932701	Retainer, wire
6*	7241961201	Harness-wiring
6*	7241961701	Harness-wiring, machine compt
6* #	7241900201	Harness-evaporator
6* #	7241900701	Harness-intermediate, UC, LED lighting
6* #	7241961801	Harness-Evap Light Switch
7	7241960301	Cover-fan
10	7241960101	Cover-evap coil
10*	7241984501	Seal-coil cover
13 #	7241981801	Motor-evap fan
14 #	7241911704	Switch-light/lamp
15 #	7241891801	Evaporator, w/heat exchangr
17	7241889801	Trough-drain
22	7241888101	Base-compressor
22*	7218252201	Screw, #8 truss hd, 10-32CA x 0.500
23	7218513300	Grommet-compr mtg, (4)
24	7241812301	Washer-compr mtg
25	7216056401	Clip-compressor mtg
26	7241889901	Pan-defrost drain
29 #	75303918366	Compressor, w/electricals
30 #	7241707717	Starter-PTC
32	7216649200	Clip, controller
34	7240405201	Grommet, rubber, black, cond tube/wire
41	7240433204	Screw, hex washer head, 8-18 x 5/16
44	75304456288	Clamp-wiring harness, strain relief, galv steel
45	7241906101	Screw-#10 x 3/4 TEK
50	7241511116	Board-main power
50*	7241532401	Channel
55	7218909913	Capacitor, run, 220 VAC, 15 microfarad
58	7240433203	Screw, hex washer head, 8-18 x 3/8
59	7241889701	Shroud, cond fan motor
59*	7240359403	Screw-fan shroud, (2)
59*	7240396801	Clamp, tube/wiring, nylon, black/natural
59A	7241889601	Bracket-cond motor
59B	7241896401	Support, cond shroud
60	7241584301	Motor-condenser fan
61	7241639501	Blade-condenser fan
81	7240555004	Screw-#8-32 X 3/8 BLACK
84	7241931401	Tube-drain, lower
85	7241898101	Tube-hot loop
92	7241512902	Cover-sensor, black
93	7240597203	Sensor
94	7241904001	Housing-filter, air
95	7241754001	Filter-air
96 #	7241900001	Board-LED power
96*#	7241900401	Harness-LED driver
97	7241519401	Clip, sensor
*	7218515401	Clip
*	7240542601	Clip-wiring harness
*	7241853201	Screw, #8-18 x 1/2
*	7241919901	Clamp, cable

WIRING SCHEMATIC



WIRING DIAGRAM

