



## Standard Features & Accessories

### All ovens include

- Overall capacity—3.6 cu. ft.—  
24-1/8"W. x 13-3/4"H. x 18-3/4"D.
- AHAM\* standard capacity—3.3 cu. ft.—  
—24-1/8"W. x 13-3/4"H. x 17-1/8"D.
- Dimensioned to fit U.S.A. 36"W. or  
European 90 cm cabinets
- Commercial styling and construction
- **Exclusive** combination of dual bake  
burners and infrared broil burner, all  
with automatic ignition
- Largest, built-in gas convection oven  
cavity available
- Six functions
  - o Natural airflow bake
  - o Convection bake
  - o Infrared broil
  - o Convection infrared broil
  - o Convection dehydrate
  - o Convection defrost
- Electronic clock/timer
- Three heavy-duty racks/four rack  
positions
- Two lights
- Can install two ovens top to bottom  
(see **Installation Notes & Accessories**  
for trim and gas connection kits)

\*The Association of Home Appliance  
Manufacturers (AHAM) standard for  
measuring oven capacity subtracts the  
door plug and convection baffle  
dimension from the total oven volume.

## Model Options



**VGSO166**  
**36"W. Single Oven**

### FINISH DETAILS

- Stainless Steel (SS), Black (BK), White  
(WH), Metallic Silver (MS), Graphite  
Gray (GG), Stone Gray (SG), Taupe (TP),  
Biscuit (BT), Cotton White (CW), Oyster  
Gray (OG), Golden Mist (GM),  
Lemonade (LE), Sage (SA), Mint Julep  
(MJ), Sea Glass (SE), Iridescent Blue (IB),  
Viking Blue (VB), Pumpkin (PM), Racing  
Red (RR), Apple Red (AR), Burgundy  
(BU), Plum (PL), Chocolate (CH), and  
Cobalt Blue (CB).
  - o Finish designates door front, lower  
panel, and control panel frame. Black  
knob, switches, and control panel.
- White (WH)
  - o Finish designates door front, lower  
panel, and control panel frame. White  
knob, switches, and control panel.
- Brushed finished vertical/horizontal trim  
and stainless steel handle (with  
chrome-plated brackets)
- Brass Trim Option (BR)—nameplate,  
window trim, door handle/brackets, dual  
burner thermal-convection plate, and  
control panel trim. Brass components  
have a durable protective coating for  
maintenance-free normal use.

### ORDERING INSTRUCTIONS

First specify model number, and then color code (VGSO166SS). If ordering optional brass trim, specify code at end (VGSO166SSBR). If ordering optional LP conversion, specify code at end (VGSO166SSBRLP).





★ Please see Installation Notes and Accessories for important installation information, including center trim and conversion kits.



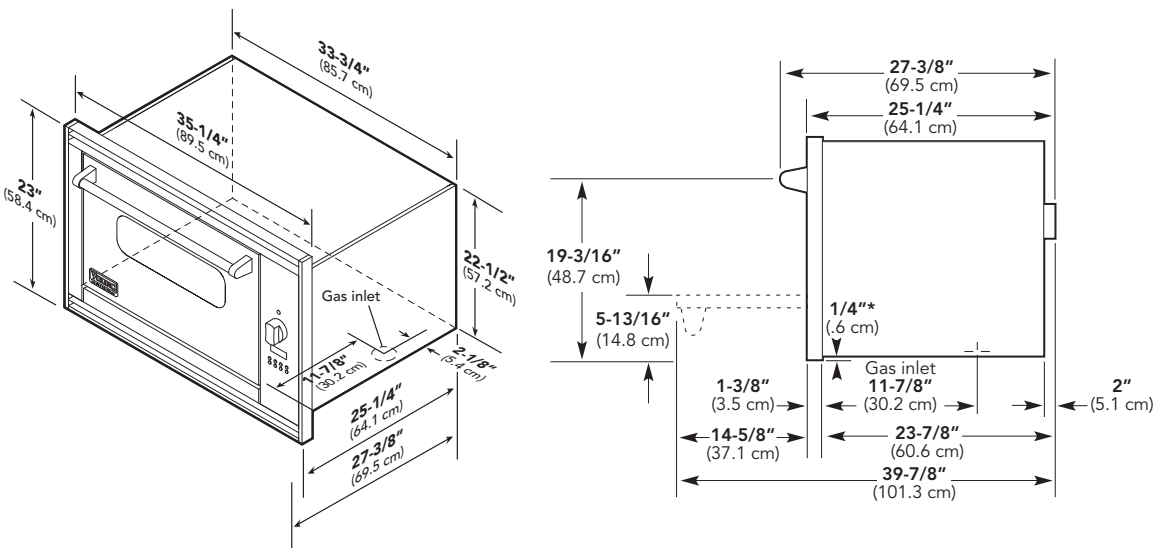
Star-K Kosher certification for use on the Jewish Sabbath or Jewish holidays

### Dimensions & Specifications

#### PRODUCT DIMENSIONS & DOOR SWING



VGSO166  
36"W. Single Oven



Note: Bottom of cutout to bottom of trim-used for installing warming drawer below oven.

	VGSO166	VGSO166 X 2 + trim
Overall width	35-1/4" (89.5 cm)	
Overall height	23" (58.4 cm)	48.5" (123.2 cm)
Overall depth (from rear)		
To edge of side	25-1/4" (64.1 cm)	
To end of handle bracket	27-3/8" (69.5 cm)	
With door open	39-1/2" (100.3 cm)	
Interior (each oven)		
Width	24-1/8" (61.3 cm)	
Height	13-3/4" (34.9 cm)	
Depth	17-1/8" (43.5 cm)	
Approx. ship weight	257 lbs. (115.7 kg)	




**UTILITY REQUIREMENTS**

**GAS**

- Shipped natural or LP/Propane gas; LP must be specified after color codes.
- Accepts standard 1/2" (1.3 cm) ID NPT (Sch40) gas service line
- The gas supply (service) line must be the same size or greater than the inlet line of the appliance.
- Gas Manifold Pressure
  - Natural gas—5.0" W.C.P.
  - LP/propane - 10.0" W.C.P.


**ELECTRICAL**

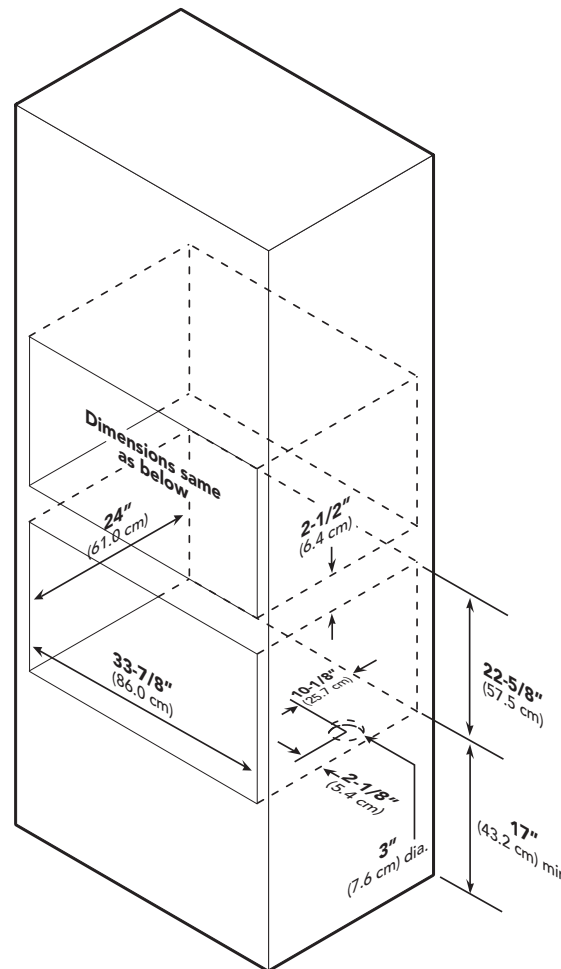
- Four-foot (121.9 cm), three-wire cord with grounded three-prong plug attached to product.
- GFI ground fault outlet not recommended for use on oven.
- Electrical requirement—Normal grounded household current 120 volts, 60 Hz, 15 amps, single phase.
- Maximum amp usage—8.0


**PLUMBING**

Not applicable

## Installation Requirements

### ACCESS REQUIREMENTS—SINGLE & DUAL INSTALLATION


**VGSO166**  
Oven


**Note:** The use of cabinets for storage above the oven may result in a potential burn hazard. Combustible items may ignite, and metallic items may become hot and cause burns.

	<b>VGSO166</b>	<b>VGSO166 X 2 + trim</b>
Cutout width	<b>33-7/8" (86.0 cm)</b>	
Cutout height (from bottom)	<b>22-5/8" (57.5 cm)</b>	
Cutout depth	<b>24" (61.0 cm) min.*</b>	
Infrared broil burner rating—	<b>18,000 BTU (5.3 kW) Nat./LP</b>	
Bake burner rating (two)—each at	<b>15,000 BTU (4.4 kW) Nat./LP</b>	

\*Unit extends into cutout 23-7/8" (60.6 cm); cord protrudes 1/2" (1.3 cm) beyond 23" (58.4 cm).



## ✪ Installation Notes & Accessories

### Double Installation Center Trim

- Stainless Steel (SS)
- Covers finish of cabinet when installed as double (two single cutouts)
- Provides continuous look and double oven appearance
- Easily attached after ovens are installed

Model	Description	Approx. ship wt. lbs. (kg)
DCT-VGSO	Center trim	2 (0.9)

### Double Installation Gas Connection Kit

- Kit includes all necessary components to easy make double installation gas connection (two single cutouts)
- Flexible gas tubing
- Two fittings
- Pipe nipple
- Instructions

Model	Description	Approx. ship wt. lbs. (kg)
IKD-VGSO	Gas connection kit	2 (0.9)

## Compliance Information



## WARRANTY INFORMATION\*

- One-year full warranty—complete product
- Five-year limited warranty—tube burners
- Ten-year limited warranty—porcelain oven and porcelain inner door panel
- Ninety-day limited warranty—cosmetic parts such as glass, painted, and decorative items

\* For complete warranty see *Use & Care Guide*. Warranty valid on Viking products shipped within the United States and Canada.

