

JDS28DN

GE® 30" Drop-In Electric Range with Standard Clean Oven

Dimensions and Installation Information

KW Rating	
240V	11.6
208V	8.7

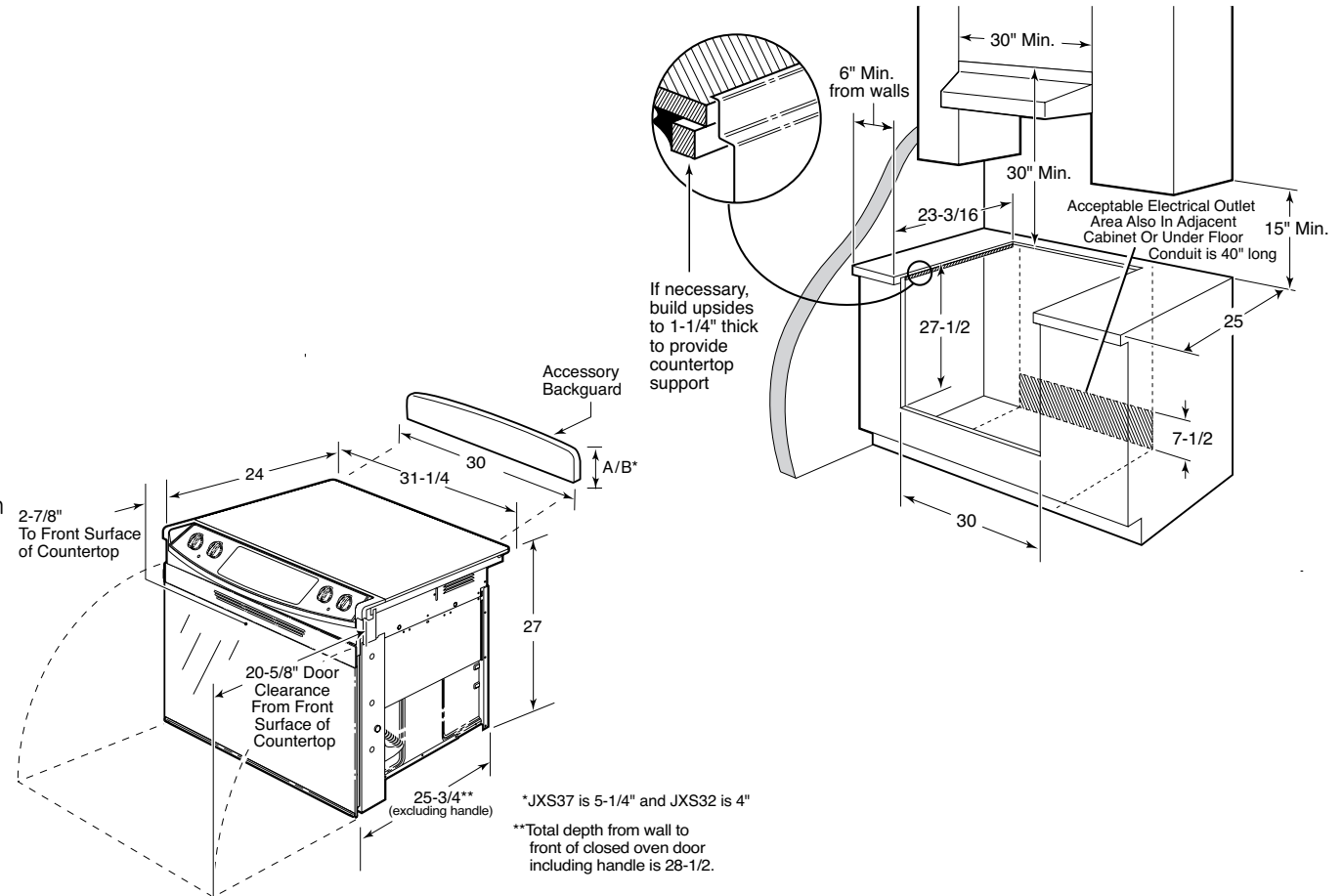
Note: Cabinets installed adjacent to drop-in ranges must have an adhesion spec of at least 194°.

Important

30" Drop-In Ranges are designed to hang from the countertop. It does not rest on the floor. For installation alternatives, refer to installation instructions packed with product.

Note: 30" Drop-In Electric Ranges conform to U.L. requirements for 3" minimum spacing between range and side walls above countertop.

Installation Information: Before installing, consult installation instructions packed with product for current dimensional data.



Above illustration intended for dimensional reference only. Refer to photograph for actual appearance.

Dimension and installation information are shown in inches.



All GE ranges are equipped with an Anti-Tip device. The installation of this device is an important, required step in the installation of the range.



Listed by Underwriters Laboratories

Specification Revised 7/11

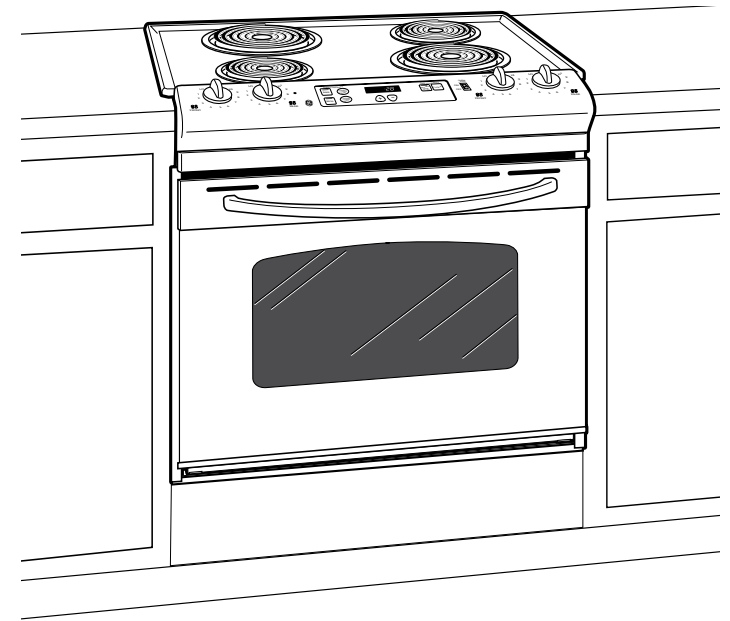
20829

JDS28DN

GE® 30" Drop-In Electric Range with Standard Clean Oven

Features and Benefits

- Coil Heating Elements - Provides consistent and even heat on the cooktop with a plug-in element that is removable for easy cleaning
- Electronic Clock And Timer - Features a convenient digital clock and easy-to-use timer with an audible signal to help coordinate cooking times in the kitchen
- Big Hearth Window - Features an enhanced shape to add an elegant appearance and make viewing trouble-free
- Lift-Up Porcelain Cooktop - Makes spills and messes under the cooktop easily accessible and within reach
- Dual Element Bake - Alternates the upper broiling element and the lower baking element for even heating and optimal baking results
- Audible Preheat Signal - Features an audible signal that activates when the oven has reached the desired cooking temperature
- Frameless Glass Oven Door - Offers an easy-to-clean and stylish design that blends seamlessly into existing cabinetry
- Chrome Drip Bowls - Contain minor spills and are removable for easy cleaning
- Two Oven Racks - Feature a durable construction to help accommodate any size or type of cookware
- Multiple Oven Rack Positions - Delivers flexibility and allows consumers to make the most of available oven capacity
- Model JDS28DNWW - White on white (White door and white cooktop)



imagination at work

Specification Revised 7/11

320829