

# JENN-AIR® 30" (76.2 cm) Double Oven Dual Fuel Range

## PRODUCT MODEL NUMBERS

JDR8895B

**Gas supply:** Provide a gas supply line of 3/4" (1.9 cm) rigid pipe to the range location. A smaller size pipe on longer runs may result in insufficient gas supply. Pipe-joint compounds that resist the action of LP gas must be used. Do not use TEFLON®† tape. With LP gas, piping or tubing size can be 1/2" (1.3 cm) minimum. Usually, LP gas suppliers determine the size and materials used in the system.

If local codes permit, a new CSA design-certified, 4 to 5 ft (122 to 152.4 cm) long, 1/2" (1.3 cm) or 3/4" (1.9 cm) I.D., flexible metal appliance connector may be used for connecting range to the gas supply line.

A 1/2" (1.3 cm) male pipe thread is needed for connection to the female pipe threads of the inlet to the appliance pressure regulator.

The supply line must be equipped with a manual shutoff valve. This valve should be located in the same room but external to the range.

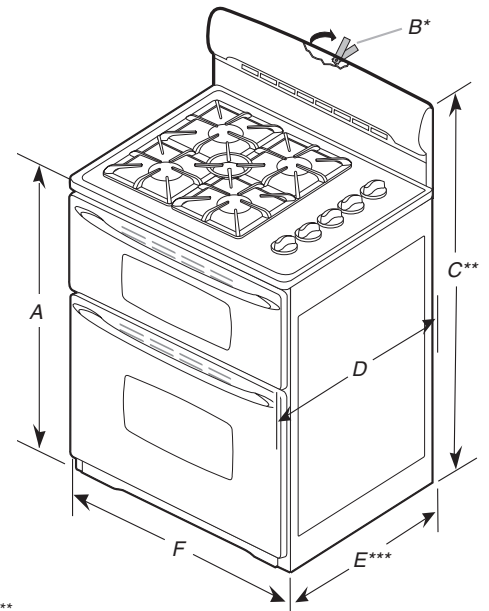
**Electrical:** Range must be connected to the proper electrical voltage and frequency. This range is manufactured with the neutral terminal connected to the cabinet. Use a 3-wire, UL listed, 40- or 50-amp power supply cord (pigtail). If local codes do not permit ground through the neutral, use a 4-wire power supply cord rated at 250 volts, 40 or 50 amps and investigated for use with ranges.

A time-delay fuse or circuit breaker is recommended.

The range can be connected directly to the fused disconnect (or circuit breaker box) through flexible or nonmetallic sheathed, copper or aluminum cable.

†TEFLON is a registered trademark of E.I. Du Pont Nemours and Company.

## PRODUCT DIMENSIONS



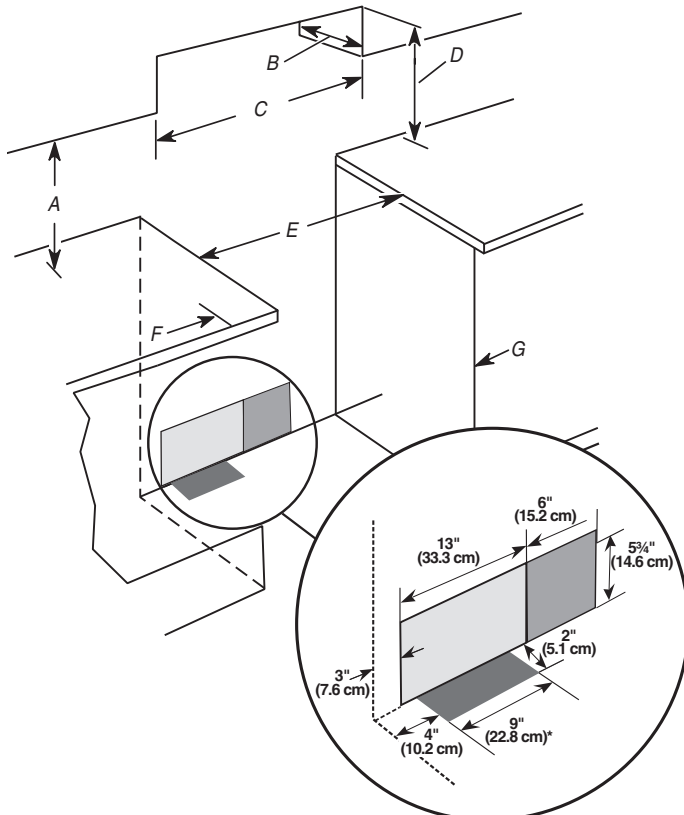
- A. 35 7/8" (91.1 cm) cooktop height (minimum) with leveling legs screwed all the way in\*
- B. Model/serial/rating plates (located behind the control panel)\*\*
- C. 46 7/8" (119.1 cm) overall height (minimum) with leveling legs screwed all the way in\*
- D. 28" (71.1 cm) depth with handle
- E. 26 5/16" to 27 1/4" (66.8 to 69.2 cm)\*\*\*
- F. 29 7/8" (75.9 cm) width

\*Range can be raised approximately 1" (2.5 cm) by adjusting the leveling legs.

\*\*Model/serial/rating plates may be rotated up from behind the control panel for viewing from the front of the range.

\*\*\*Excludes handle. Dimension given is from wall to front of oven door and will vary based on electric outlet receptacle installation.

## CABINET OPENING DIMENSIONS



Cabinet opening dimensions shown are for 25" (64.0 cm) countertop depth, 24" (61.0 cm) base cabinet depth and 36" (91.4 cm) countertop height.

**IMPORTANT:** If installing a range hood or microwave hood combination above the range, follow the range hood or microwave hood combination installation instructions for dimensional clearances above the cooktop surface.

**NOTE:** 24" (61.0 cm) minimum when bottom of wood or metal cabinet is protected by not less than 1/4" (0.64 cm) flame retardant millboard covered with not less than No. 28 MSG sheet steel, 0.015" (0.4 mm) stainless steel, 0.024" (0.6 mm) aluminum or 0.020" (0.5 mm) copper. 30" (76.2 cm) minimum clearance between the top of the cooking platform and the bottom of an unprotected wood or metal cabinet.

- A. 18" (45.7 cm) upper cabinet to countertop
- B. 13" (33.0 cm) upper cabinet depth
- C. 30" (76.2 cm) min. opening width
- D. For minimum clearance to the top of the cooktop, see NOTE.
- E. 30" (76.2 cm) min. opening width
- F. 3" (7.6 cm) min. clearance from both sides of the range to the side wall or other combustible material.
- G. Cabinet door or hinges should not extend into the cutout.

\*Gas line location: To ensure flush-to-wall installation gas service including shutoff valve should not protrude more the 2" (5.1 cm) from rear wall nor extend beyond the shaded areas.