



Tel: 714-891-7797
 Fax: 714-891-2478
 Toll Free: 800-822-8855
 www.calfaucets.com

California Faucets®

ROMAN TUB SET

INSTALLATION INSTRUCTIONS

California Faucets reserves the right to make modification and specification changes at any time. Please visit www.calfaucets.com for most current technical data.
 CALIFORNIA FAUCETS RECOMMENDS THAT ALL PLUMBING PRODUCTS BE INSTALLED BY A LICENSED PROFESSIONAL

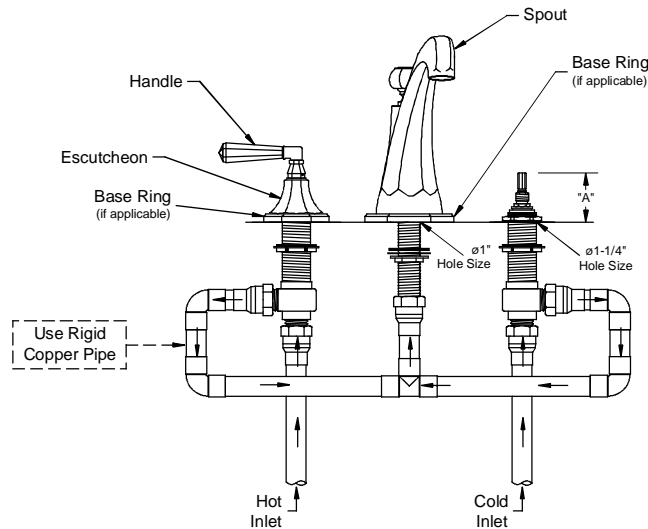


Fig. 1

NOTE:
 -Must use rigid copper piping (not flex) for all connections between spout and valves.
 -It is also recommended that an access panel be provided for all Roman Tub installations.

1

Roman Tub Spout Connectors

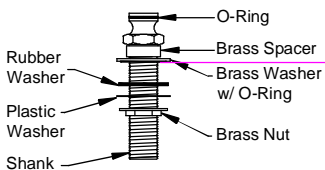


Fig. 2A



Fig. 2B



Fig. 2C



Fig. 2D

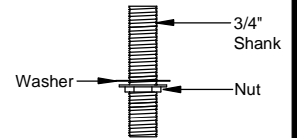


Fig. 2E

Quick Connect Model #: QC-50 Use With Rough Kit #: 08-75-50	Quick Connect Model #: QC-99 Use With Rough Kit #: 08-75-99	Quick Connect Model #: QC-63 Use With Rough Kit #: 08-75-63	Quick Connect Model #: QC-63 Use With Rough Kit #: 08-75-65	3/4" Nipple Model #: QC-75 Use With Rough Kit #: 08-75-75
For Series #: 5008	For Series #: 3208 3308 3408 3508 3608 3808 4008 4208 4408 4508 4608 4708 5108 5508 5708 5808 5908 6008 6108 6408 6708 6808 6908 E208	For Series #: 6308 Series 6308 uses Broach Adapter	For Series #: 4808 4808X 6508 6608	For Series #: 5308 6208 7008 7208 7308



Fig. 3

For all Quick Connects except: 08-75-75

- Remove brass nut, plastic washer and rubber washer from Quick Connect assembly.
- Ensure that O-ring is properly seated in brass washer.
- Insert Quick Connect assembly through hole in deck.
- Place Rubber Washer, Plastic Washer and Brass Nut onto Shank from below and firmly tighten.
- Seat Spout onto Quick Connect.
- Rotate Spout to desired position and tighten setscrew.
- Use thread sealant to seal all fittings with threads.

For Quick Connect 08-75-75

- Apply thread sealant to one end of the Shank and tighten into Spout.
- Place spout base ring (if applicable) onto deck, over the spout shank.
- Insert Shank through deck hole and from below place Washer and Nut onto Shank.
- Rotate Spout to desired position and firmly tighten nut.
- Use thread sealant to seal all fittings with threads.

IMPORTANT: All soldering shall be performed prior to attaching fitting to Valves and Quick Connect, otherwise severe damage may take place and void warrantee

2 Install valve bodies:

NOTE: Hot & cold valves are labeled: *cold=blue & hot=red.*
 -Remove top nut and turn bottom nut with fiber washer down the valve until it stops.
 -Insert valve through hole from below and install top nut (if applicable), and adjust to proper height, see Fig. 4A (also refer to "A" dimension).
 -Tighten the bottom nut to secure the valve.
 -Install trim parts (base ring if applicable), escutcheon and handle and tighten handle set screws with Allen key provided.
REMINDER: Please retain allen key as handles may require re-tightening with normal use.

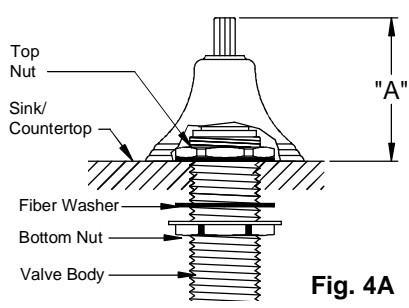


Fig. 4A

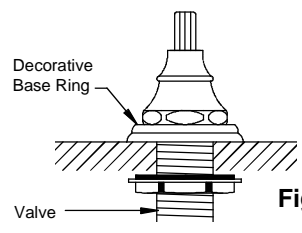


Fig. 4B

Installation Note for series:

32, 33, 34, 35, 36, 43, 57, 60, 61, 67, 68 & 69.
 The trim to those products do not require a top nut to be installed on the valve (See Fig. 4A)
 The decorative base ring and escutcheon takes the place of the top nut. (See Fig. 4B).

"A" DIMENSION		
"A" Dimension is from top of counter/tub top to tip of stem broach.		
Series #	Handle	Diverter
3208	2 3/8"	2 3/8"
3308	2 3/8"	2 3/8"
3408	2 3/8"	2 3/8"
3508	2 3/8"	2 3/8"
3608	2 3/8"	2 3/8"
3808	2 5/8"	2 5/8"
4008	2 5/8"	2 5/8"
4208	2 5/8"	2 5/8"
4408	2 3/8"	2 3/8"
4508	2"	2"
4608	2 1/2"	2 1/2"
4708	2 1/2"	2 1/2"
4808,X	2 5/16"	2 5/16"
5008	2 1/4"	2 1/4"
5108	2 1/2"	2 1/2"
5308	2 1/4"	2 1/4"
5508	2 5/8"	2 5/8"
5708	2"	2"
5808	2 5/8"	2 5/8"
5908	2 5/8"	2 5/8"
6008	2 1/4"	2 1/4"
6108	2 1/4"	2 1/4"
6208	1 1/8"	1 1/8"
6308	3"	3"
6408	2 5/8"	2 5/8"
6508	2"	2"
6608	2"	2"
6708	2 1/4"	2 1/4"
6808	2 3/8"	2 3/8"
6908	2 3/8"	2 3/8"
E208	2 11/16"	2 11/16"

3 Piping:

-Install piping (not provided) to connect hot & cold valves to connector tee (see Fig. 1).
NOTE: The manufacturer recommends these connections be made in hard copper.