

Counter-Depth Refrigerator

E23CS75DSS designer series



PureAdvantage™ Water Filtration System

The most advanced water filtration system available offers cleaner, fresher ice and water. A status light alerts when the filter needs to be replaced, then with one touch, the drip-free cartridge can be exchanged.



Dynamic Cool™ with CustomSet™ Digital Temperature Control System

Amazingly consistent interior temperature will keep your food fresher longer.



Express Ice™/Express Freeze™

Creates ice according to your family's needs and quickly freezes food to lock in flavors and nutrients, with the touch of a button.



SmartFit™ Shelf

Top shelf height can be raised or lowered without removing your foods. Stores tall items easily. Shelf depth will contain a spill of up to 24 ounces.

COUNTER-DEPTH REFRIGERATOR

CAPACITIES

Total Capacity	22.6 Cu.Ft.
Fresh Food Volume	14.06 Cu.Ft.
Freezer Volume	8.5 Cu.Ft.
Total Shelf Area	23.7 Sq.Ft.
Fresh Food Shelf Area	17.26 Sq.Ft.
Freezer Shelf Area	6.4 Sq.Ft.

EXTERIOR

Ice/Water Dispenser	7 Button
Lighted Actuators	Yes
Crushed/Cubes/Water	Yes
Express Ice™/Express Freeze™	Yes
Lock	Yes
Filter Reset	Yes

FRESH FOOD CONVENIENCES

PureAdvantage™ Water Filtration System	Yes
Temperature Alarm/Door Ajar Alarm	Yes
Power Failure Alarm	Yes
Custom-Design™ Sliding Shelves with Silver Trim	2
SmartFit™ Sliding SpillSafe™ Glass Shelf	1
Clear 1-Gallon Removable Door Bin	1
Clear 2-Liter Adjustable Door Bin	2
Removable Dairy Compartment with Clear Door	1
Clear Temp-Controlled Deli/Meat Drawer with Silver Trim	1
Dual Humidity-Controlled Clear Crisper with Silver Trim	1
Lower Humidity-Controlled Clear Crisper with Silver Trim	1
Condiment Bottle Door Storage	1
In-Door Can Rack	1
Clear Can/Wine Rack	1
Clear Tall Bottle Retainer	1
Tri-Level Lighting	Yes

FREEZER CONVENIENCES

Automatic Ice Maker with Ice Server	Factory Installed
Ice Maker On/Off Switch	Yes
Glass Shelf with Silver Trim	2
Smooth-Glide™ Full-Extension Freezer Basket	1
Full-Width/Full-Extension Basket	2
Full-Width Lower Basket	1
Fixed Door Bin	1
Silver Tilt-Out Wire Door Rack	3
Ice Cream Shelf	Yes
Dual-Level Lighting	Yes

INSTALLATION

Adjustable Rollers	Yes
Door Stops	Yes

ACCESSORIES

Collar Kit* – ECK23CDS	Optional
Louvered Trim Kit* – 4480	Optional

SPECIFICATIONS

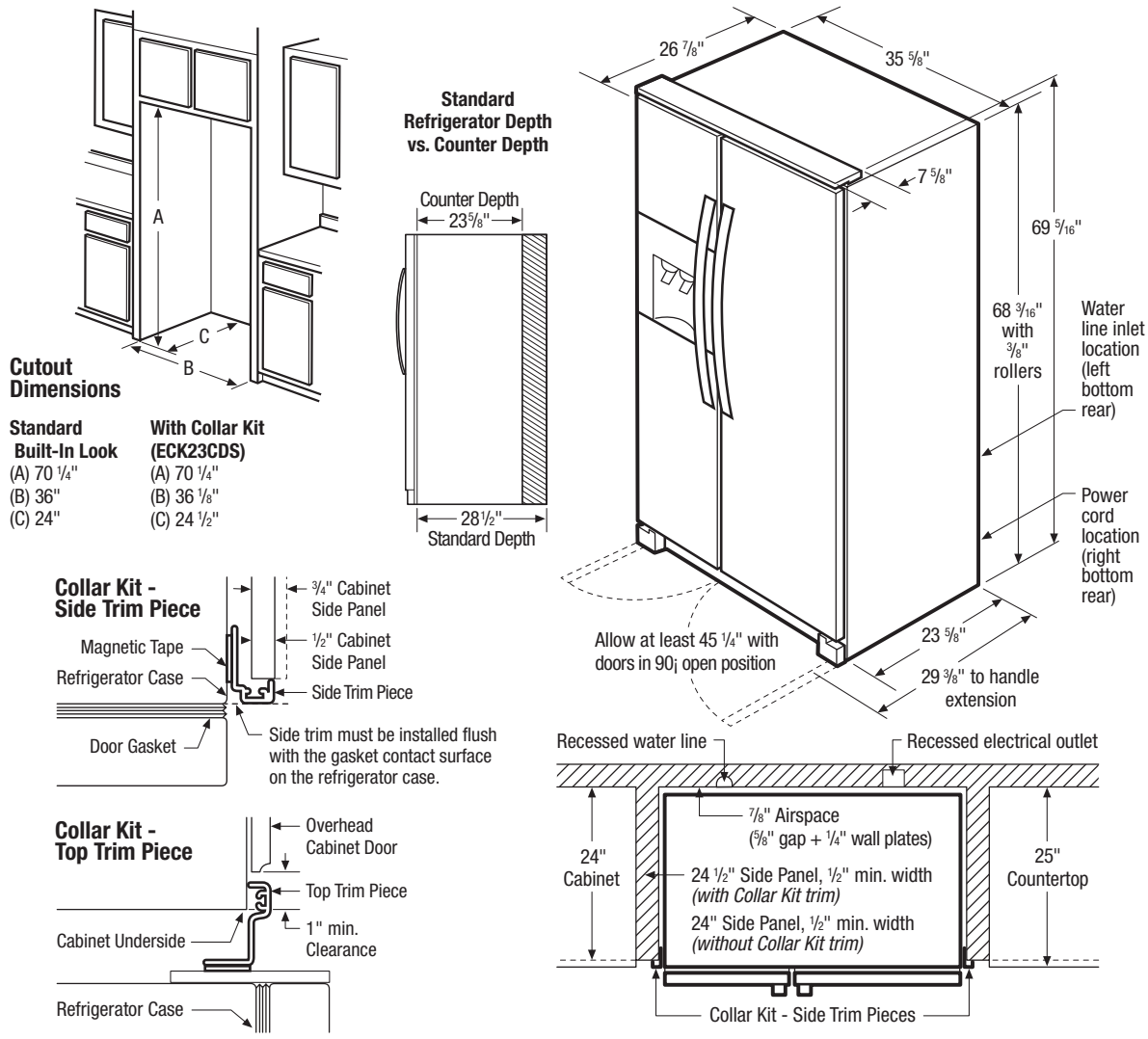
Overall Exterior Dimensions –	
Height (with 3/8" Rollers)	68-3/16"
Width	35-5/8"
Depth (Including Handle) (with 90° Door Open)	29-3/8" 45-1/4"
Power Supply Connection Location	Right Bottom Rear
Water Line Inlet Location	Left Bottom Rear
Voltage Rating	120V/60Hz/15 or 20A
Connected Load (kW Rating) @ 120 Volts†	1.02
Minimum Circuit Required (Amps)	15/20
Product Weight	300 Lbs.
Shipping Weight (Approx.)	325 Lbs.
UPC (0-12505-)	68805-8

* For detailed Louvered Trim Kit and Collar Kit installation instructions, refer to Product Installation Guides on the web at electroluxusa.com.

† For use on adequately wired 120V, dedicated circuit having 2-wire service with a separate ground wire. Appliance must be grounded for safe operation.

NOTE: Always consult local and/or national electric and plumbing codes. Refer to Product Installation Guide for detailed installation instructions on the web at www.electroluxusa.com.

Specifications subject to change.



Counter-Depth Refrigerator Specifications

- Product Weight – 300 Lbs.
- Voltage Rating – 120V/ 60Hz/ 15 or 20 Amps
- Connected Load (kW Rating) @ 120 Volts = 1.02kW (For use on adequately wired 120V, dedicated circuit having 2-wire service with a separate ground wire. Appliance must be grounded for safe operation.)
- Amps @ 120 Volts = 8.5 Amps
- Always consult local and/or national electric & plumbing codes.
- When installing next to wall allow 3-1/2" handle clearance.
- If optional Collar Kit (ECK23CDS) is to be used, refer to Collar Kit specifications on this page for different cutout dimensions.
- If optional Louvered Trim Kit (4480) is to be used, refer to Louvered Trim Kit (4480) Installation Specifications page on web for different cutout dimensions.

Standard "Built-In Look" Specifications

- Minimum opening of 70-1/4" H x 36" W x 24" D required for standard "Built-In Look." (70-1/4" H to be measured from finished floor to underside of soffit or overhead cabinet.)
- Water recess on rear wall recommended to prevent water line damage. Minimum recommended size tubing is 48" x 1/4".
- Front rollers are adjustable for "Built-In Look."

Optional Collar Kit (ECK23CDS) Specifications

- To use optional Collar Kit, an enclosure is required around refrigerator having a minimum opening of 70-1/4" H x 36-1/8" W x 24-1/2" D with 1/2" minimum side panels.
- Add maximum of 1/4" to 70-1/4" opening height when installed with frameless-style overhead cabinets, for door opening clearance.
- The cabinet or soffit above refrigerator must extend out to same depth as side panels.
- To provide additional clearance for overhead cabinet doors when in open position, allow 1" from underside of cabinet to bottom of cabinet door.
- A minimum width of 36-1/8" is required for refrigerator installation with an additional 1/2" or 3/4" added for each side panel.
- If 1/2" side panels are used, then side trim piece and panel will be even. If 3/4" side panels are used, then 1/4" of side panel will extend beyond collar trim and must be finished.

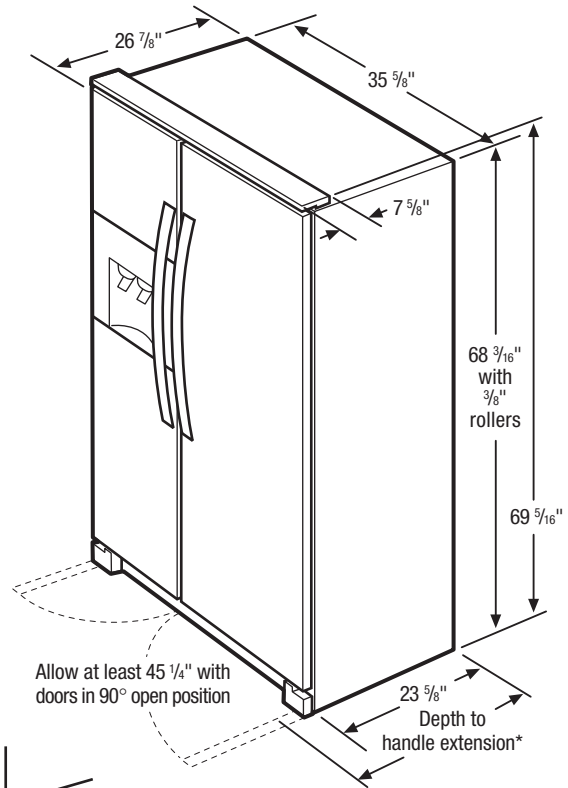
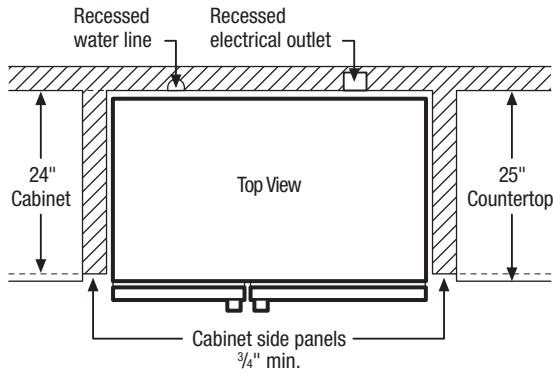
Note: For planning purposes only. Refer to Product Installation Guide on the web at electroluxusa.com for detailed instructions.

Optional Accessories

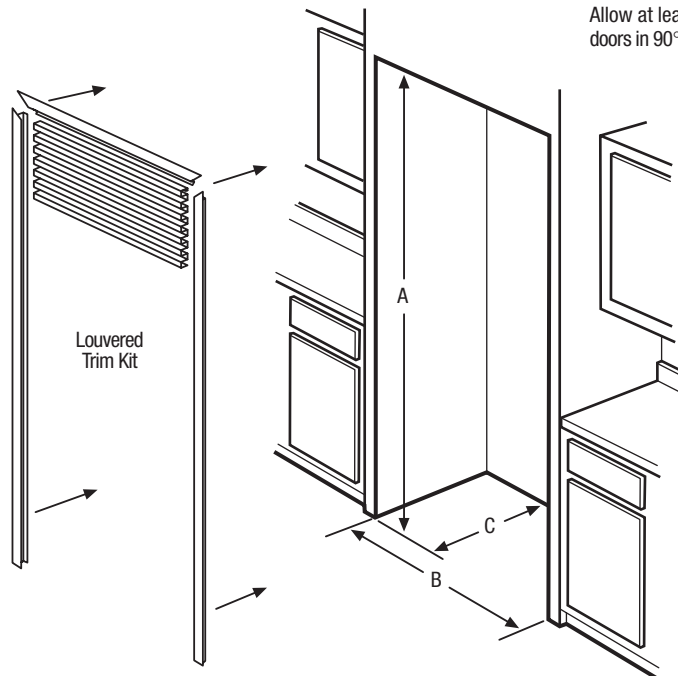
- Collar Kit – (ECK23CDS).
- Louvered Trim Kit – (4480).

Louvered Trim Kit (4480) Installation

E23CS78GPS, E23CS78GSS, E23CS75DSS



*Professional Series – 29 1/2"
Designer Series – 29 3/8"



Louvered Trim Kit (4480)

Kit includes: Louvered top grille and side/top trim pieces.

Cutout Dimensions

(A) 80 3/4" (B) 37 1/4" (C) 24" min.*

*Minimum depth requires recessed electrical outlet and water line, see illustration above.

Note: Refer to web for detailed Louvered Trim Kit (4480) Installation instructions.

Counter-Depth Refrigerator Optional Louvered Trim Kit (4480) Specifications

- To use Louvered Trim Kit (4480), an enclosure is required around Counter-Depth Refrigerator having an opening of 80-3/4" H x 37-1/4" W with a minimum depth of 24" from cabinet's front face and 3/4" minimum cabinet side panels.
- Minimum 24" depth requires recessed electrical outlet and water line.
- Cabinet or soffit above unit must extend out to same depth as side panels.

- Minimum 7' x 7' clear floor space required for Trim Kit assembly.
- For detailed Counter-Depth Refrigerator installation, refer to model-specific product page and installation guide on web.
- Louvered Trim Kit (4480) can also be used with Electrolux ICON™ refrigerator models E23CS78EPS and E23CS78ESS.

Note: For planning purposes only. Refer to Product Installation Guide on the web at electroluxusa.com for detailed instructions.