

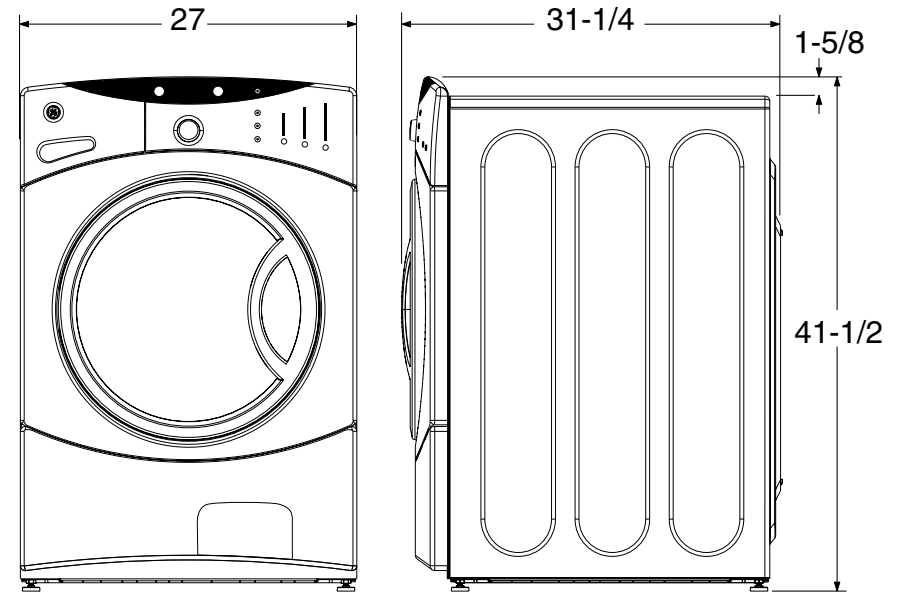
WBVH5300K

GE® ENERGY STAR® 4.0 IEC Cu. Ft. King-Size Capacity Frontload Washer with Stainless Steel Basket

Dimensions and Installation Information (in inches)

Electric Dryer Rating	
120V	12.0A, 60Hz

Installation Information: For complete information, see installation instructions packed with your washer.



For answers to your Monogram®, GE Profile™ or GE® appliance questions, visit our website at ge.com or call GE Answer Center® service, 800.626.2000.



imagination at work



Listed by
Underwriters
Laboratories

WBVH5300K

GE® ENERGY STAR® 4.0 IEC Cu. Ft. King-Size Capacity Frontload Washer with Stainless Steel Basket

Special Installation Requirements:

Stacked Installation:

- Brackets for stacking dryer over washer are not included with the washer. Order part no. GEFLSTACK.

Alcove or Closet Installation:

- If your dryer is approved for installation in an alcove or closet, it will be stated on a label on the dryer back.
- The dryer MUST be exhausted to the outside.
- Minimum clearances between dryer cabinet and adjacent walls or other surfaces are: 0" either side, 3" front and rear
- Minimum vertical space from floor to overhead cabinets, ceilings, etc. is 52".
- Closet doors must be louvered or otherwise ventilated and must contain a minimum of 60 sq. in. of open area equally distributed. If this closet contains both a washer and a dryer, doors must contain a minimum of 120 sq. in. of open area equally distributed.
- No other fuel-burning appliance shall be installed in the same closet with a gas dryer.

Bathroom or Bedroom Installation:

- The dryer MUST be exhausted to the outdoors.
- The installation must conform with the local codes, or in the absence of local codes, with the National Fuel Gas Code, ANSI Z223.

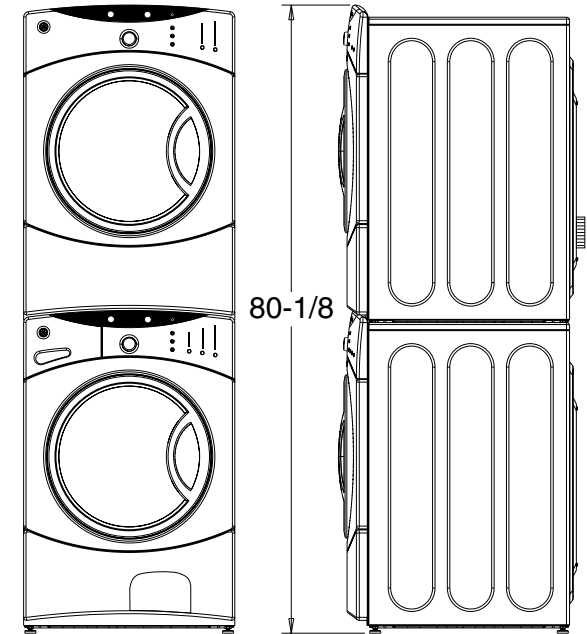
Minimum Clearance other than Alcove or Closet Installations:

- Minimum clearances to combustible surfaces 0" both sides, 3" rear.

For more information on venting kits and accessories, please call 1-800-GE-CARES.

For answers to your Monogram®, GE Profile™ or GE® appliance questions, visit our website at ge.com or call GE Answer Center® service, 800.626.2000.

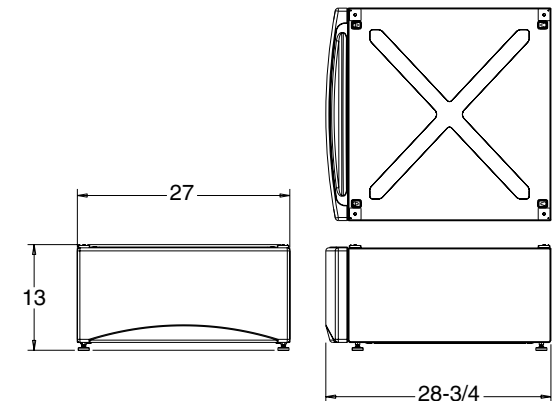
Stacked Dimensions (in inches)



Pedestal Dimensions (in inches)

SBSD137HWW - white

This optional 13" pedestal raises the door opening and height of the washer or dryer. Feet on 13" pedestal allow it to adjust to 13-3/8" height.



WBVH5300K

GE® ENERGY STAR® 4.0 IEC Cu. Ft. King-Size Capacity Frontload Washer with Stainless Steel Basket

Features and Benefits

- ENERGY STAR® Qualified - Meets or exceeds federal guidelines for energy efficiency for year-round energy to help save money
- 4.0 cu. ft. IEC king-size stainless steel basket - Handles a king-size comforter or 24 full-size bath towels with ease
- Rotary electronic controls with LED indicators - LED indicators let you know exactly which cycle is in progress
- Adaptive Logic™ system - Tracks water pressure and stores information from previous cycles to calculate optimal cycle times
- HydroMotion™ wash action - Reversing wash action offers great cleaning performance with gentle wash motion
- PerfectTemp™ temperature management system - Regulates wash water temperatures for proper fabric care
- 4 wash/rinse temperatures - Provide numerous options for removing dirt and stains and reducing fabric wear
- 5 wash/spin speed combinations - Washer alternates speeds for great clothes care
- Quiet-By-Design™ - Special insulating materials help muffle operating noise
- Speed Wash - Provides a quick wash for lightly soiled items that are needed in a hurry
- Delay start - Set the washer or dryer to begin cycles whenever it's convenient for you
- 14 wash cycles - Discover a variety of fabric-specific settings, from heavy cottons/whites to easy-care colors
- 1000 RPM spin speed - Fast speeds remove more water during the spin cycle to minimize drying time
- Model WBVH5300KWW – White on white



Modified Energy Factor (MEF)	2.32
Water Factor (WF)	3.75



imagination at work

