

Viking Installation Guide



Viking Range Corporation

111 Front Street

Greenwood, Mississippi 38930 USA

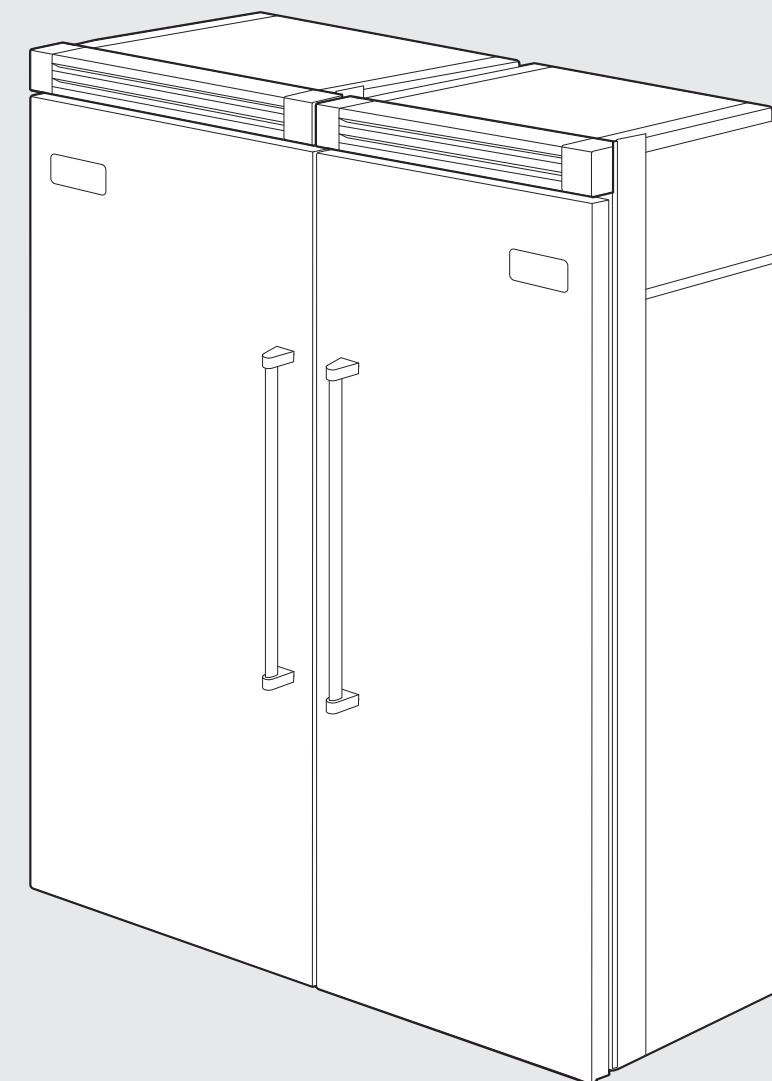
(662) 455-1200

For product information,

call 1-888-VIKING1 (845-4641)

or visit the Viking Web site at

vikingrange.com



Built-In Refrigeration Top Grille Installation (Dual Installation)



Table of Contents


Warnings & Important Information _____	3
General Information _____	6
Unpacking & Moving _____	8
Grille Removal _____	9
Professional & Professional Integrated	
Dimensions (Dual 30" Professional) _____	10
Dimensions (Dual 30" & 36" Professional) _____	11
Dimensions (Dual 36" Professional) _____	12
Specifications (Dual Professional) _____	13
Dimensions (Dual 30" Professional Integrated) _____	14
Dimensions (Dual 30" & 36" Professional Integrated) _____	15
Dimensions (Dual 36" Professional Integrated) _____	16
Specifications (Dual Professional Integrated) _____	17
Cutout Dimensions (Dual 30" Professional & Professional Integrated) _____	18
Anti-Tip Dimensions (Dual 30" Professional & Professional Integrated) _____	19
Cutout Dimensions (Dual 30" & 36" Professional & Professional Integrated) _____	20
Anti-Tip Dimensions (Dual 30" & 36" Professional & Professional Integrated) _____	21
Cutout Dimensions (Dual 30" Professional & Professional Integrated) _____	22
Anti-Tip Dimensions (Dual 36" Professional & Professional Integrated) _____	23
Side Trim Installation (Professional & Professional Integrated) _____	24
Grille Assembly (Professional & Professional Integrated) _____	26
Designer & Custom	
Dimensions (Dual 30" Designer & Custom) _____	30
Dimensions (Dual 30" & 36" Designer & Custom) _____	31
Dimensions (Dual 36" Designer & Custom) _____	32
Specifications (Dual Designer & Custom) _____	33
Cutout Dimensions (Dual 30" Designer) _____	34
Anti-Tip Dimensions (Dual 30" Designer) _____	35
Cutout Dimensions (Dual 30" & 36" Designer) _____	36
Anti-Tip Dimensions (Dual 30" & 36" Designer) _____	37
Cutout Dimensions (Dual 36" Designer) _____	38
Anti-Tip Dimensions (Dual 36" Designer) _____	39
Side Trim Installation (Designer & Custom) _____	40
Grille Assembly (Designer) _____	42
Grille Assembly (Custom) _____	46

IMPORTANT—Please Read and Follow!

- Make sure that incoming voltage is the same as unit rating. An electric rating plate specifying voltage, frequency, wattage, amperage, and phase is attached to the product.
- To reduce the risk of fire, electric shock, or injury to persons, installation work and electrical wiring must be done by qualified people in accordance with all applicable codes and standards, including fire-rated construction.
- The installer should leave these instructions with the consumer who should retain them for local inspector's use and for future reference.

Your safety and the safety of others is very important.

We have provided many important safety messages in this manual and on your appliance. Always read and obey all safety messages.

 This is the safety alert symbol. This symbol alerts you to hazards that can kill or hurt you and others.

All safety messages will be preceded by the safety alert symbol and the word "DANGER" or "WARNING." These words mean:

 **DANGER**

You will be killed or seriously injured if you don't follow instructions.

 **WARNING**

You can be killed or seriously injured if you don't follow instructions.

All safety messages will identify the hazard, tell you how to reduce the chance of injury, and tell you what can happen if the instructions are not followed.

IMPORTANT—Please Read and Follow!

A GFI shall be used if required by NFPA-70 (National Electric Code), federal/state/local laws, or local ordinances.

- The required use of a GFI is normally related to the location of a receptacle with respect to any significant sources of water or moisture.
- Viking Range Corporation will NOT warranty any problems resulting from GFI outlets which are not installed properly or do not meet the requirements below.

If the use of a GFI is required, it should be:

- Of the receptacle type (breaker type or portable type NOT recommended)
- Used with permanent wiring only (temporary or portable wiring NOT recommended)
- On a dedicated circuit (no other receptacles, switches or loads in the circuit)
- Connected to a standard breaker of appropriate size (GFI breaker of the same size NOT recommended)
- Rated for Class A (5 mA +/- 1 mA trip current) as per UL 943 standard)
- In good condition and free from any loose-fitting gaskets (if applicable in outdoor situations)
- Protected from moisture (water, steam, high humidity) as much as reasonably possible

IMPORTANT—Please Read and Follow!


It is your responsibility to:

- comply with installation specifications and dimensions.
- properly install unit.
- remove any moldings or decorative panels that prevent the unit from being serviced.
- make sure that you have these materials (not provided with your unit), which are necessary for proper installation:
 - 1/4" (6 mm) copper tubing with shutoff valve
 - 6- #8 x 3" (7.6 cm) wood screws (longer screws may be required)
 - 1- Saddle valve (do not use self-piercing feature of the valve)
- assure that floor will support unit, door panels and contents (approximately 1200 pounds [540 kg]).
- provide a properly grounded electrical outlet.
- assure that location will permit appliance doors to open 90° minimum.

⚠ WARNING

ELECTRICAL SHOCK HAZARD

Disconnect power or turn power disconnect switch to OFF position before removing top grille. Failure to do so can result in death or electrical shock.



⚠ WARNING

TIP OVER HAZARD

Appliance is top heavy and tips easily when not completely installed. Keep doors closed until appliance is completely installed and secured per installation instructions.

Use two or more people to move and install appliance. Failure to do so can result in death or serious injury.



Most of the unit's weight is at the top. Extra care is needed when moving the unit to prevent tipping. Use cardboard shipping material or plywood under unit until it is installed in the operating position to protect floor surface.

General Information

Area Requirements

Verify the following:

- Unit can fit into residence and can be moved around corners and through doorways.
- Floors can support unit's weight plus food weight (approximately 1200 pounds [540 kg] per unit).
- Rear wall is solid and is able to support two horizontally mounted 2 X 4s (included) bolted to two wall studs. The 2 X 4 board bolt heads must be flush with 2 X 4 to prevent obstruction.
- Remove anything attached to rear or side walls that can obstruct unit installation.
- Cutout dimensions are accurate.
- Electrical outlet is in correct location.
- Water line is in correct location.
- Do not install a refrigeration unit near a heat source, nor in a location where the surrounding temperature will fall below 60° F (16° C).

Electrical Requirements

It is the customer's responsibility to:

- contact a qualified electrical installer.
- assure that the electrical installation is adequate and in conformance with the National Electrical Code, ANSI/NFPA 70- latest edition or Canadian Electrical Code C22.1-1998 and C22.2 No. 0-M91 (or latest edition), and all local codes and ordinances. A 115 volt, 60-Hz, 15 amp,

fused, electrical supply is required. It is required that a separate circuit serving only this appliance be provided. This appliance is equipped with a power supply cord having a 3-prong grounding plug. To minimize possible shock hazard, the cord must be plugged into a mating 3-prong, grounding-type wall receptacle.

Do not use an extension cord.

If codes permit a separate grounding wire to be used, it is recommended that a qualified electrician determine that the grounding path is adequate.

DO NOT ground to a gas pipe. Check with a qualified electrician if you are not sure the appliance is properly grounded. **DO NOT** have a fuse in the neutral or grounding circuit.

Anti-Tip Requirements

The anti-tip boards should be fastened into position prior to moving the unit into the opening.

Note: *Additional mounting boards may be required if the unit does not touch the back wall of the enclosure. To prevent unit from tipping forward, it must be secured in place with a solid soffit or wood block.*

General Information

Water Supply Requirements

⚠ WARNING

To avoid serious illness or death, do not use unit where water is microbiologically unsafe or of unknown quality without adequate disinfection before or after the system. Systems certified for cyst reduction may be used on disinfected water that may contain filterable cysts. The contaminants or other substances removed or reduced by this water treatment system are not necessarily in you water.

Use only 1/4" (6 mm) copper tubing for water line. Do Not install copper tubing in area where temperatures drop below 35° F (1.7° C). Before attaching copper tubing to the unit, flush at least 2 quarts (1.9 L) of water through the copper tubing and into a bucket to remove any particles in the water line.

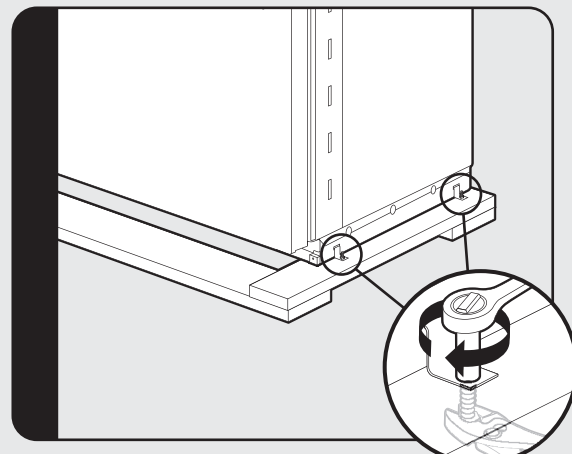
- **Viking Range Corporation is not responsible for property damage due to improper installation or water connection.**
- Connect 1/4" (6 mm) flexible copper tubing to household plumbing in compliance with local codes and ordinances.
- Length of copper tubing must reach from water supply connection to the unit connection with an additional length to facilitate moving the unit out of enclosure for cleaning or service. Tubing should be soft instead of rigid and ends should be free of burrs.
- Copper tubing route must be above 35° F (1.7° C) to prevent water line from freezing.

- **Do not use plastic water lines from the household plumbing to the water inlet valve connection on the refrigeration unit.**
- **Do not use the self-piercing feature of a saddle valve.** The hole made by the piercing lance is too small for the water flow rate required by the ice maker.
- If saddle valve is not used, place a separate shut-off valve in an easily accessible location between water supply and the unit. Do not locate shut-off valve behind the unit.
- The installation of Viking units with a reverse osmosis system is acceptable **as long as the water pressure remains within the allowable PSI as stated below.** It is important to note that with many reverse osmosis systems, the pressure starts off high, but then it decreases as the water level of the reverse osmosis storage area drops. This must be considered when checking the water pressure coming into the unit.
- Connect a vertical or horizontal 1/2" (1.2 cm) to 1-1/4" (3.2 cm) COLD water line near water area.
- Run water line through the floor, back, or side wall. Tubing should lay flat on floor underneath the unit. Clamp tubing to wall or floor.
- Water pressure must be greater than 20 psi and less than 120 psi on non-dispensers and greater than 35 psi and less than 120 psi on dispensers.

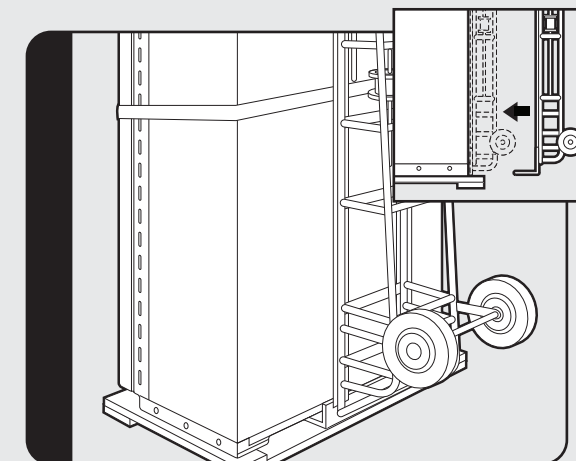
General Information

- Most of the unit's weight is at the top. Extra care is needed when moving the unit to prevent tipping.
- Do Not remove protective film until unit is in operating position.
- All four leveling legs must contact the floor to support and stabilize the full weight.
- Do not drop unit.
- Remove exterior shipping materials prior to moving unit into home.
- Use two or more people to move and install unit. Failure to follow this instruction can result in back or other injury.
- To avoid personal injury, wear gloves when performing any installation procedure and wear eye protection when cutting metal straps.

Moving Unit



Remove shipping brackets from skid by removing 4 bolts (2 on each side) with a 1/2" deep-well socket wrench and a pair of pliers.
Note: Tilting unit is not required to remove shipping brackets.



Slip appliance dolly between unit and skid. Only use dolly from the rear of the unit to remove unit from skid. After the unit is removed from the skid, a dolly can be used from either side or the back BUT NOT THE FRONT.
Note: Use excess packaging to protect decorative trim; also, verify that leveling legs are up (0" adjustment).

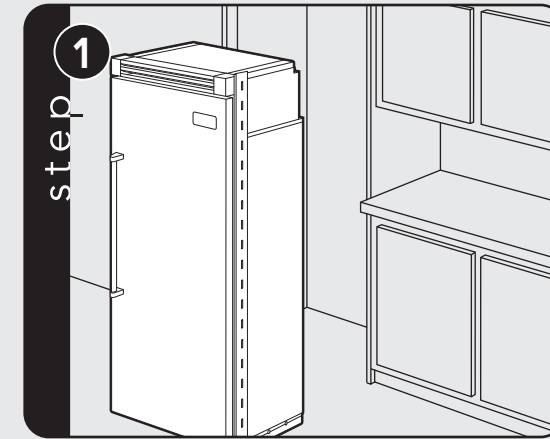
TIP OVER HAZARD

Appliance is top heavy and tips easily when not completely installed. Keep doors closed until appliance is completely installed and secured per installation instructions. Use two or more people to move and install appliance. Failure to do so can result in death or serious injury.

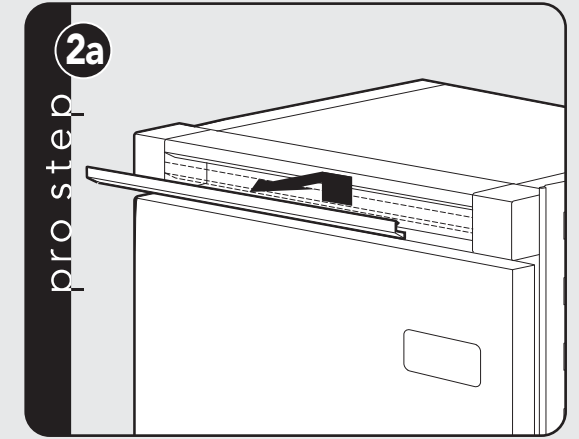
Unpacking unit

1. Remove top and bottom strap.
2. Remove top cap.
3. Cut carton rear approximately 1/4" (0.6 cm) to 1" (2.5 cm) from right corner with a utility knife extended 1/4" (0.6 cm).
4. Remove carton and exterior packaging. Save cardboard shipping material to protect floor surface when installing unit. Remove anti-tip board, kickplate and door trim pieces (DF models) from rear of unit.

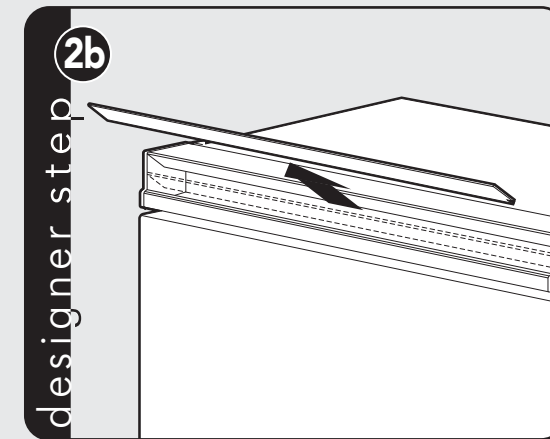
Grille Removal



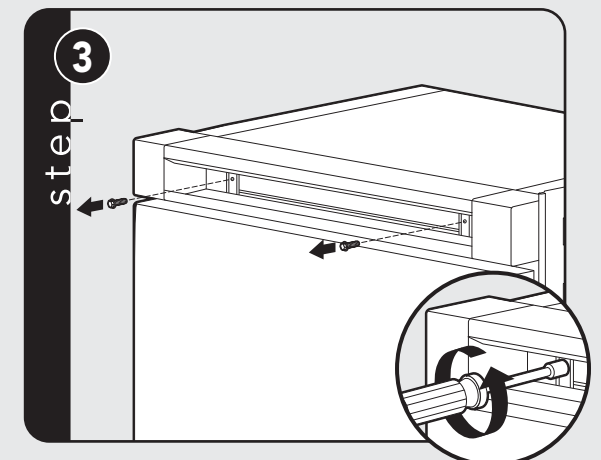
Place unit in front of cutout.



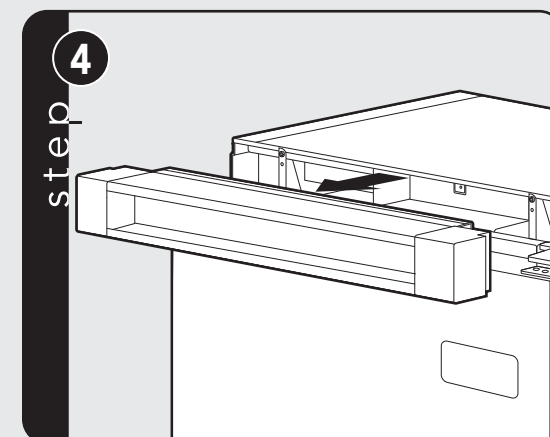
(Professional) Lift center grille louver up and pull out.



(Designer) Pull the center grille louver at an angle and pull out.



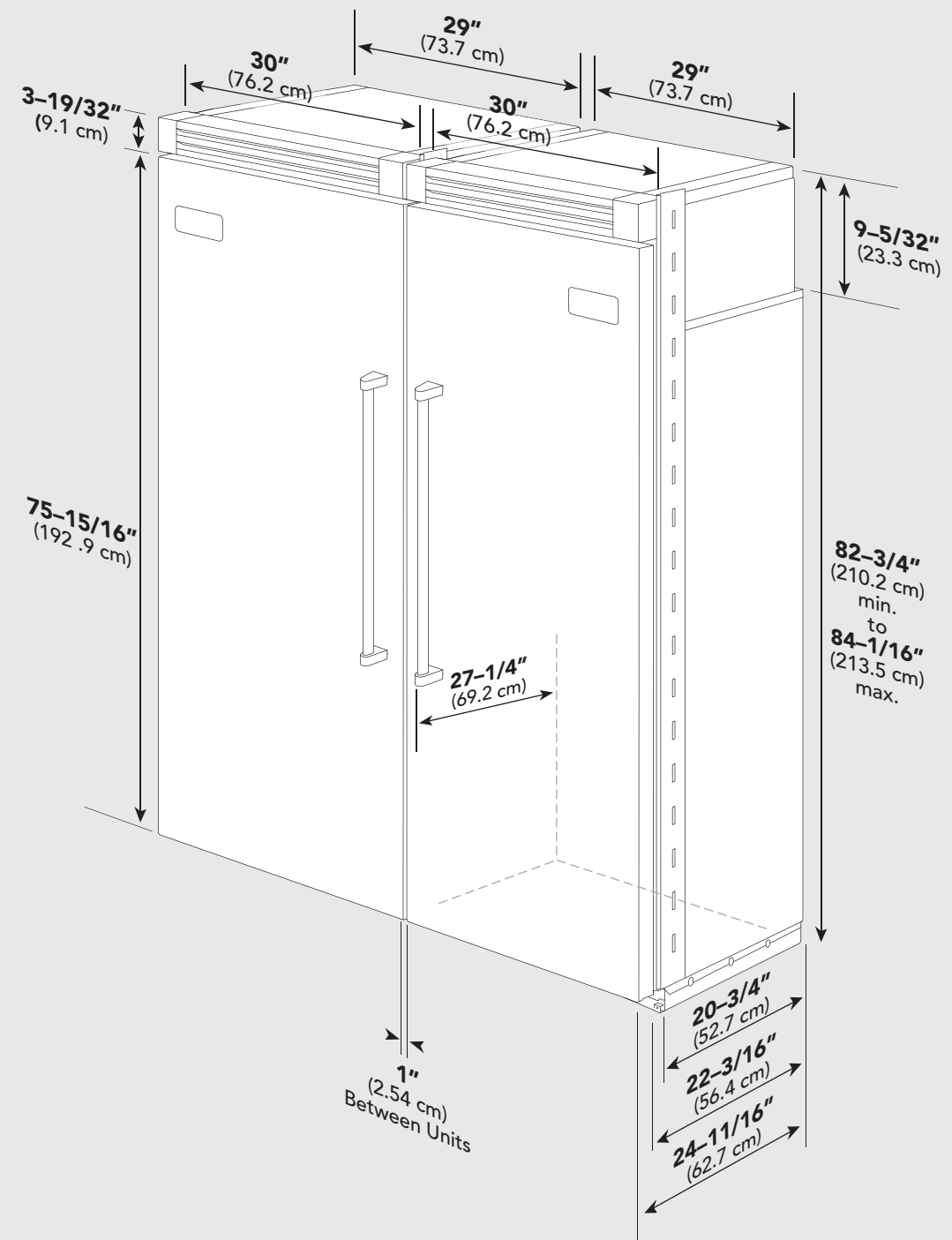
Using an 8" magnetic nut driver, remove the two 1/4" screws.



Remove grille assembly.

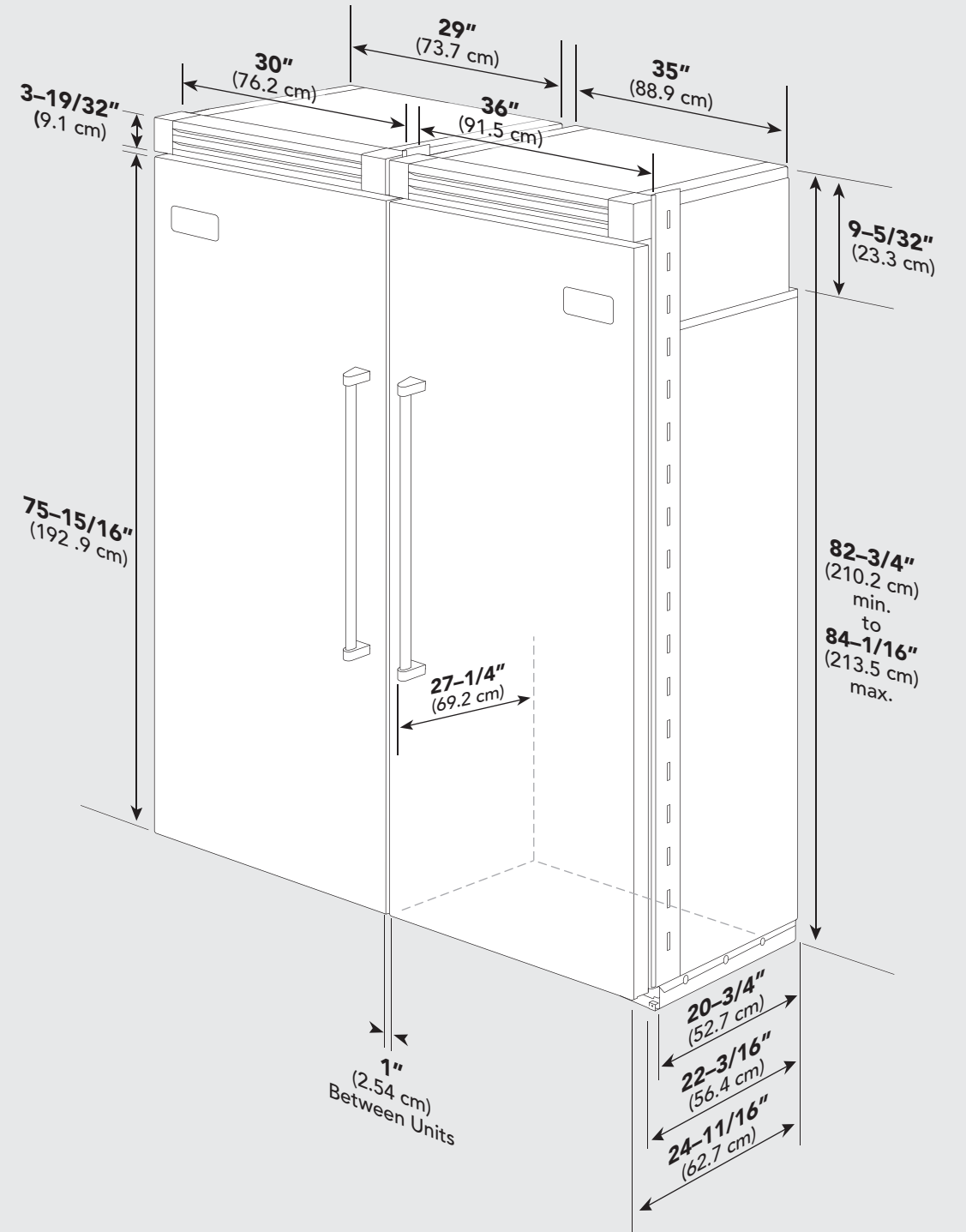
Dimensions

Dual 30" Professional

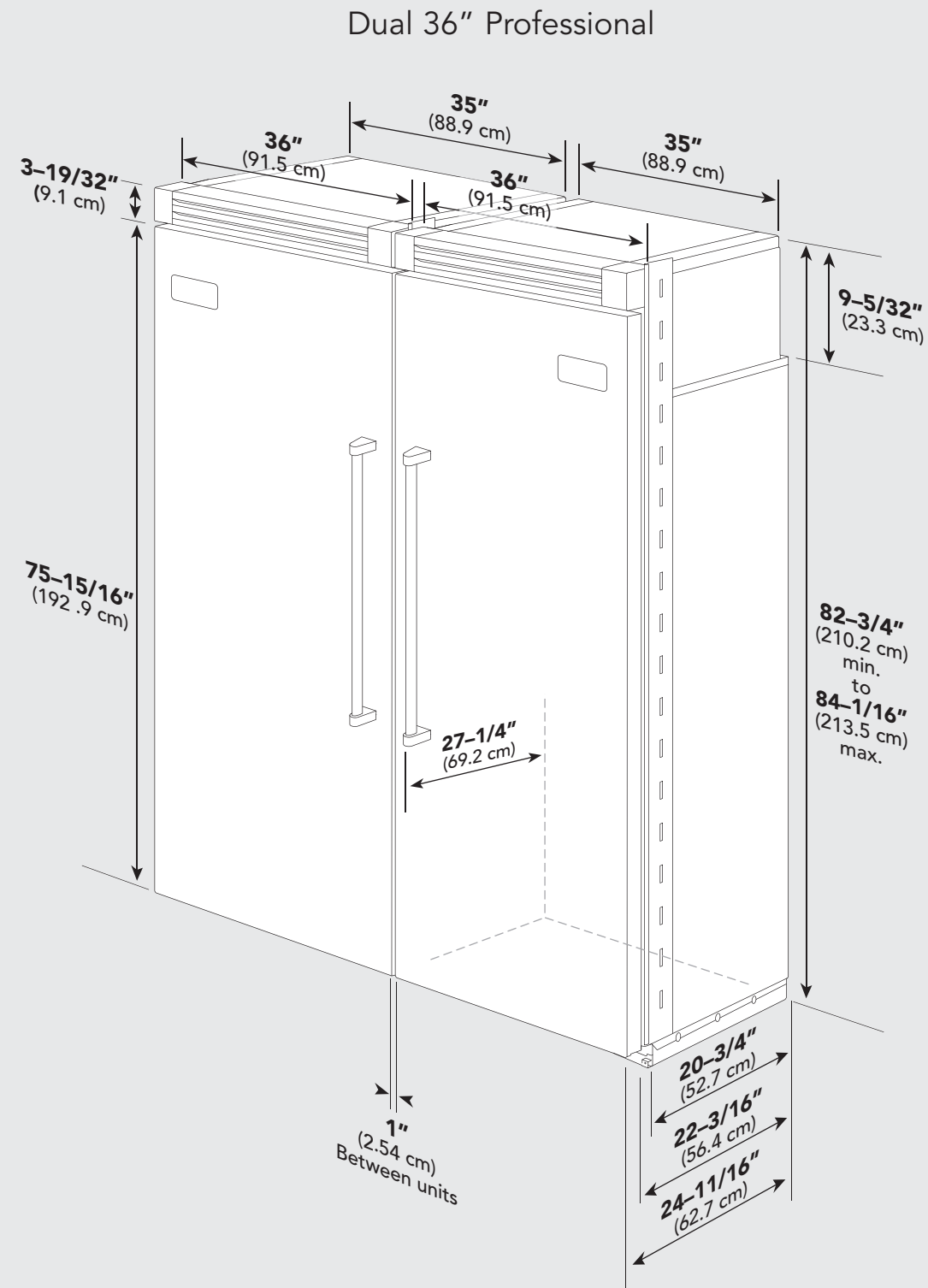


Dimensions

Dual 30" & 36" Professional



Dimensions



Specifications

Dual Professional*			
Description	(2) 30" Units	(1) 36" & (1) 30" Unit	(2) 36" Units
Overall width	60" (152.4 cm)	66" (167.6 cm)	72" (182.9 cm)
Overall height from bottom	82-3/4" (210.2 cm) min. to 84-1/16" (213.5 cm) max.		
Overall depth from rear	To front edge of side trim: 22-3/16" (56.4 cm) To front of top grille: 24-11/16" (62.7 cm) To front of handle endcap: 27-1/4" (69.2 cm)		
Cutout width	59-1/2" (151.1 cm)	65-1/2" (166.4 cm)	71-1/2" (181.6 cm)
Cutout height	82-7/8" (210.5 cm) min. to 84-1/16" (213.5 cm) max.		
Cutout depth	24" (61.0 cm) min.		
Electrical requirements	(2) 115 volt, 60 Hz, 15 amp dedicated circuit; 3-wire cord with grounded 3-prong plug attached to product		
Maximum amp usage	30" Freezer 9.1 amps per unit 30" Refrigerator 5.7 amps per unit 36" Freezer 9.5 amps per unit 36" Refrigerator 6.5 amps per unit 36" Bottom Mount 9.9 amps per unit		
Inlet water requirements (All Freezer only)	1/4" copper tubing inlet waterline; minimum 20 psi; maximum 120 psi		
Overall interior dimensions	30" Freezer 15.9 cu. ft. (450 liters) 30" Refrigerator 18.2 cu. ft. (516 liters) 36" Freezer 19.1 cu. ft. (541 liters) 36" Refrigerator 22.8 cu. ft. (646 liters) 36" Bottom Mount 20.3 cu. ft. total (576 liters)		
Approximate shipping weight	30"- Freezer 530 lbs. (238.5 kg) each; Refrigerator 505 lbs. (227.3 kg) each 36"- Freezer 585 lbs. (263.3 kg) each; Refrigerator 570 lbs. (256.5 kg) each 36"- Bottom Mount 565 lbs. (254.3 kg)		

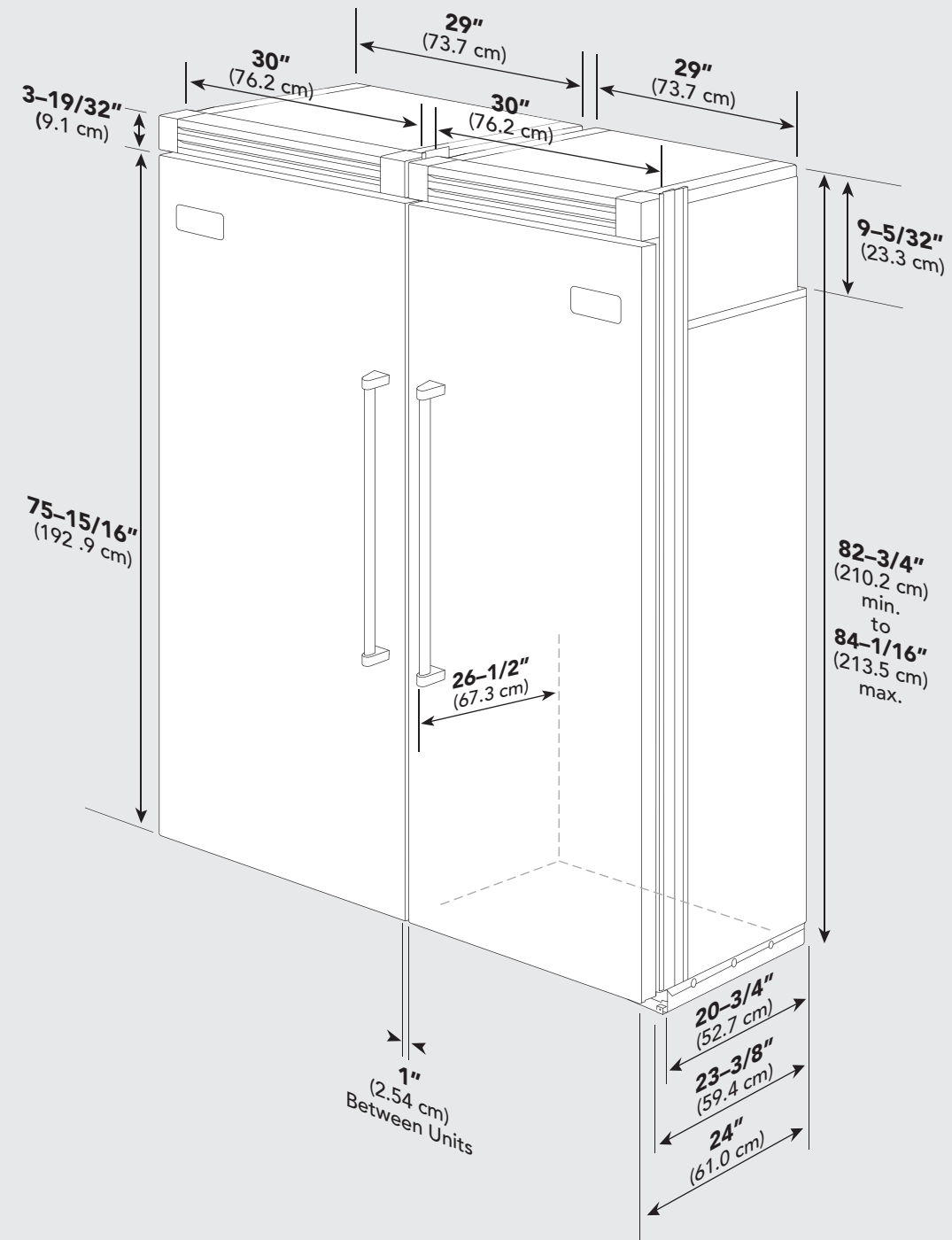
*For installation of two units side-by-side, a separate grille kit accessory must be purchased.

Note: Bottom mount models cannot be installed in a dual installation with All Refrigerators/All Freezers.

Designer Only: Full overlay models fit flush in 25" (63.5 cm) deep cabinet openings. They can be installed in standard 24" (61.0 cm) deep openings. The door faces and top grille will protrude 3/4" (1.9 cm) into the room.

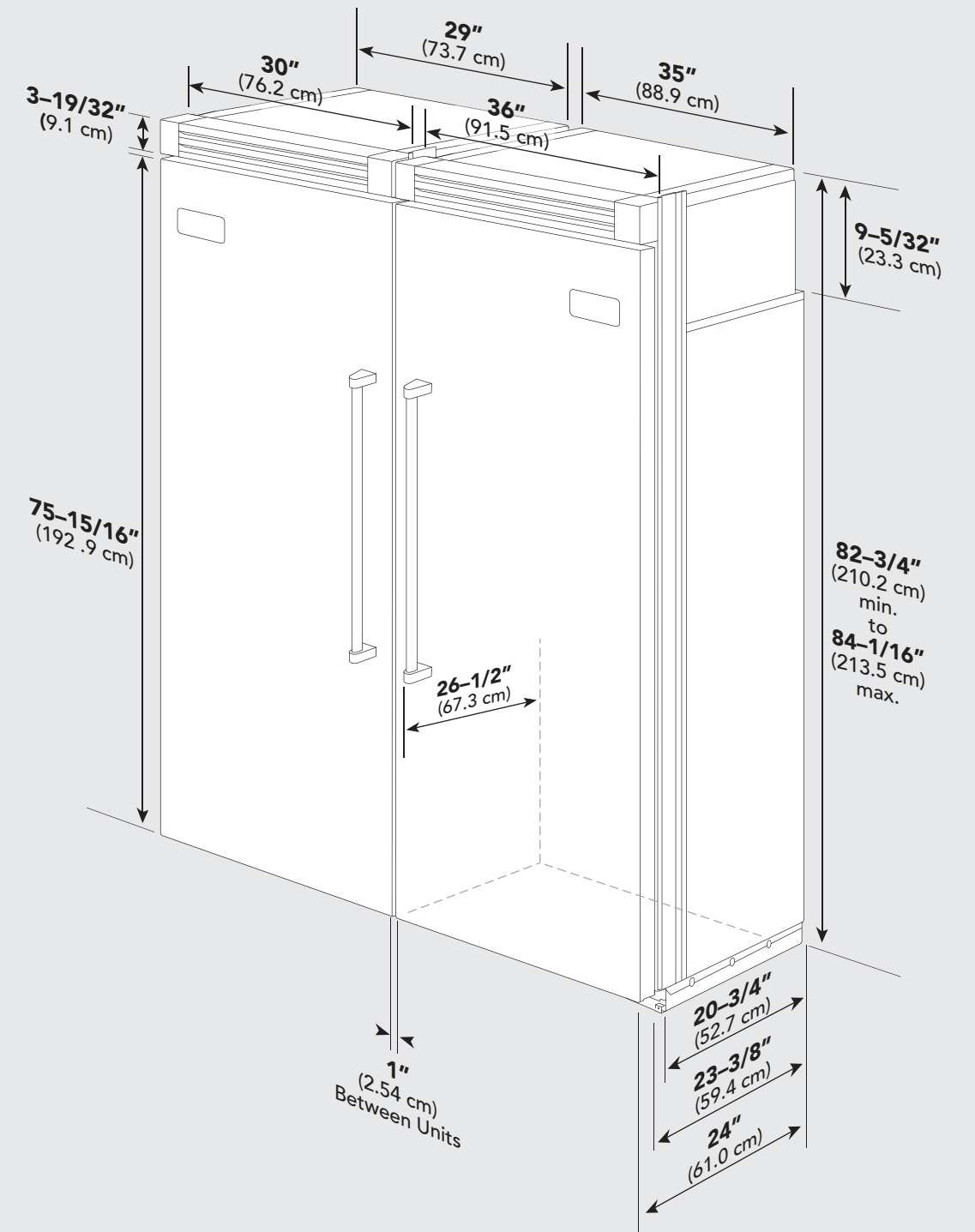
Dimensions

Dual 30" Professional Integrated

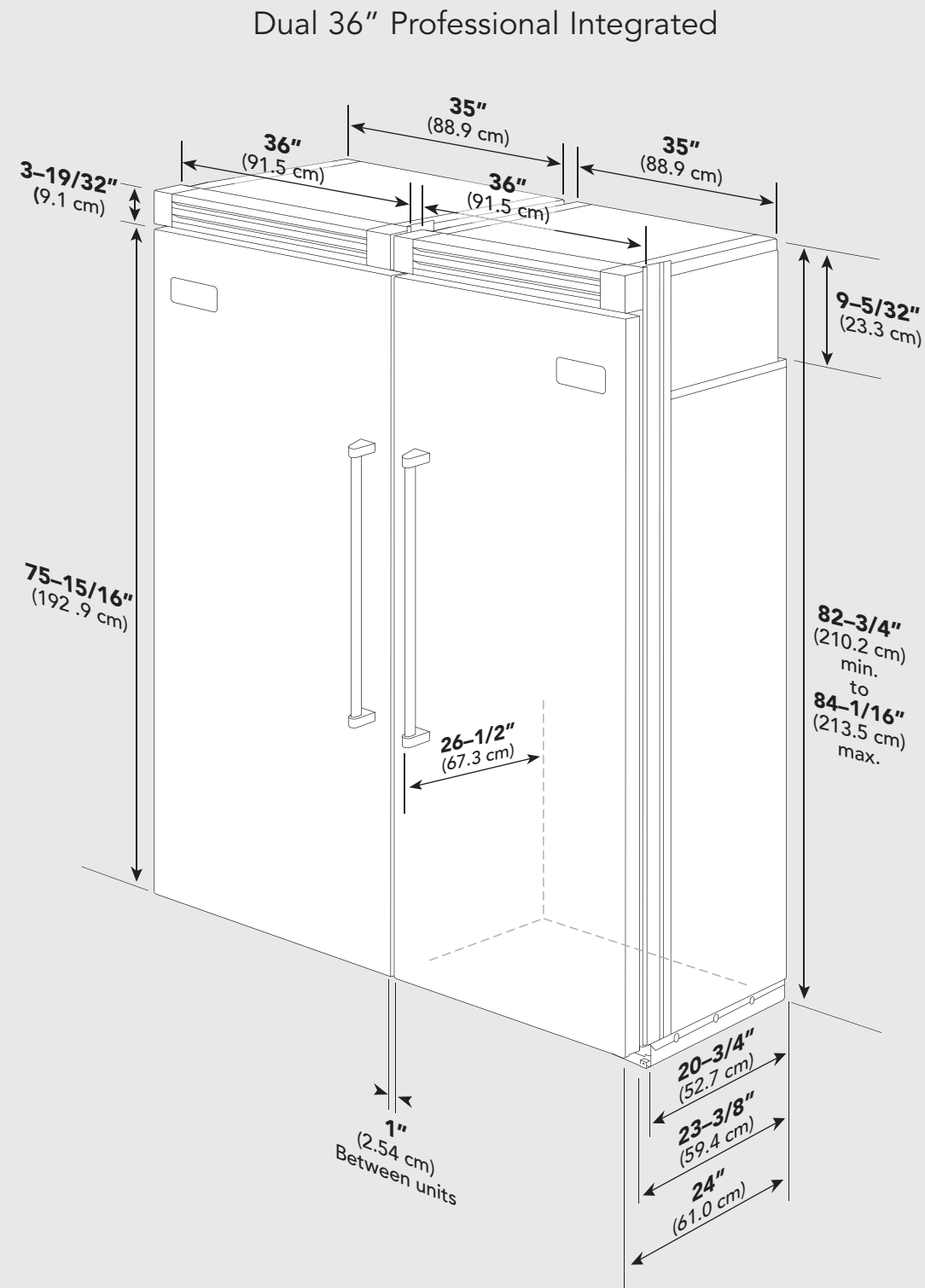


Dimensions

Dual 30" & 36" Professional Integrated



Dimensions



Specifications

Dual Professional Integrated*			
Description	(2) 30" Units	(1) 36" & (1) 30" Unit	(2) 36" Units
Overall width	60" (152.4 cm)	66" (167.6 cm)	72" (182.9 cm)
Overall height from bottom	82-3/4" (210.2 cm) min. to 84-1/16" (213.5 cm) max.		
Overall depth from rear	To front edge of side trim: 23-3/8" (59.4 cm) To front of top grille: 24" (61.0 cm) To front of handle endcap: 26-1/2" (67.3 cm)		
Cutout width	60" (152.4 cm)	66" (167.6 cm)	72" (182.9 cm)
Cutout height	82-7/8" (210.5 cm) min. to 84-1/16" (213.5 cm) max.		
Cutout depth	24" (61.0 cm) min.		
Electrical requirements	(2) 115 volt, 60 Hz, 15 amp dedicated circuit; 3-wire cord with grounded 3-prong plug attached to product		
Maximum amp usage	30" Freezer 9.1 amps per unit 30" Refrigerator 5.7 amps per unit 36" Freezer 9.5 amps per unit 36" Refrigerator 6.5 amps per unit 36" Bottom Mount 9.9 amps per unit		
Inlet water requirements (All Freezer only)	1/4" copper tubing inlet waterline; minimum 20 psi; maximum 120 psi		
Overall interior dimensions	30" Freezer 15.9 cu. ft. (450 liters) 30" Refrigerator 18.2 cu. ft. (516 liters) 36" Freezer 19.1 cu. ft. (541 liters) 36" Refrigerator 22.8 cu. ft. (646 liters) 36" Bottom Mount 20.3 cu. ft. total (576 liters)		
Approximate shipping weight	30"- Freezer 530 lbs. (238.5 kg) each; Refrigerator 505 lbs. (227.3 kg) each 36"- Freezer 585 lbs. (263.3 kg) each; Refrigerator 570 lbs. (256.5 kg) each 36"- Bottom Mount 565 lbs. (254.3 kg)		

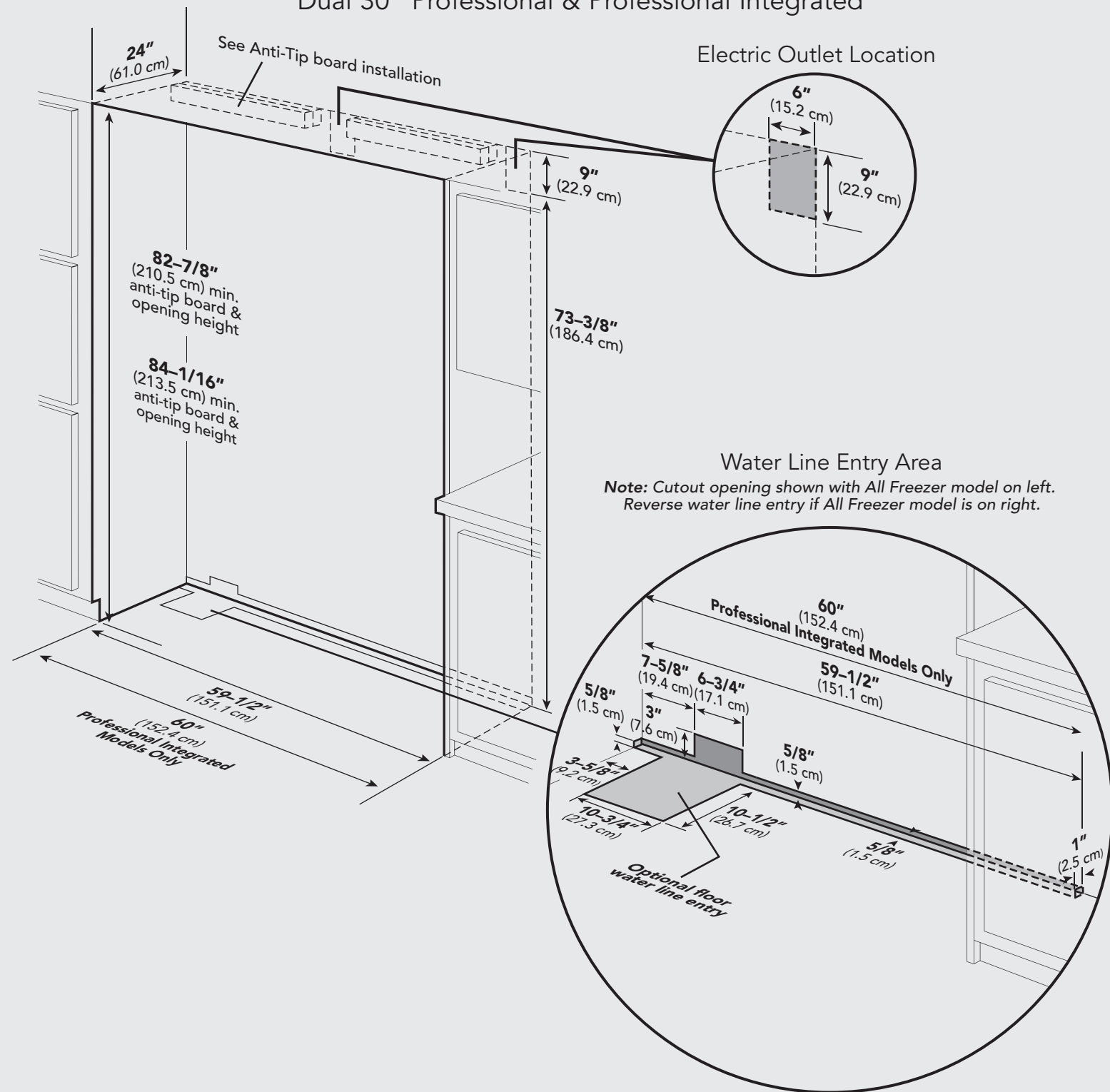
*For installation of two units side-by-side, a separate grille kit accessory must be purchased.

Note: Bottom mount models cannot be installed in a dual installation with All Refrigerators/All Freezers.

Designer Only: Full overlay models fit flush in 25" (63.5 cm) deep cabinet openings. They can be installed in standard 24" (61.0 cm) deep openings. The door faces and top grille will protrude 3/4" (1.9 cm) into the room.

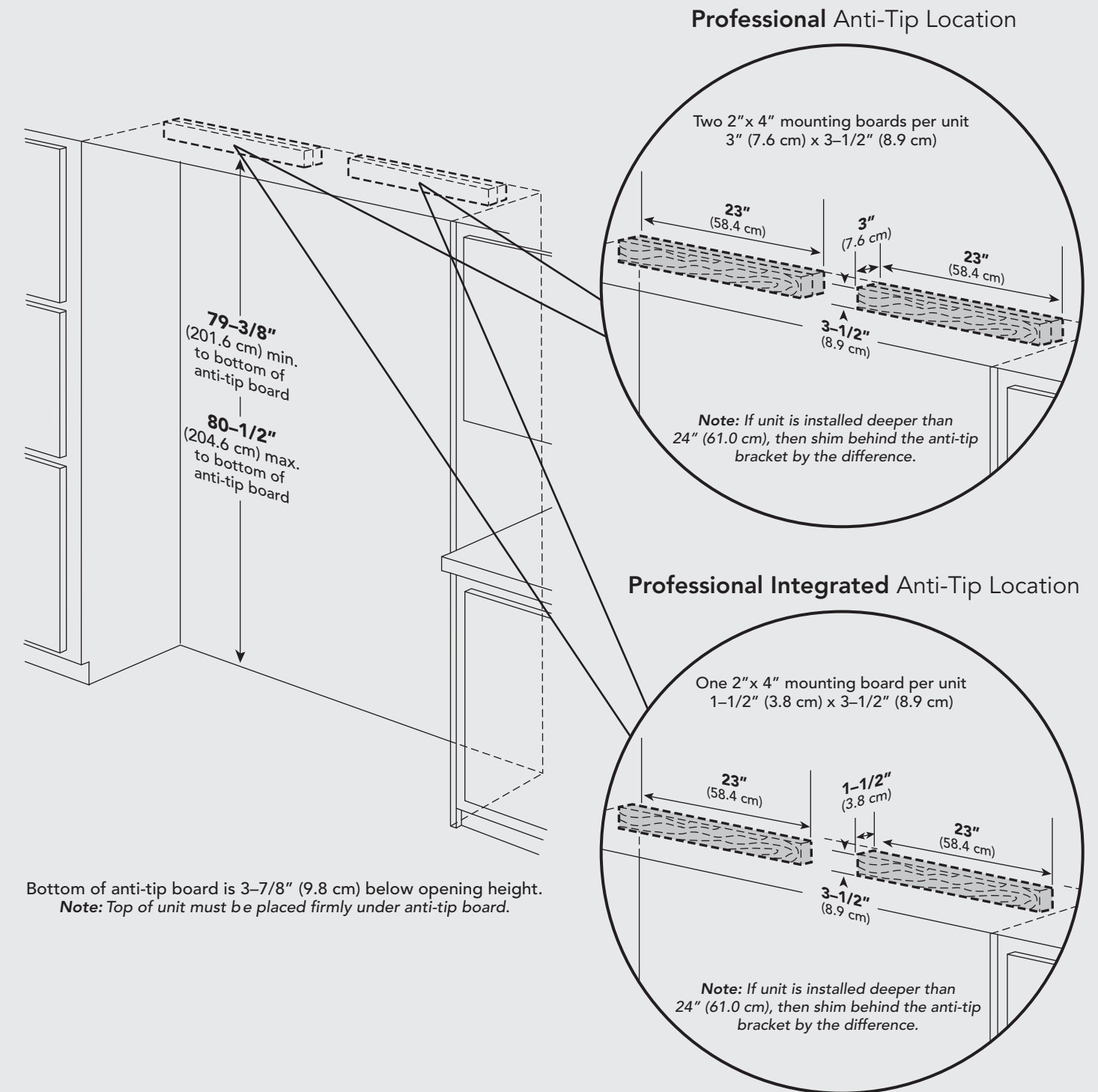
Cutout Dimensions

Dual 30" Professional & Professional Integrated

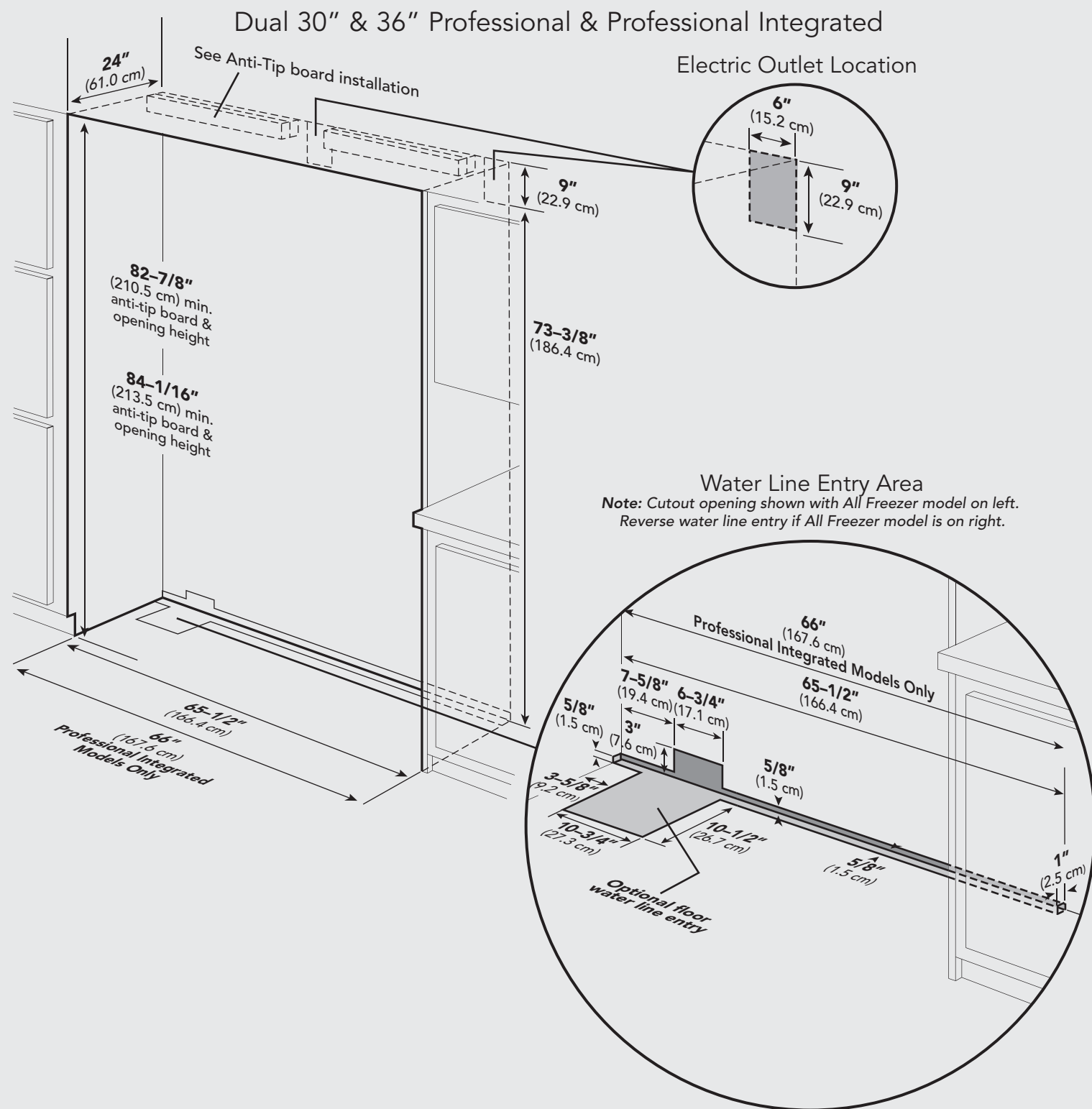


Anti-Tip Dimensions

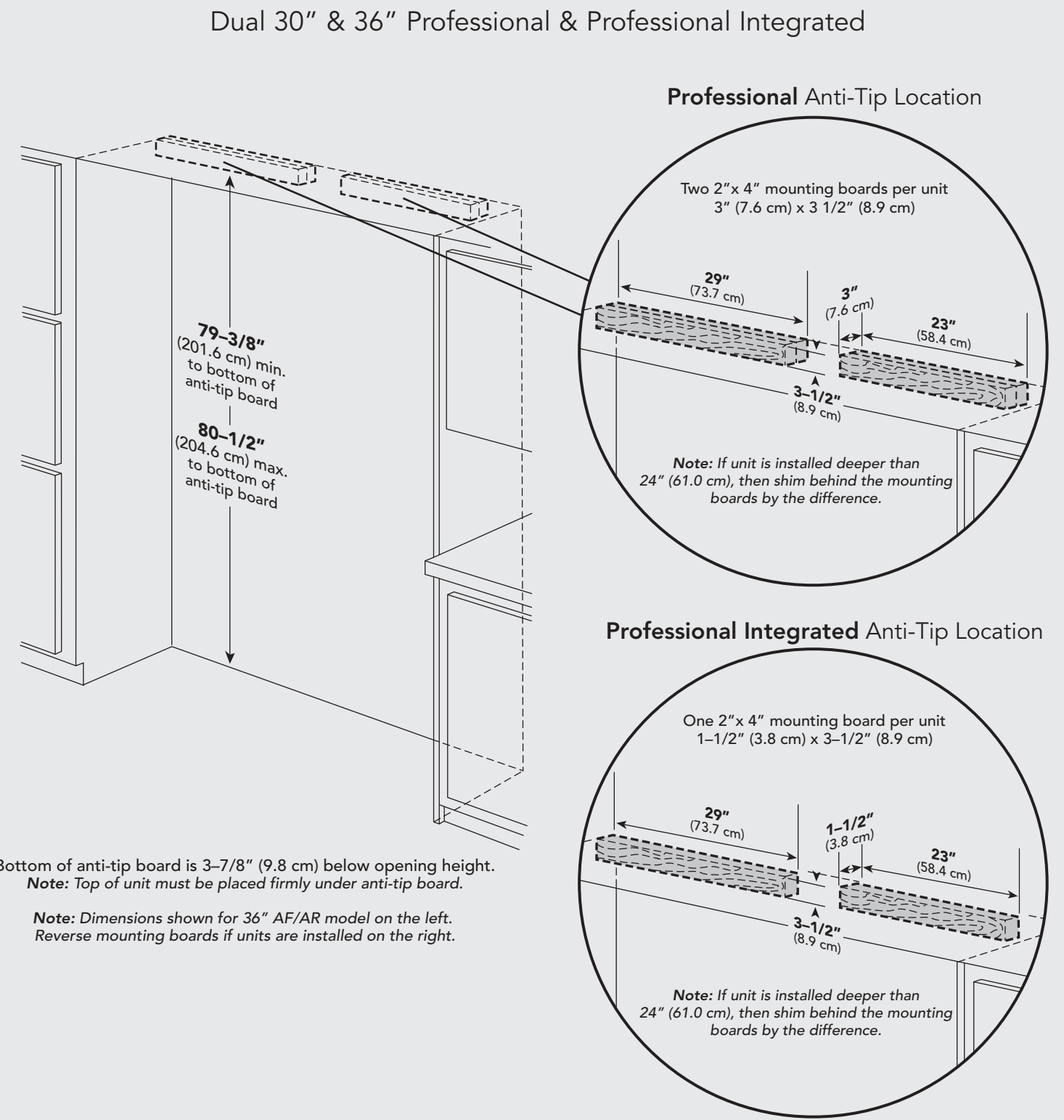
Dual 30" Professional & Professional Integrated



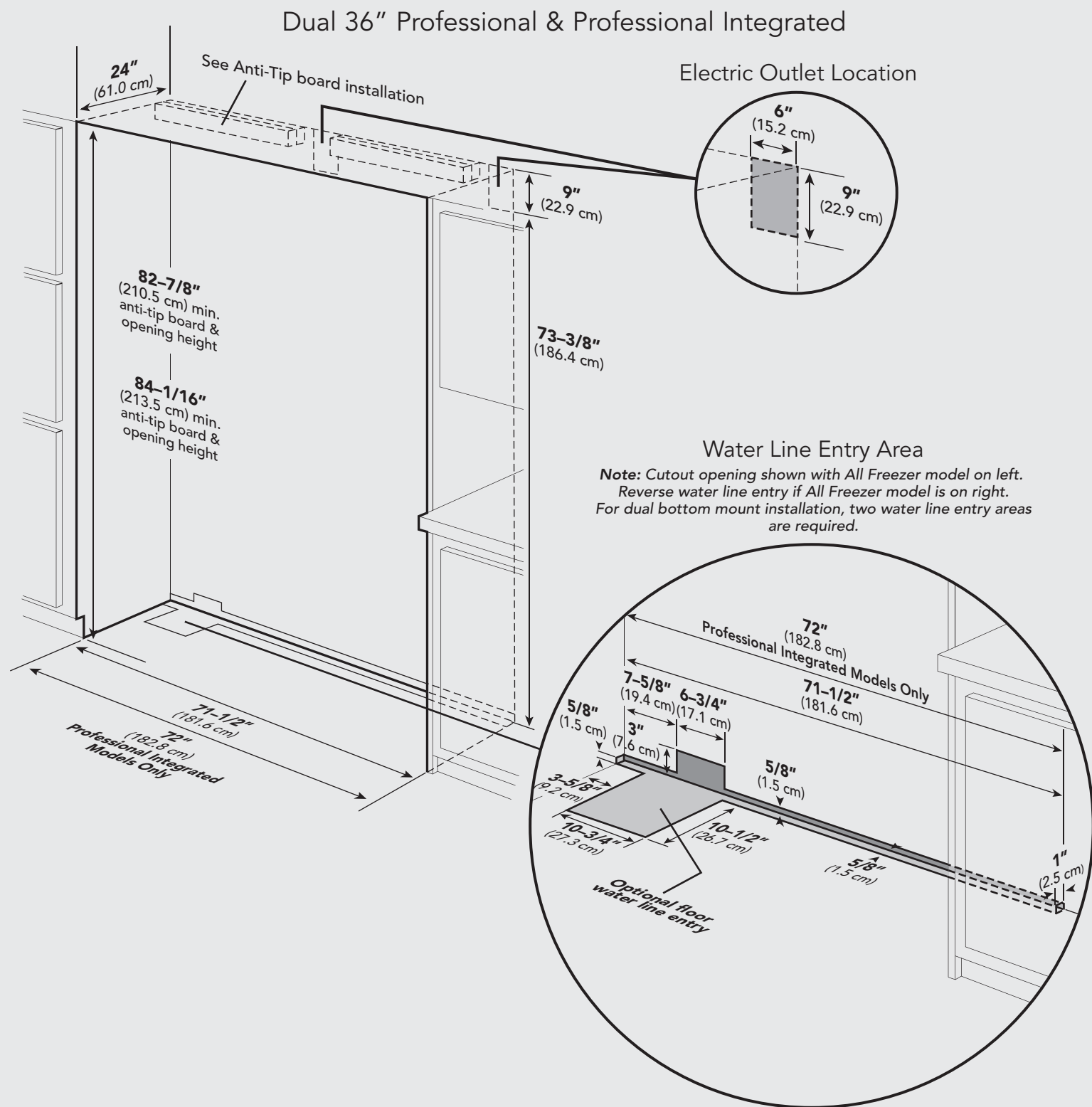
Cutout Dimensions



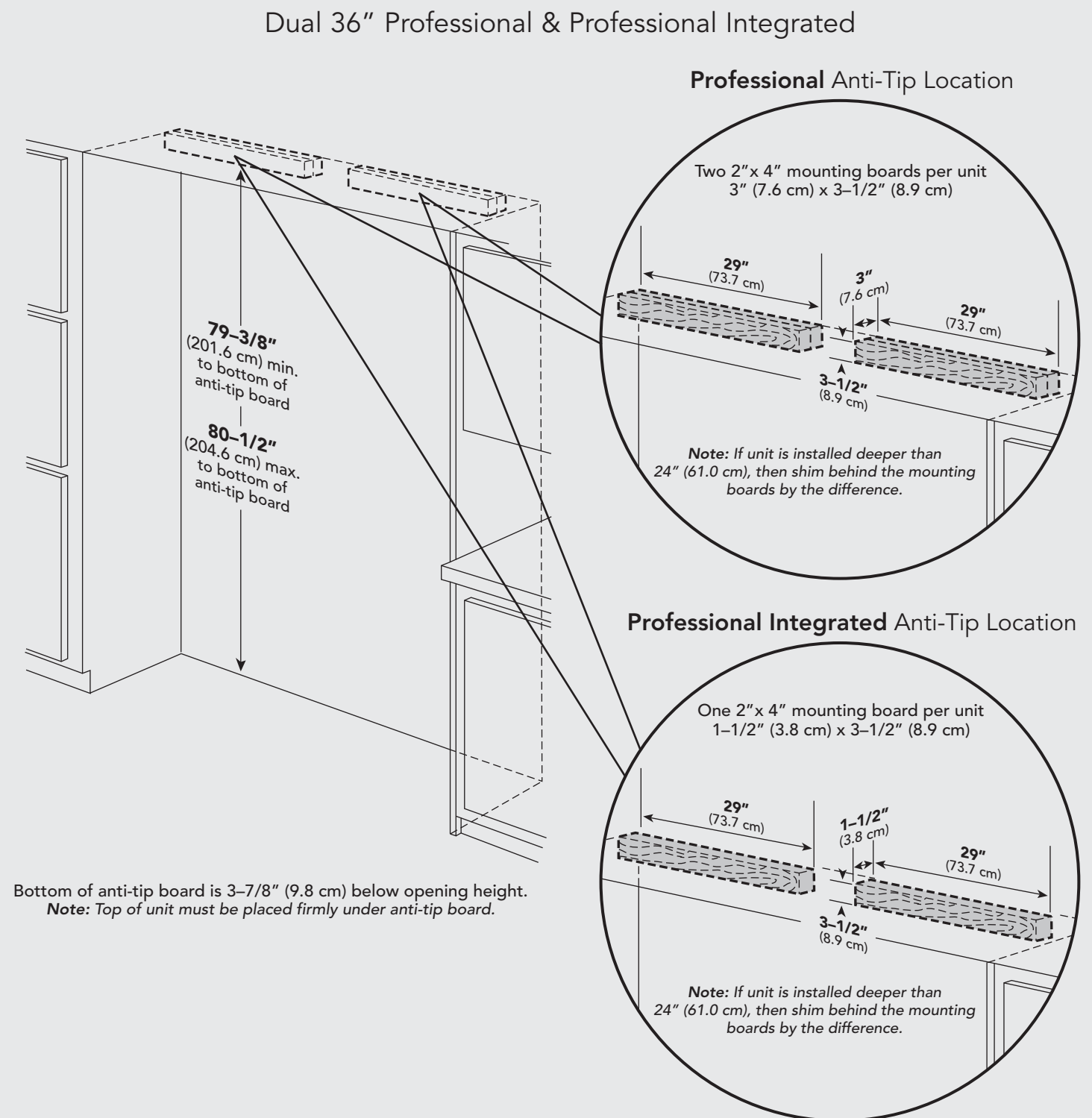
Anti-Tip Dimensions



Cutout Dimensions

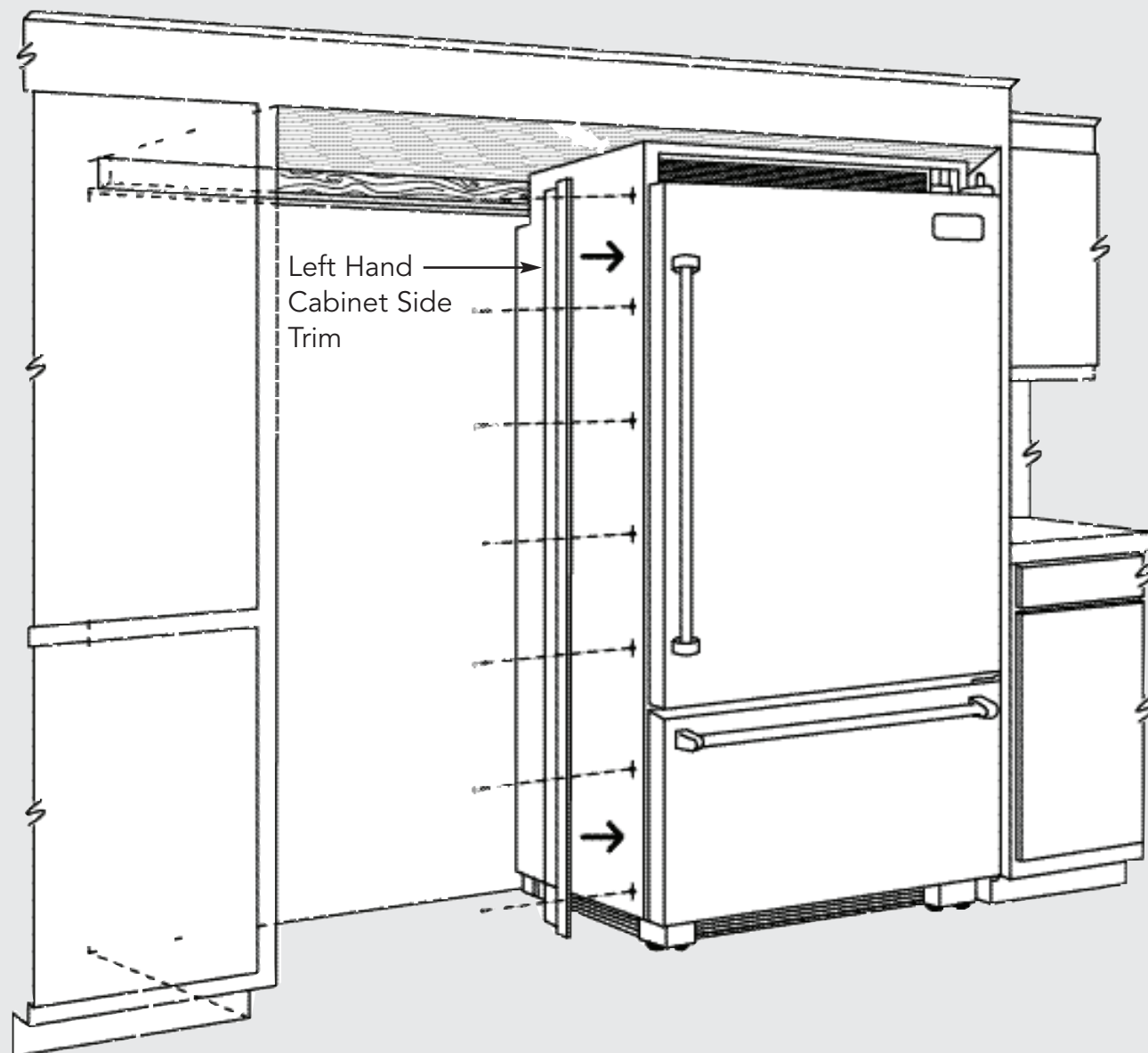


Anti-Tip Dimensions



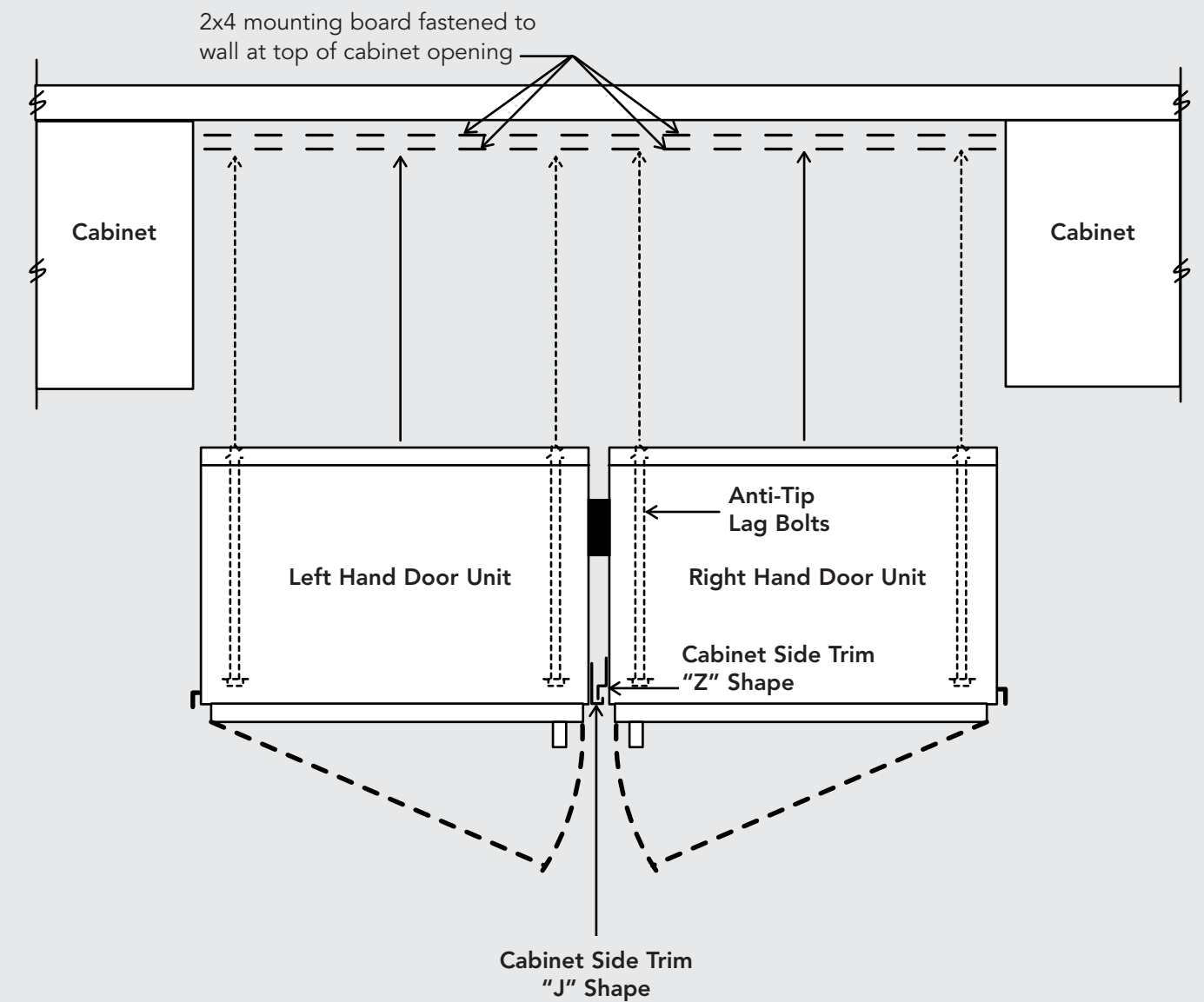
Side Trim Installation - Professional & Professional Integrated Models

- Remove cabinet side trim mounted on the left hand side of the refrigerator to be installed on the right side of the installation. Replace with the "Z" shaped side trim provided in the grille kit.
- For Professional (not including the Integrated line), skip to the next step. Remove cabinet side trim mounted on the right side of the refrigerator to be installed on the left side of the installation. Replace with the "J" shaped side trim provided in the grille kit.



Side Trim Installation - Professional & Professional Integrated Models

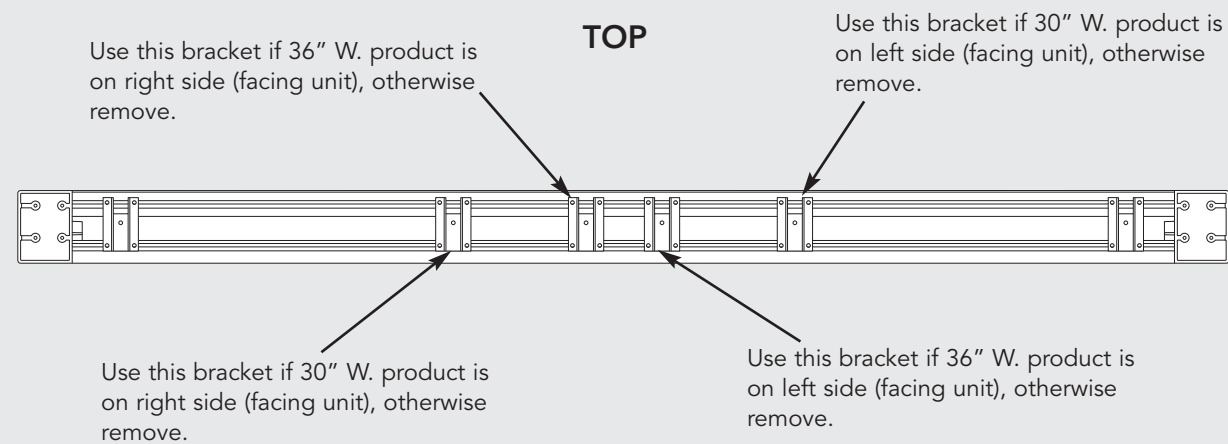
- Engage the right hand refrigerator's left side trim into the "J" shaped portion of the left side refrigerator's right side trim.
- Finish unit installation according to installation instructions provided in each unit.



Grille Assembly Bracket Placement - Professional & Professional Integrated Models

For 66" grille, excluding Custom Panel, Add/Remove brackets to full length grille as required. See illustration below.

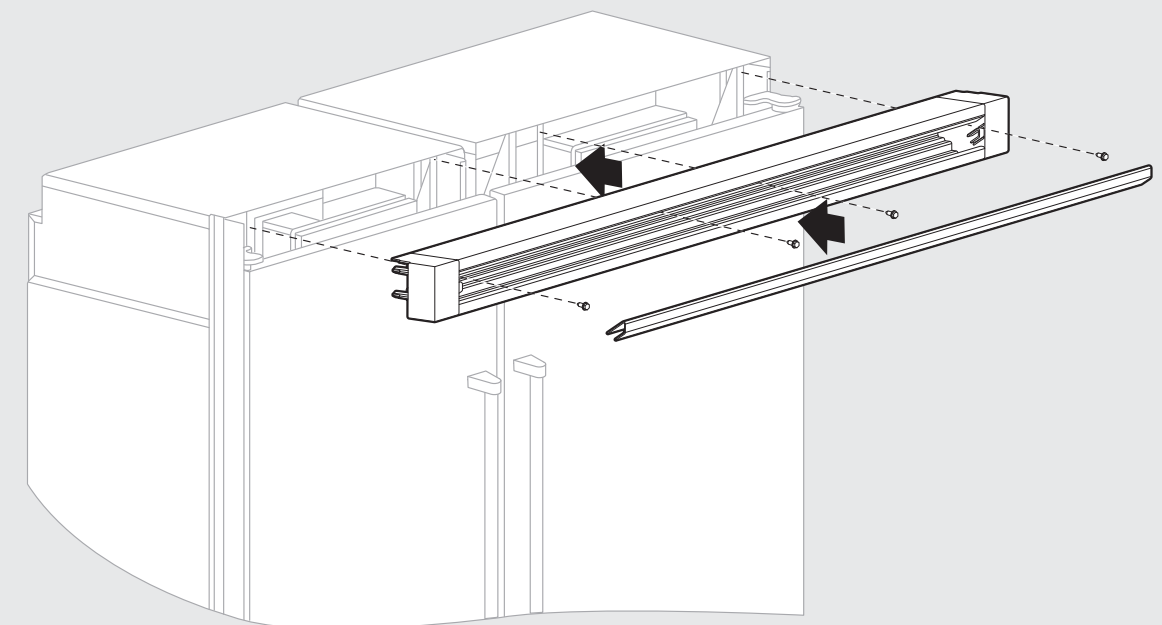
66" Professional/Integrated Grille (back view)



***NOTE:** Depending on unit configuration, two brackets should be removed and discarded. The 72" W. and 60" W. grille assemblies have all four (4) brackets mounted in the proper location.

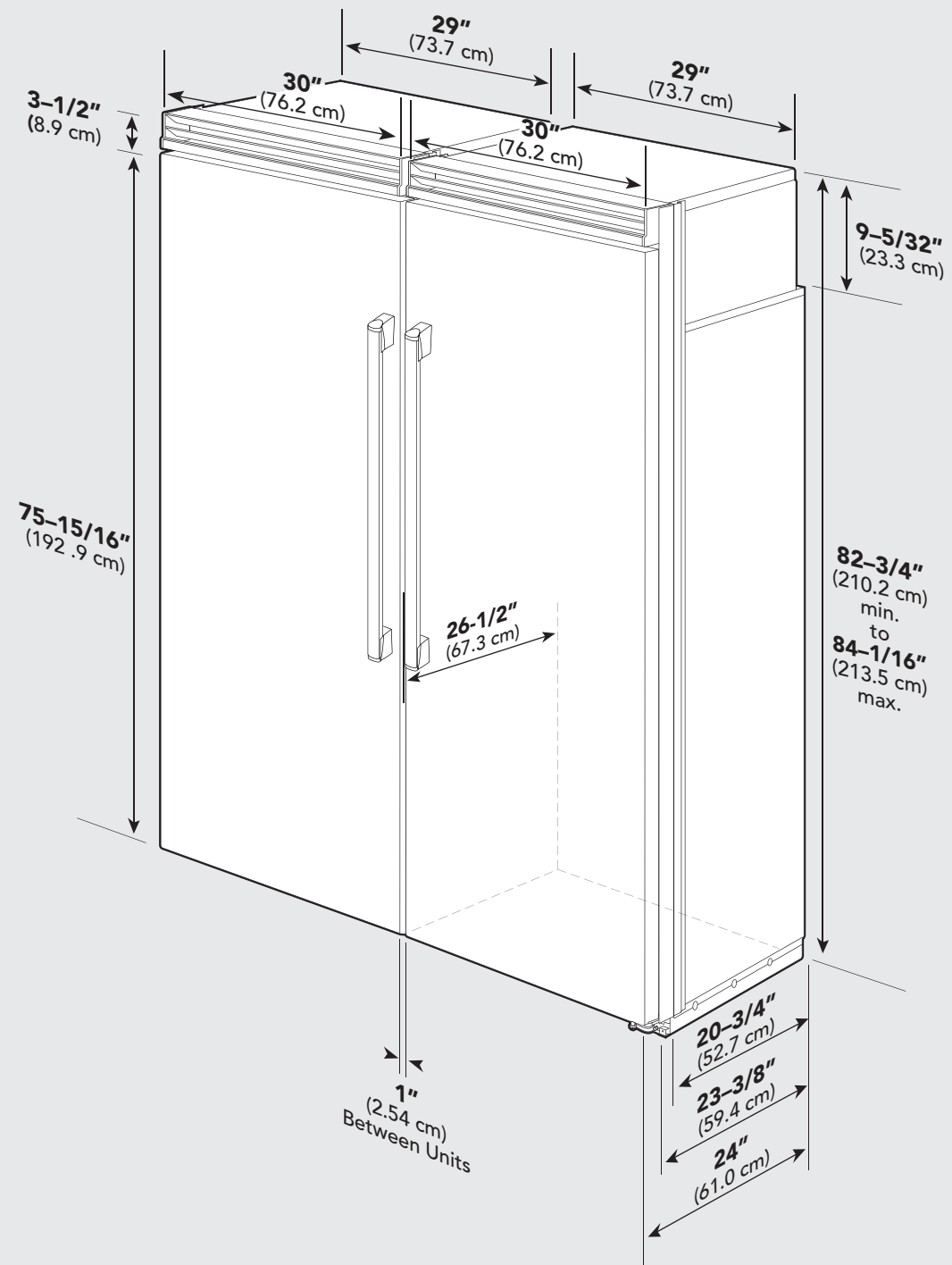
Grille Assembly Install - Professional & Professional Integrated Models

- Remove center grille blade by lifting up and pulling forward.
- Insert grille into refrigerators. Screw grille assembly into units with (4) screws removed in Step 3 (See Grille Removal Section).



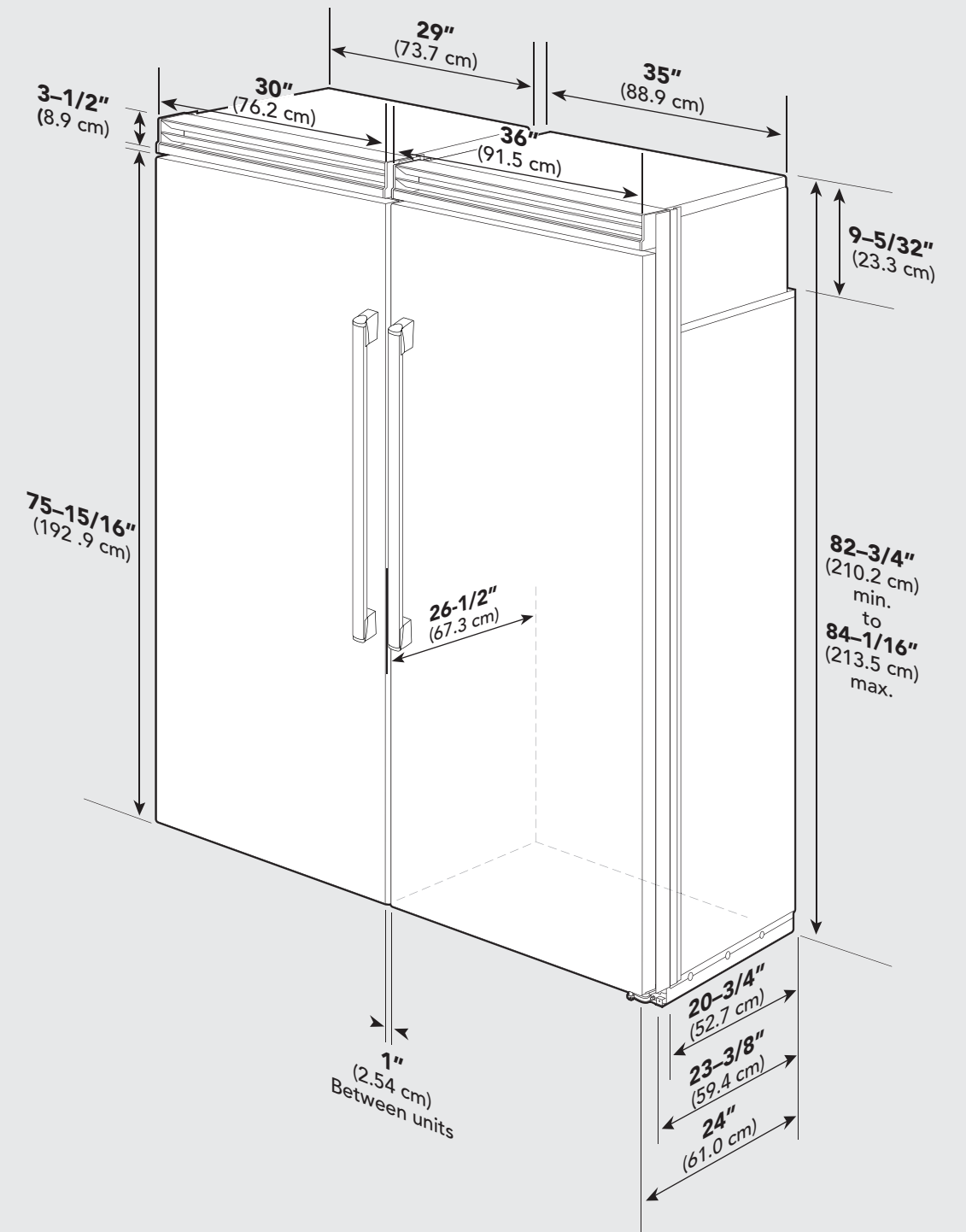
Dimensions

Dual 30" Designer & Custom Panel



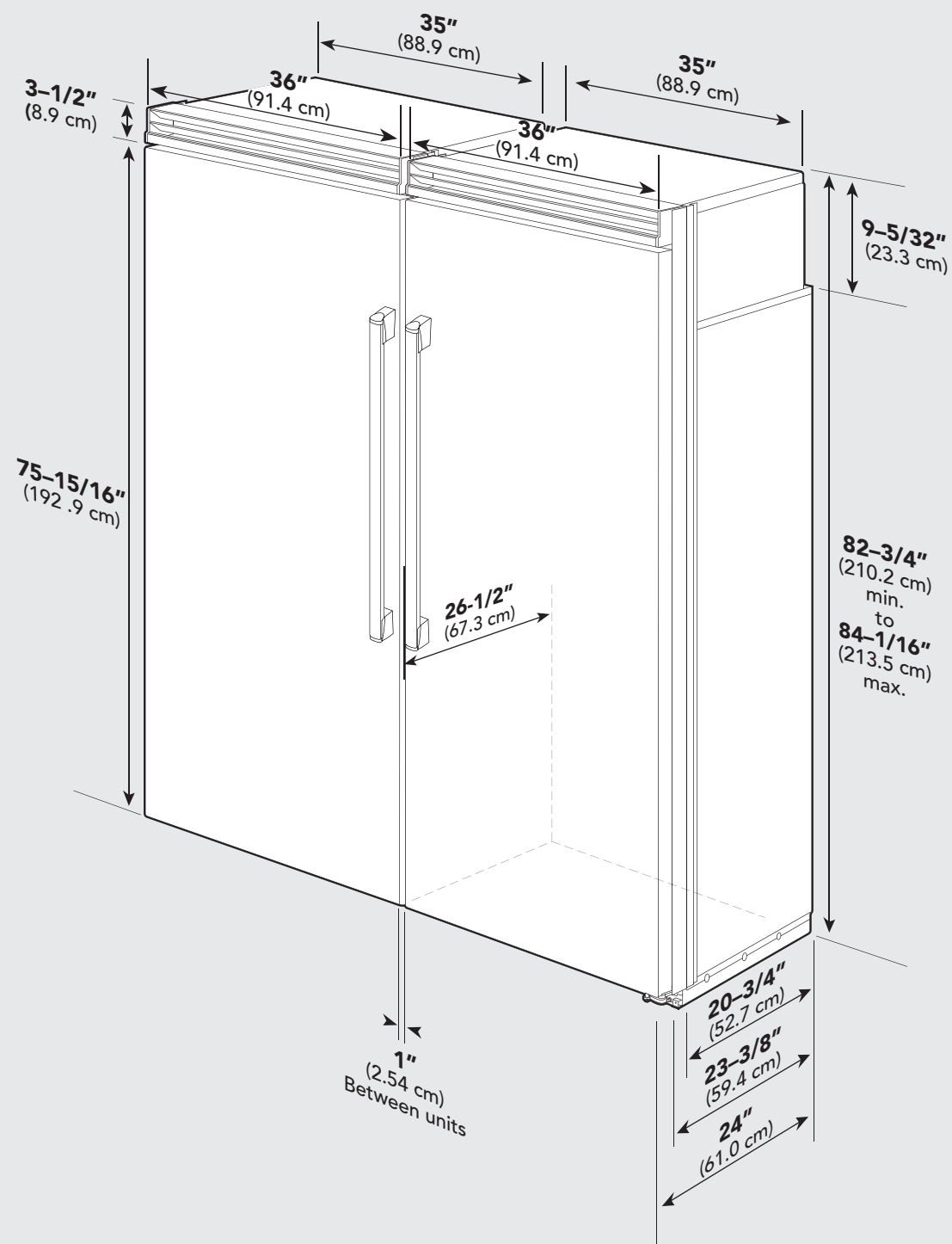
Dimensions

Dual 30" & 36" Designer & Custom Panel



Dimensions

Dual 36" Designer & Custom Panel



Specifications

Dual Designer & Custom Panel*			
Description	(2) 30" Units	(1) 36" & (1) 30" Unit	(2) 36" Units
Overall width	60" (152.4 cm)	66" (167.6 cm)	72" (182.9 cm)
Overall height from bottom	82-3/4" (210.2 cm) min. to 84-1/16" (213.5 cm) max.		
Overall depth from rear	To front edge of side trim: 23-3/8" (59.4 cm) To front of top grille: 24" (61.0 cm) To front of handle endcap: 26" (66.0 cm)		
Cutout width	60" (152.4 cm)	66" (167.6 cm)	72" (182.9 cm)
Cutout height	82-7/8" (210.5 cm) min. to 84-1/16" (213.5 cm) max.		
Cutout depth	24" (61.0 cm) min.		
Electrical requirements	(2) 115 volt, 60 Hz, 15 amp dedicated circuit; 3-wire cord with grounded 3-prong plug attached to product		
Maximum amp usage	30" Freezer 9.1 amps per unit 30" Refrigerator 5.7 amps per unit 36" Freezer 9.5 amps per unit 36" Refrigerator 6.5 amps per unit 36" Bottom Mount 9.9 amps per unit		
Inlet water requirements (All Freezer only)	1/4" copper tubing inlet waterline; minimum 20 psi; maximum 120 psi		
Overall interior dimensions	30" Freezer 15.9 cu. ft. (450 liters) 30" Refrigerator 18.2 cu. ft. (516 liters) 36" Freezer 19.1 cu. ft. (541 liters) 36" Refrigerator 22.8 cu. ft. (646 liters) 36" Bottom Mount 20.3 cu. ft. total (576 liters)		
Approximate shipping weight	30"- Freezer 525 lbs. (236.3 kg) each; Refrigerator 495 lbs. (222.8 kg) each 36"- Freezer 580 lbs. (261.0 kg) each; Refrigerator 555 lbs. (249.8 kg) each 36"- Bottom Mount 565 lbs. (254.3 kg)		

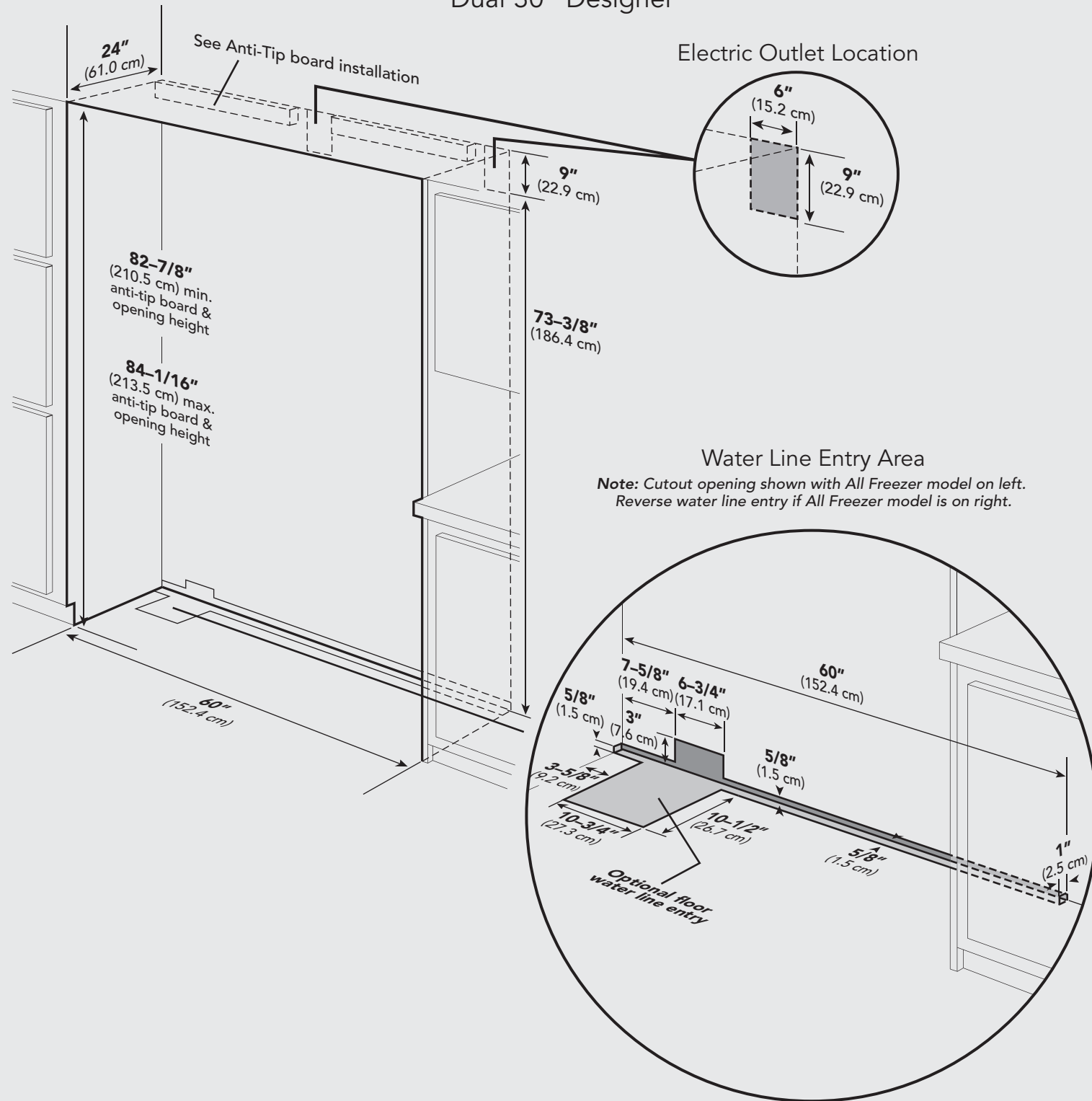
*For installation of two units side-by-side, a separate grille kit accessory must be purchased.

Note: Bottom mount models cannot be installed in a dual installation with All Refrigerators/All Freezers.

Designer Only: Full overlay models fit flush in 25" (63.5 cm) deep cabinet openings. They can be installed in standard 24" (61.0 cm) deep openings. The door faces and top grille will protrude 3/4" (1.9 cm) into the room.

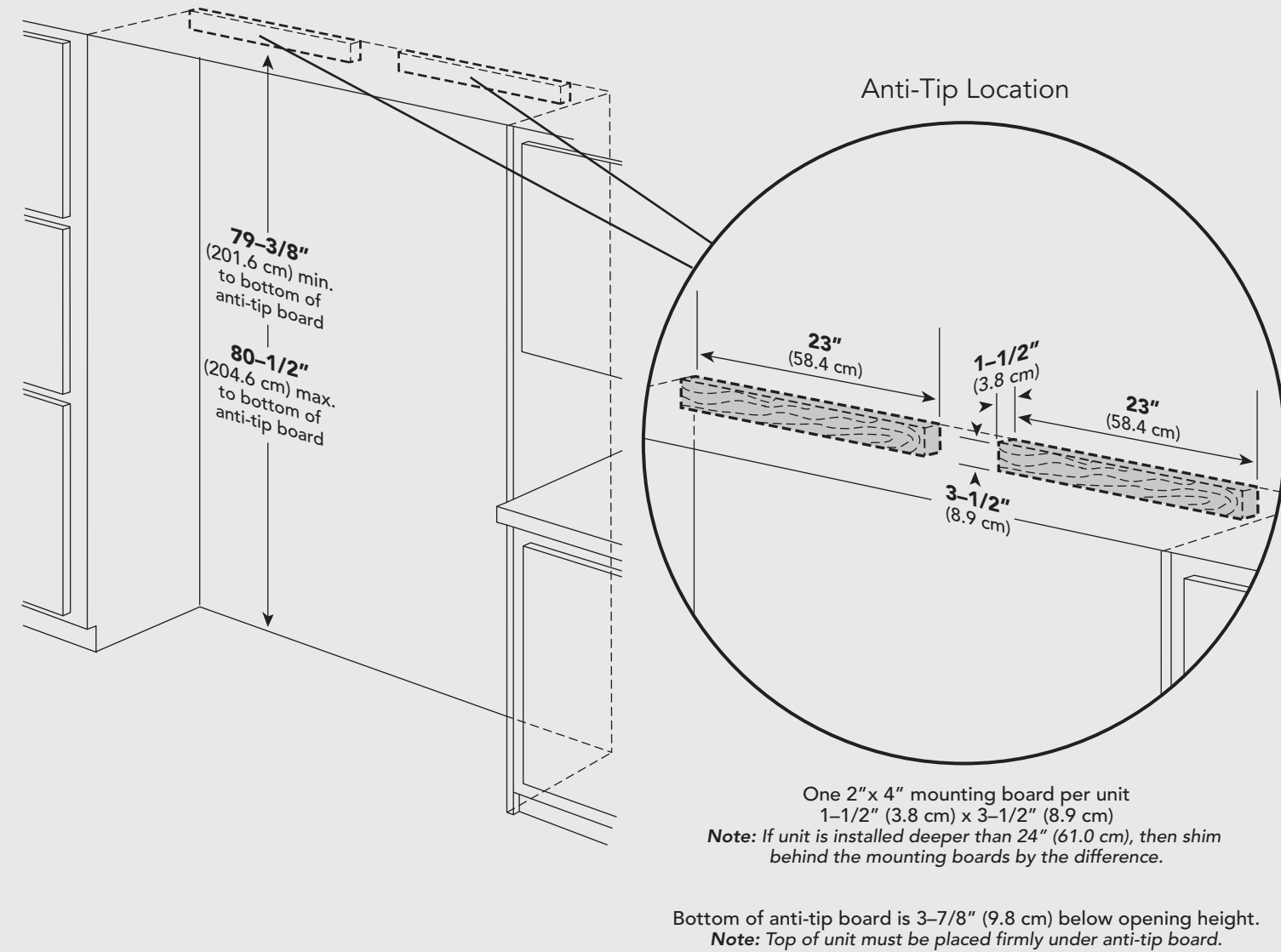
Cutout Dimensions

Dual 30" Designer



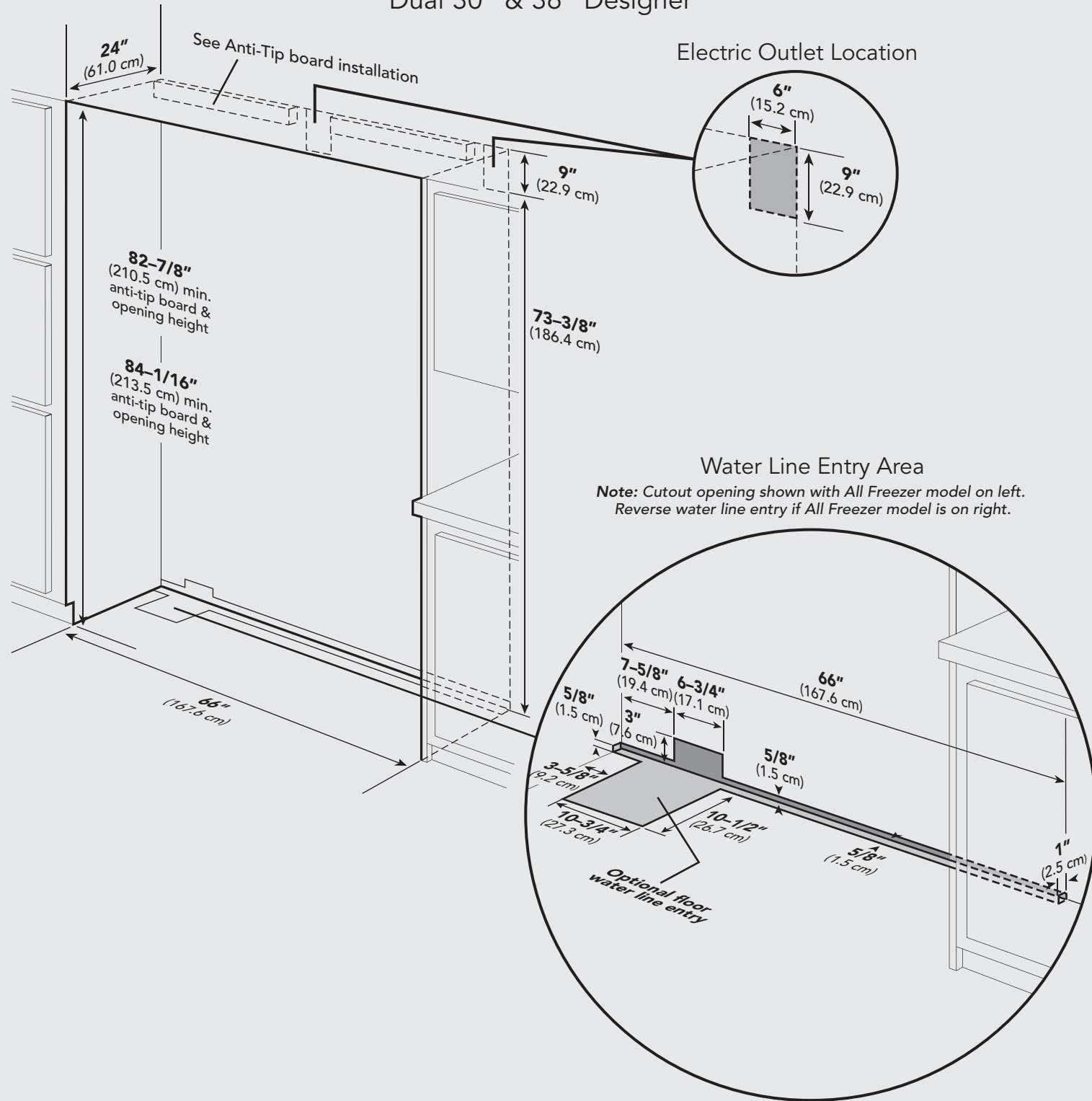
Anti-Tip Dimensions

Dual 30" Designer



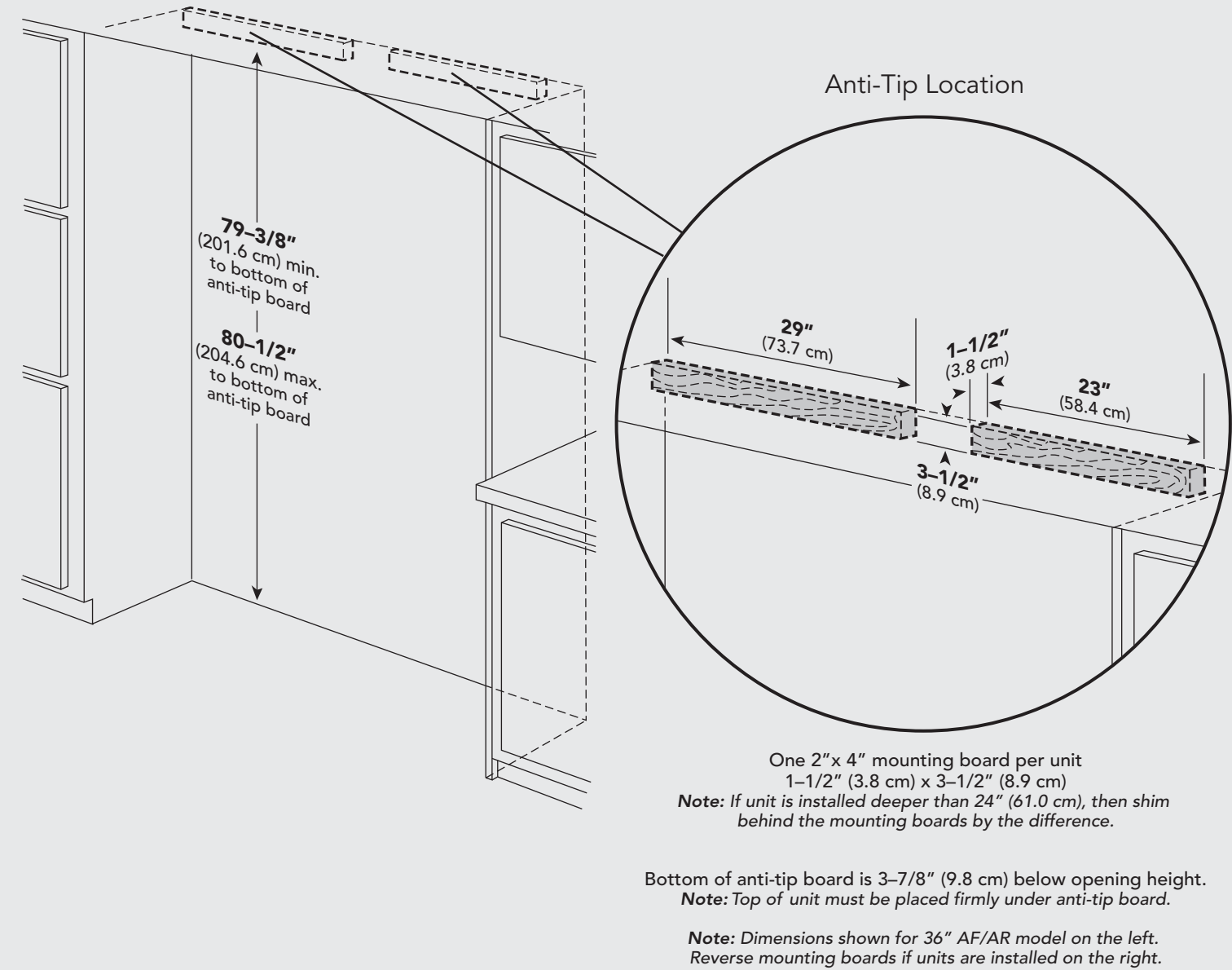
Cutout Dimensions

Dual 30" & 36" Designer

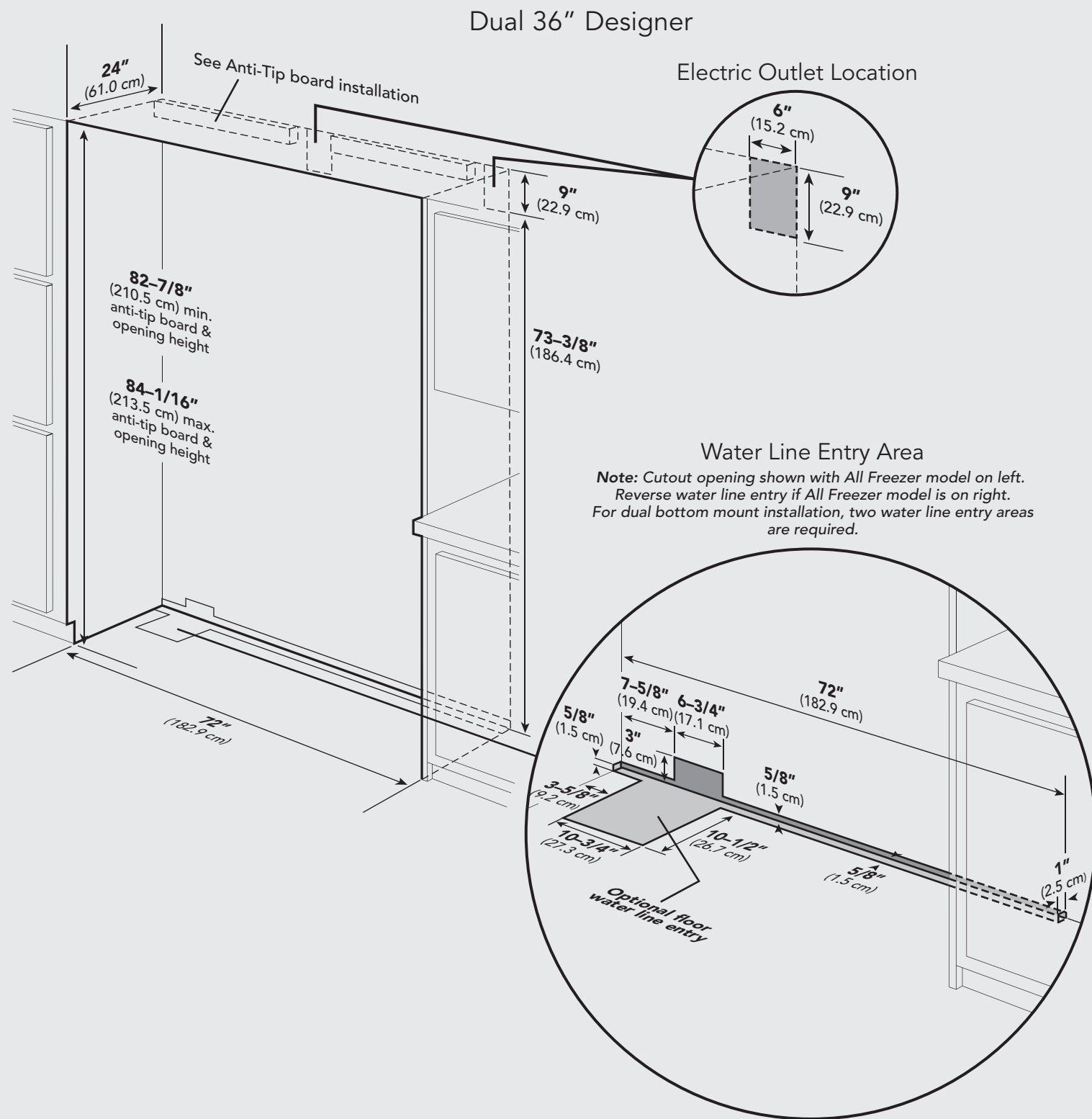


Anti-Tip Dimensions

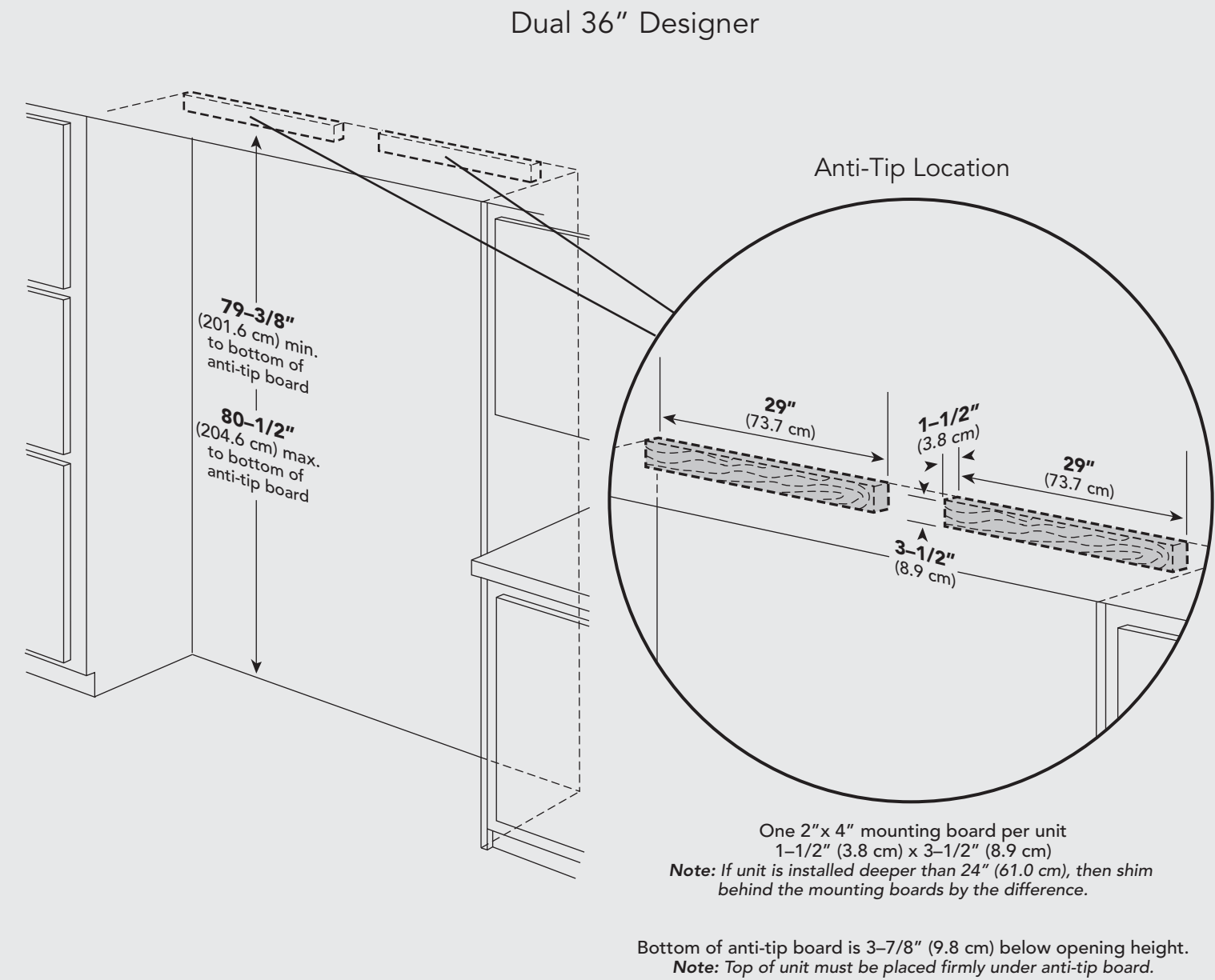
Dual 30" & 36" Designer



Cutout Dimensions

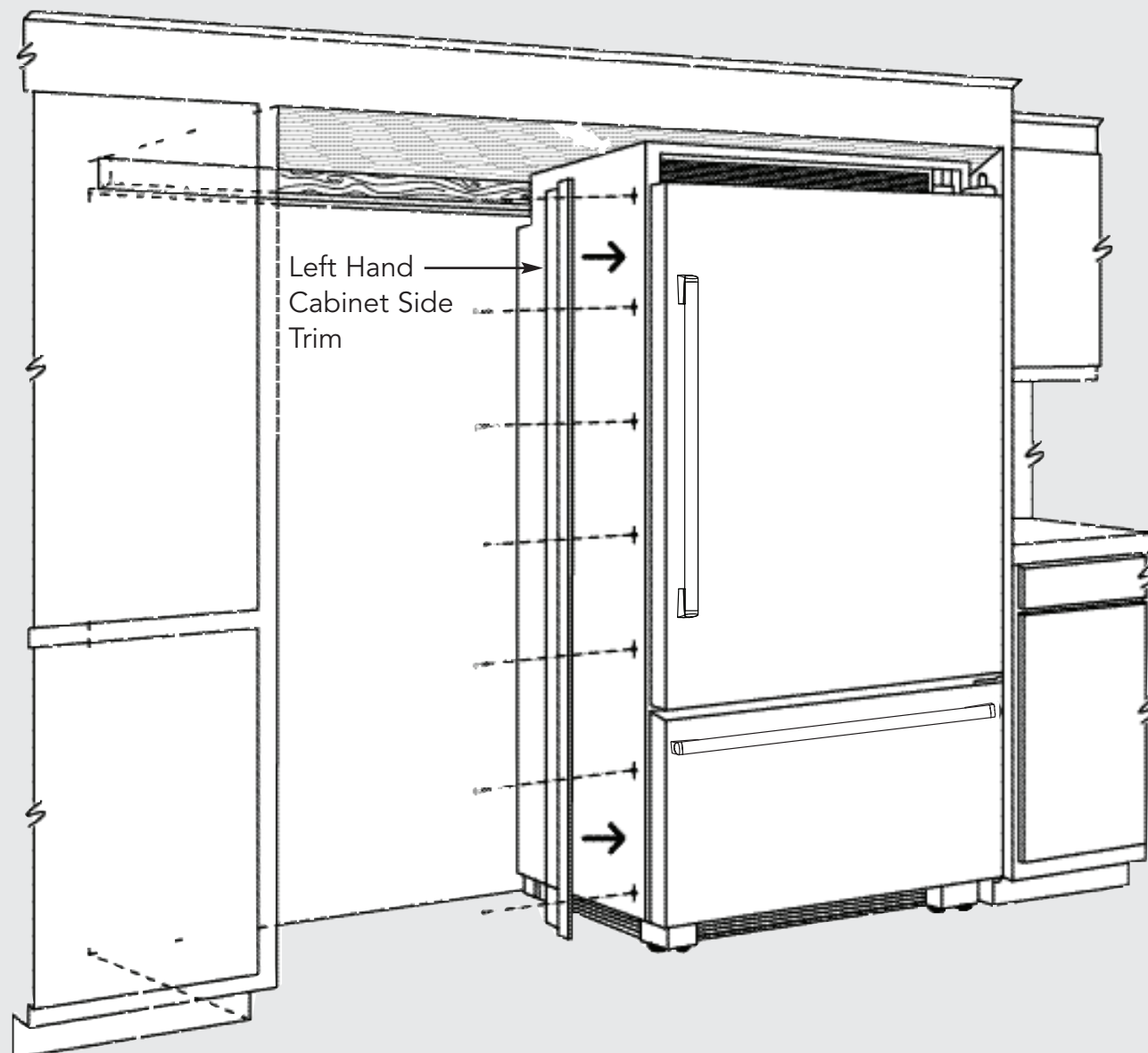


Anti-Tip Dimensions



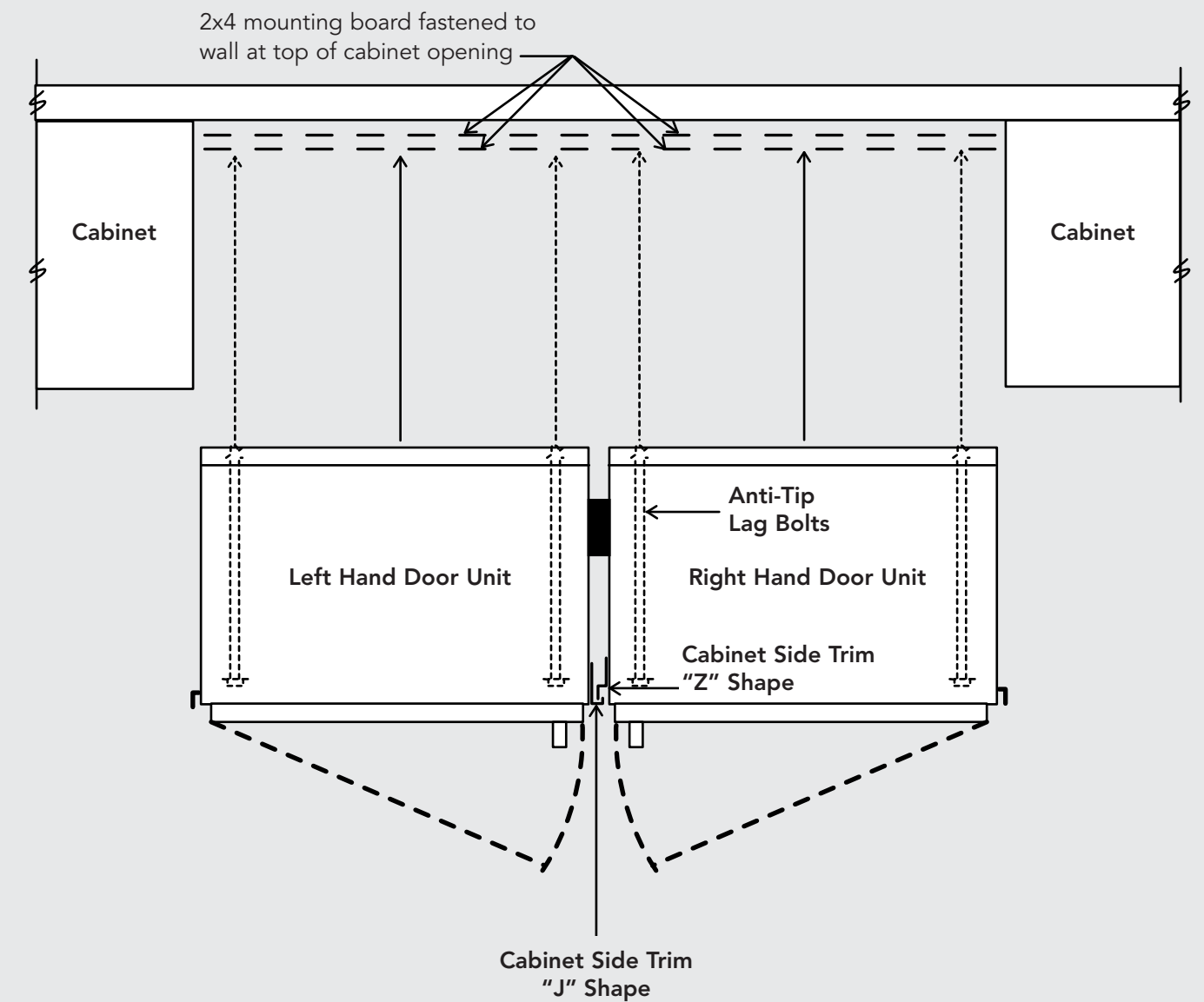
Side Trim Installation - Designer & Custom Panel Models

- Remove cabinet side trim mounted on the left hand side of the refrigerator to be installed on the right side of the installation. Replace with the "Z" shaped side trim provided in the grille kit.
- For Professional (not including the Integrated line), skip to the next step. Remove cabinet side trim mounted on the right side of the refrigerator to be installed on the left side of the installation. Replace with the "J" shaped side trim provided in the grille kit.



Side Trim Installation - Designer & Custom Panel Models

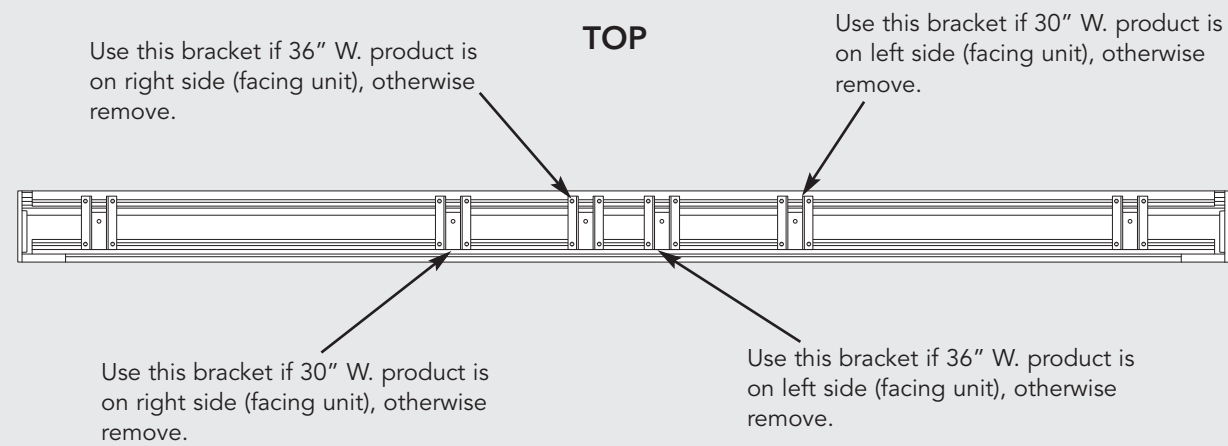
- Engage the right hand refrigerator's left side trim into the "J" shaped portion of the left side refrigerator's right side trim.
- Finish unit installation according to installation instructions provided in each unit.



Grille Assembly Bracket Placement - Designer Models

For 66" grille, excluding Custom Panel, Add/Remove brackets to full length grille as required. See illustration below.

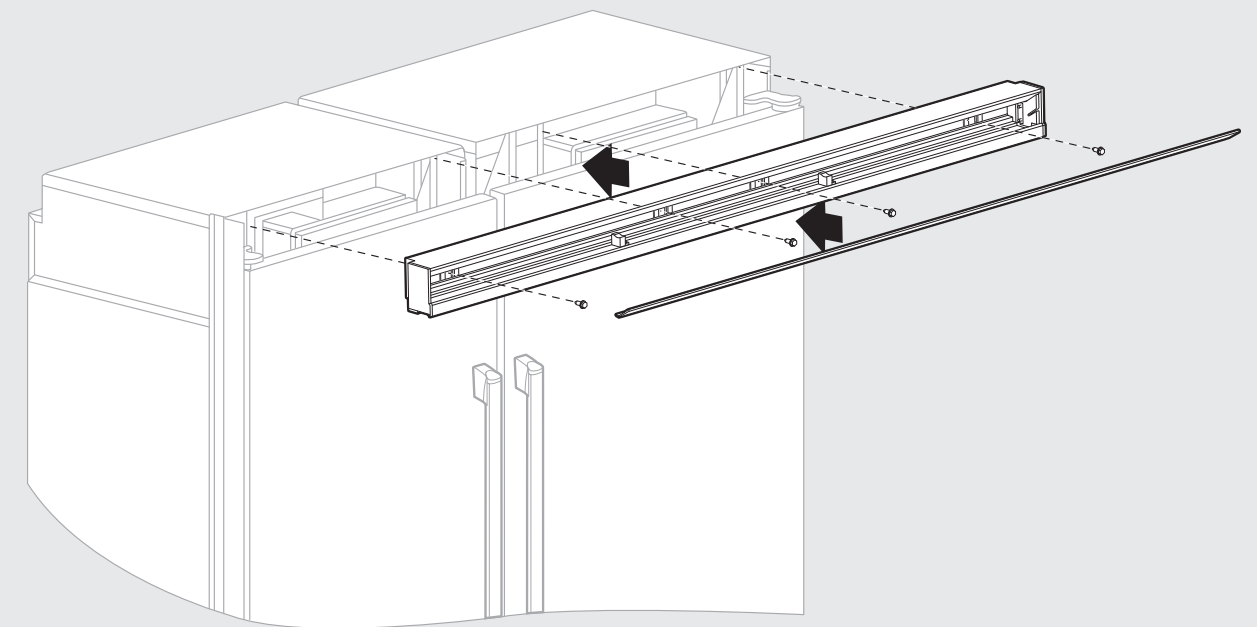
66" Designer Grille (back view)



***NOTE:** Depending on unit configuration, two brackets should be removed and discarded. The 72" W. and 60" W. grille assemblies have all four (4) brackets mounted in the proper location.

Grille Assembly Install - Designer Models

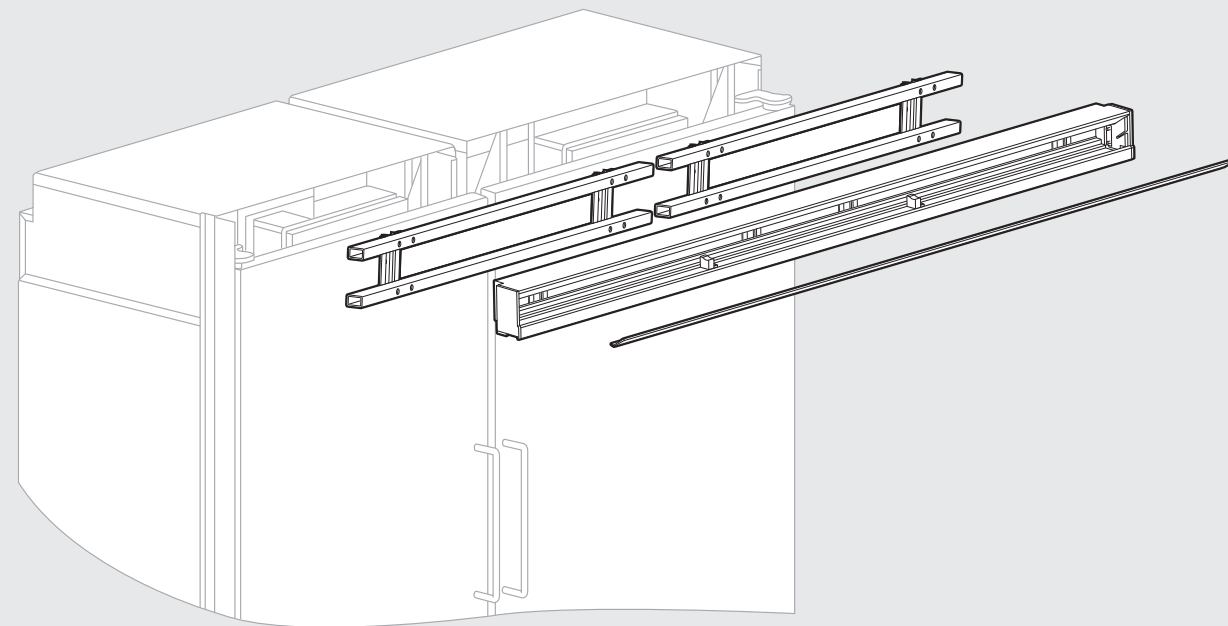
- Remove center grille blade by lifting up and pulling forward.
- Insert grille into refrigerators. Screw grille assembly into units with (4) screws removed in Step 3 (See Grille Removal Section).



Grille Assembly - Custom Panel Models

On Custom Panel models, grill spacers from original unit grilles must be reused:

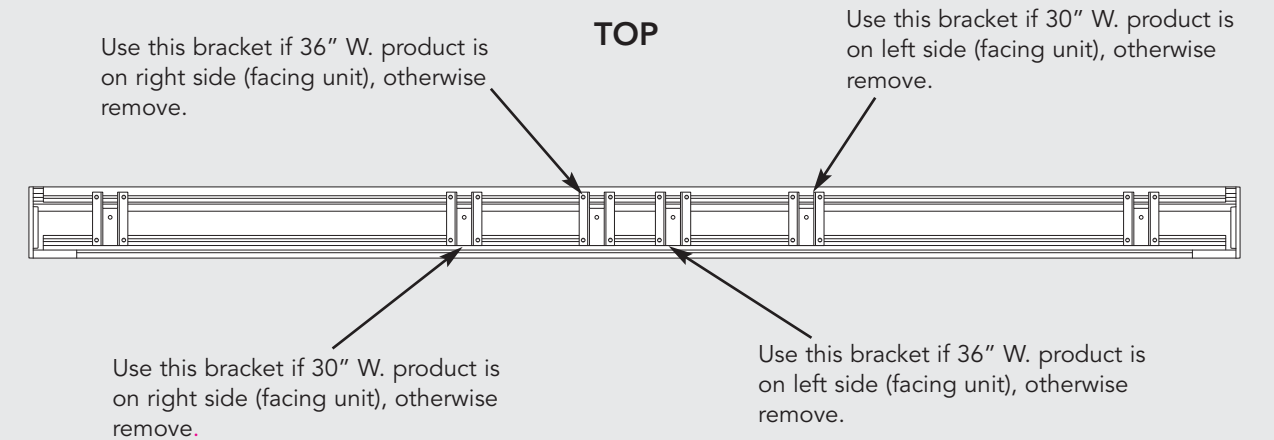
- Remove grille brackets from grille included in the grille kit by removing 4 screws on each grille bracket located on the back of the grille assembly.
- Remove grille brackets and spacers from original unit grilles by removing 4 screws on each grille bracket located on the back of each grille assembly.
- Install grille brackets and spacers from original unit grilles onto grille from the kit using the original grille hardware. **Important:** The spacers must be oriented on the new grille the same way they were on the original grille. Also, remember to install the spacers on the corresponding side of the installation (if installing a unit on the left side of an installation, its grille spacers should be installed on the left side of the unified grille.)



Grille Assembly Bracket Placement - Custom Panel Models

For 66" grille, excluding Custom Panel, Add/Remove brackets to full length grille as required. See illustration below.

66" Custom Grille (back view)



***NOTE:** Depending on unit configuration, two brackets should be removed and discarded. The 72" W. and 60" W. grille assemblies have all four (4) brackets mounted in the proper location.

Grille Assembly Install - Custom Panel Models

- Remove center grille blade by lifting up and pulling forward.
- Insert grille into refrigerators. Screw grille assembly into units with (4) screws removed in Step 3 (See Grille Removal Section).

