



## Freezer

FFFC05M2K W

Manual Defrost  
5 Cu. Ft. Chest



### Product Dimensions

Height (Including Lid)	34-1/4"
Width	35"
Depth	23-1/4"

### More Easy-To-Use Features

Front-Mounted Adjustable  
Temperature Control

Durable, Textured Metal Interior

Available in:



White  
(W)

## Signature Features

### Store-More™ Removable Basket

Convenient lift-out storage for easy access to most small frozen items or items that are most frequently accessed.

### Power-On Indicator Light

Know at a glance that your freezer is working.

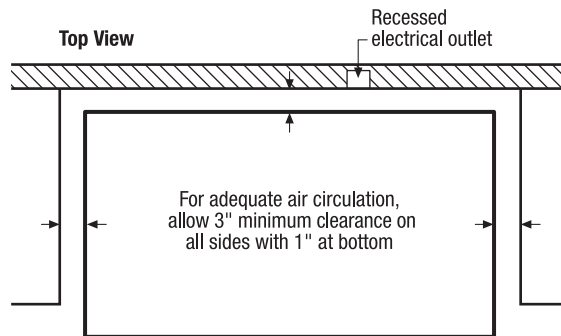
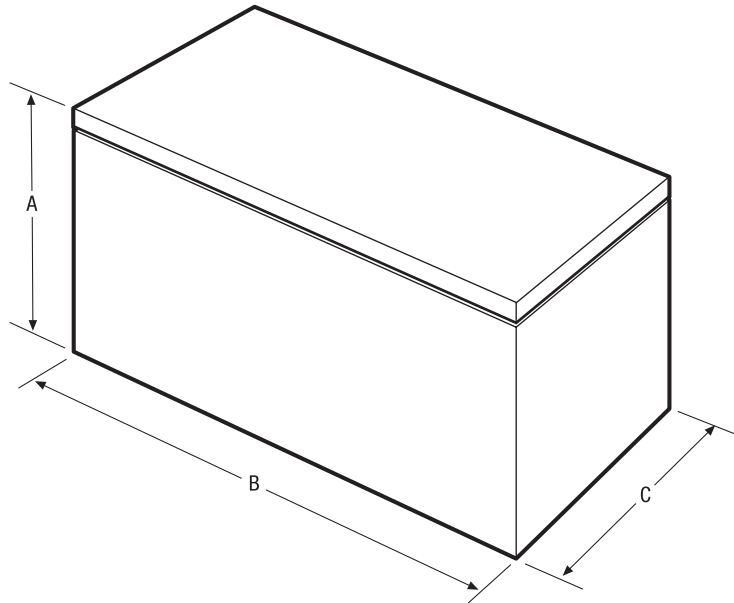
### Lift-Up Lid Handle

### Defrost Water Drain

Use the drain to conveniently remove water during defrosting.

Features	
Defrost	Manual
Adjustable Temperature Control	Yes
Interior Lighting	
Store-More™ Removable Baskets	1
Food Organization System	
Defrost Water Drain	Yes
Lid Handle	Yes
Lock with Pop-Out Key	
Temp Alarm System	
Power-On Light	Yes
Certifications	
CSA Rating	Household
Specifications	
Total Capacity (Cu. Ft.)	5.1
Annual Energy (kWH)	242
Annual Energy Cost (.1065/kWH)	\$26
Power Supply Connection Location	Bottom Rear
Voltage Rating	115V / 60Hz / 1.3A
Connected Load (kW rating) @ 115	.17
Amps @ 115 Volts	1.3
Minimum Circuit Required (Amps)	15
Shipping Weight (Approx.)	99 Lbs.

<sup>1</sup>An electrical supply with grounded three-prong receptacle is required. The power supply circuit must be installed in accordance with current edition of National Electrical Code (NFPA 70) and local codes & ordinances.



NOTE: For planning purposes only. Always consult local and national electric codes. Refer to Product Installation Guide for detailed installation instructions on the web at [frigidaire.com](http://frigidaire.com).



Product Dimensions	
A - Height (Including Lid)	34-1/4"
B - Width	35"
C - Depth	23-1/4"
D - Height with Lid Open 90°	55-5/16"

Accessories information available on the web at [frigidaire.com](http://frigidaire.com)