



# Slide-In Range

FPCS3085L F

30" Induction Hybrid



## Product Dimensions

Height (Max.)	36-5/8"
Width	30"
Depth	28-5/16"

## More Easy-To-Use Features

### More Responsive

Cooking with induction is more responsive than gas or electric so you can easily go from simmer to boil.

### Pro-Select® Controls

Precise control at your fingertips.

### Cookware Compatibility

Cooktops include a combination of electric elements that are compatible with all cookware, and induction elements that are compatible with most stainless steel and cast iron cookware. If a magnet sticks to the bottom of a pot or pan, it is induction-friendly.

### PowerPlus® Boost

Generates rapid heat for a quicker boil.

### More Energy-Efficient

Cooking with induction is 70% more efficient than gas and 20% more efficient than electric.

### Keep Warm Drawer

Keep food warm until everything — and everyone — is ready.

A.D.A. Compliant<sup>2</sup>

Sabbath Mode (Star-K® Certified)

## Available in:



Stainless  
(F)

Elements	Size	Watts
Right Front	Induction 10"	2,500/3,400
Right Rear	Induction 6"	1,500/1,900
Left Front	Electric 7"	1,800
Left Rear	Electric 7"	1,800
Left Bridge	SpaceWise® Bridge	800
Center	Keep Warm Zone	800

## Signature Features



### Cooking Versatility

Gentle enough to melt chocolate and powerful enough to boil water, so it's great for entertaining or getting dinner on the table quickly.



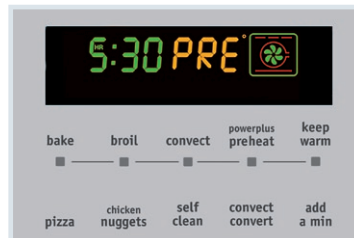
### 10" and 6" Induction Elements

With two powerfully efficient induction elements, plus up to three electric elements, the Induction Hybrid Cooktop offers the utmost cooking flexibility. And the 10" induction element offers 3,400 watts of power, so you can bring water to a boil quickly.



### PowerPlus® Convection

You can roast to tender, juicy perfection in less time.



### PowerPlus® Preheat

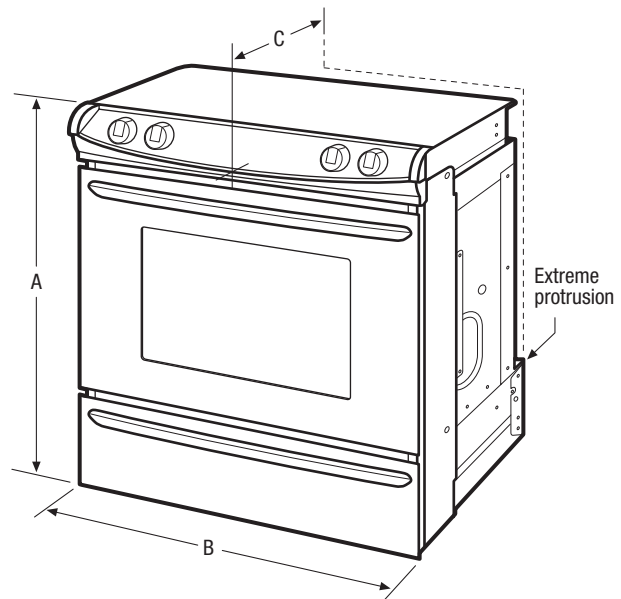
Preheat in less than six minutes.<sup>1</sup>

<sup>1</sup>Based on single rack cooking performance, not set temperature, using PowerPlus® Preheat.

<sup>2</sup>When properly installed, meets the appliance standards in the Americans with Disabilities Act and the Architectural Barriers Act Accessibility Guidelines as published by the United States Access Board on June 23, 2004, as amended August 5, 2005.

Features	
Oven Control/Timing System	Pro-Select®
Surface Type	Black Ceramic Glass
Window	Extra-Large with Pro-Tint Finish
Exterior Door Finish	Real Stainless Steel
Handle Design	Stainless Steel
Exterior Finish (Side Panels)	Black
Convection System	PowerPlus® Convection
Oven Cleaning System	Self Clean
Drawer Functionality	Warmer
Oven Controls	
Bake/Broil	Yes/Variable (400 – 550 °F)
Effortless™ Convection Conversion	Yes
Convection Bake/Broil/Roast	Yes/Yes/Yes
PowerPlus® Preheat	Yes
My Favorite	Yes
Chicken Nugget Button	Yes
Pizza Button	Yes
Keep Warm	Yes
Add-a-Minute	Yes
Delay Start	Yes
Self Clean	2, 3, 4 Hours
Rapid Clean Option	Yes
Delay Clean	Yes
Kitchen Timer/ Timed Cook Option	Yes/Yes
Auto Oven Shut-Off	6 Hours
Lower Drawer Control	Warmer, Low-Med-High
Cooktop Features	
Right Front Element (Watts)	Induction 10" – 2,500 / 3,400
Right Rear Element (Watts)	Induction 6" – 1,500 / 1,900
Left Front Element (Watts)	Electric 7" – 1,800
Left Rear Element (Watts)	Electric 7" – 1,800
Left Bridge Element (Watts)	SpaceWise® Bridge – 800
Center Element (Watts)	Keep Warm Zone – 100
Oven Features	
Capacity (Cu. Ft.)	4.2
Oven Light	2
Hidden Bake Element	Yes
Rack Configuration	1 Heavy Duty, 1 SpaceWise® Half Rack, 1 Effortless™
Baking System	Even Baking Technology
Broiling System	PowerPlus® Broil
Bake Element/Broil Element (Watts)	2,500 / 4,000
Drawer Rack	1 SpaceWise® Half Rack
Certifications	
A.D.A. Compliant <sup>1</sup>	Yes
Sabbath Mode (Star-K® Certified)	Yes
Specifications	
Oven Interior (H x W x D)	16-1/2" x 24-1/8" x 18-1/32"
Power Supply Connection Location	Left Bottom Rear
Voltage Rating	240V / 208V / 60Hz
Connected Load (kW Rating) @ 240/208 Volts	14.3 / 11.7
Amps @ 240/208 Volts	59.6 / 56.3
Minimum Circuit Required (Amps)	40
Shipping Weight (Approx.)	245 Lbs.

<sup>1</sup>When properly installed, meets the appliance standards in the Americans with Disabilities Act and the Architectural Barriers Act Accessibility Guidelines as published by the United States Access Board on June 23, 2004, as amended August 5, 2005.



NOTE: For planning purposes only. Always consult local and national electric codes. Refer to Product Installation Guide for detailed installation instructions on the web at [frigidaire.com](http://frigidaire.com).



Product Dimensions		Cutout Dimensions	
A - Height (Max.)	36-5/8"	Height (Min.)/(Max.)	35-7/8" / 36-5/8"
B - Width	30"	Width (Min.)/(Max.)*	29-15/16" / 30-1/16"
C - Depth	28-5/16"	Depth (Min.)/(Max.)**	21-3/4" / 22-1/8"
Depth with Door Open 90°	45-1/2"		

\*Cutout and countertop cutout width should match.  
\*\*24" with optional backguard installed.

Accessories information available on the web at [frigidaire.com](http://frigidaire.com)

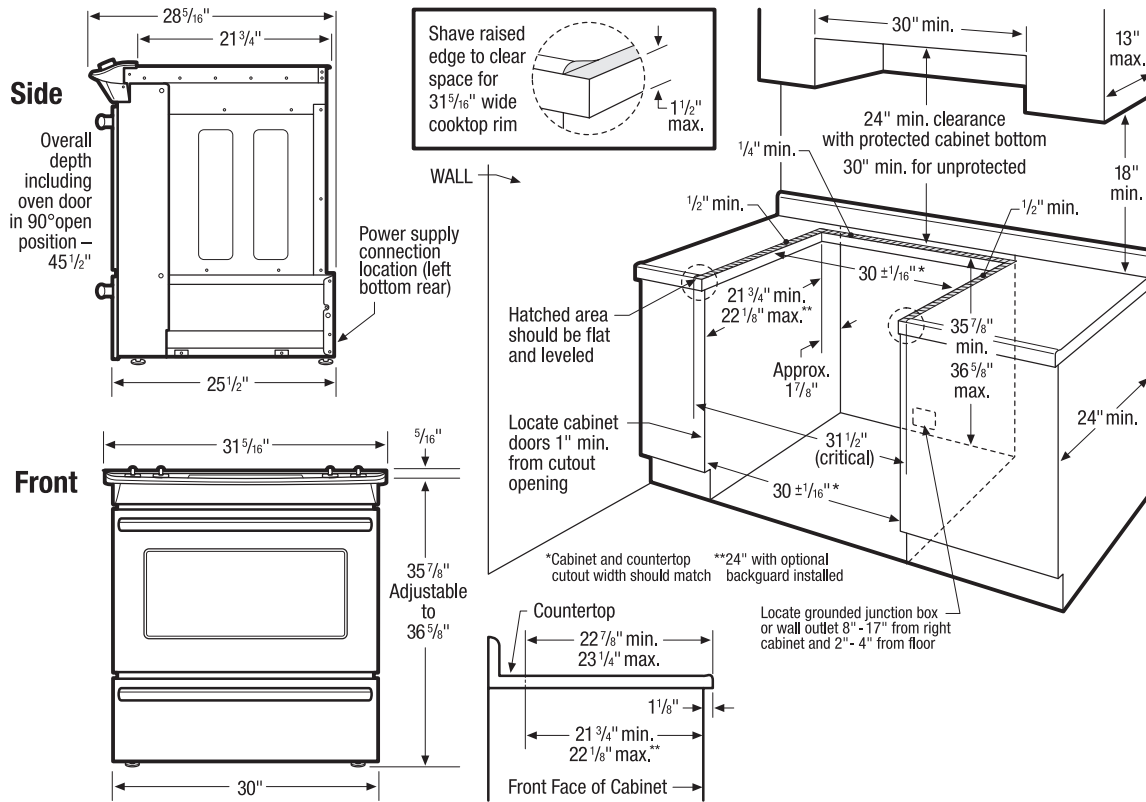
**FRIGIDAIRE**

USA • 10200 David Taylor Drive • Charlotte, NC 28262 • 1-800-FRIGIDAIRE • [frigidaire.com](http://frigidaire.com)  
CANADA • 5855 Terry Fox Way • Mississauga, ON L5V 3E4 • 1-800-265-8352 • [frigidaire.ca](http://frigidaire.ca)

FPCS3085L 02/11

© 2011 Electrolux Home Products, Inc.

Specifications subject to change.  
Printed in the U.S.A.



**Slide-In Range Specifications**

- Product Shipping Weight (approx.) - 245 Lbs.
- Single phase 3- or 4-wire cable, 120/240 or 120/208 Volt, 60 Hertz, fused on both sides of line with ground. (If local code permits, range may be connected by hard-wiring or by means of power supply cord kit.)
- Connected Load (kW Rating) @ 240/208 Volts = 14.3/11.7kW
- Amps @ 240/208 Volts = 59.6/56.3 Amps
- Recommended Circuit Breaker - 50 Amps (40 Amps minimum)
- Always consult local and national electric codes.
- Make sure wall coverings around range can withstand heat generated by range.
- Linoleum or any other synthetic floor covering located beneath range, must be capable of withstanding minimum heat of 90°F above room temperature without shrinking, warping or discoloring. Insulating pad or 1/4"-thick plywood required between range and a carpeted floor.
- Countertop MUST be level in all directions and adjustable range height at least 1/16" greater than tallest cabinet height, to ensure metal rangetop flange will fit properly on countertop edge.
- When installing optional Backguard Kit, cutout depth of 21-3/4" minimum/22-1/8" maximum needs increased to 24".
- Overhead cabinetry should not exceed a 13" maximum depth.
- Absolute minimum horizontal distance between overhead cabinets installed to either side of appliance must be no less than maximum width of appliance.
- Allow 24" minimum clearance between rangetop and bottom of cabinet when bottom of wood or metal cabinet is protected by not less than 1/4" flame-retardant millboard covered with not less than No. 28 MGS sheet steel, 0.015" stainless steel, 0.024" aluminum or 0.020" copper. Allow 30" minimum clearance when cabinet is unprotected.
- To reduce risk of fire when using overhead cabinetry, install range hood that projects horizontally a recommended minimum of 5" beyond bottom of cabinets.

**Countertop Preparation**

For detailed preparation instructions, refer to installation guide on the web.

- Flat square-finish (flat) countertop requires no preparation since rangetop flange lays directly on countertop edge.
- Formed front-edged countertops require front molded edge to be shaved flat 3/4" from each front corner of opening.
- Tile countertops may need cut back 3/4" from each front corner of opening and/or rounded edge flattened.
- For existing cutout width greater than 30-1/16" reduce the 3/4" overlap dimension or for cutout width of 29", replace actual side trim panels with smaller side trim panels, available with optional Side Trim Kit (refer to detailed kit installation instructions).

**Note: For planning purposes only. Refer to Product Installation Guide on the web at [frigidaire.com](http://frigidaire.com) for detailed instructions.**

**Optional Accessories**

- Rear Filler Kit: Black - (PN# 901193-9010).
- Side Panel Kit: Black - (PN# 903074-9010).
- Backguard Kit: Black - (PN# 903046-9010).
- Side Trim Kit: Black - (PN# 903075-9010).

**FRIGIDAIRE**

USA • 10200 David Taylor Drive • Charlotte, NC 28262 • 1-800-FRIGIDAIRE • [frigidaire.com](http://frigidaire.com)  
CANADA • 5855 Terry Fox Way • Mississauga, ON L5V 3E4 • 1-800-265-8352 • [frigidaire.ca](http://frigidaire.ca)

FPCS3085L 02/11

© 2011 Electrolux Home Products, Inc.

Accessories information available on the web at [frigidaire.com](http://frigidaire.com)



Specifications subject to change.

Printed in the U.S.A.

Use these dimensions and clearance instructions for planning purposes only. For detailed installation instructions, refer to installation guide, packed with product, or on the web at [frigidaire.com](http://frigidaire.com).



When installing appliances adjacent to each other, 20" minimum distance between each appliance required.

When installing built-in cooking appliances in combination, 2" minimum visible gap between appliance faceplates required.



When installing side-by-side refrigerator adjacent to wall, cabinet or another appliance that extends beyond front edge of unit, 20" minimum clearance recommended to allow for optimum 120° to 180° door swing, providing complete drawer/crisper access and removal.

When installing appliance with sliding drawer, swinging or drop-down door directly across from obstructions, provide sufficient clearance for drawer extension or door swings.



When installing appliance with sliding drawer or drop-down door directly across from obstructions, provide sufficient clearance for drawer extension or door swing.

When installing appliance with sliding drawer or drop-down door adjacent to wall, cabinet, or other obstruction that extends beyond front edge of appliance, allow 2" minimum clearance between drawer or door and obstruction.

Use these dimensions and clearance instructions for planning purposes only. For detailed installation instructions, refer to installation guide, packed with product, or on the web at frigidaire.com.



When installing appliances adjacent to each other, 20" minimum distance between each appliance required.

When installing built-in cooking appliances in combination, 2" minimum visible gap between appliance faceplates required.



When installing appliance with sliding drawer, swinging or drop-down door directly across from obstructions, provide sufficient clearance for drawer extension or door swings.

\*When installing refrigerator adjacent to wall, cabinet or other appliance that extends beyond front edge of unit, 20" minimum clearance recommended to allow for optimum 140° door swing, providing complete crisper access and removal. (Absolute 3" minimum clearance will ONLY allow for 90° door swing which will provide limited crisper access with restricted removal.)



When installing appliance with sliding drawer or drop-down door directly across from obstructions, provide sufficient clearance for drawer extension or door swing.

When installing appliance with sliding drawer or drop-down door adjacent to wall, cabinet, or other obstruction that extends beyond front edge of appliance, allow 2" minimum clearance between drawer or door and obstruction.

