

DW80F600UTS

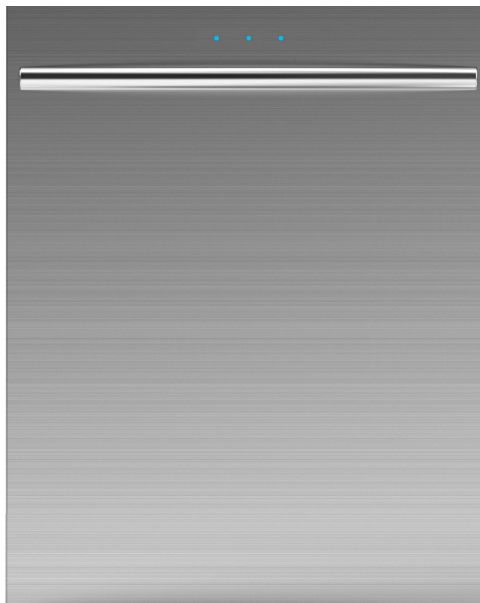
Stainless Dishwasher

Features

- Quiet operation – 48 dBA*
- ENERGY STAR® rated: 265 kWh/year
- Hidden Heating Element
- Double Filtration System
- Electronic Touch Sensor
- Hard Food Disposer
- 3 Spray Wash Arms (Upper, Middle, Lower)
- 4 Wash Cycles and 2 Wash Options
- Fan Condensing Drying System
- 2-Piece Removable Silverware Basket
- Adjustable Racking System
- Stainless Steel Interior

Convenience

- Child Lock
- Rinse Refill Indicator
- Cycle Progress Indicator
- Last Cycle Memory
- Audible End-of-Cycle Signal
- Self-Cleaning Filtration System
- True Hold Door
- Five Sensors (Digital Leakage, Water Fill, Overflow, Low Level Water, Turbidity)



Quiet Operation



Adjustable Racking System

Available Colors



Stainless Steel



White



Black

Signature Features



Performance
(48dBA/water
usage)

QUIET. POWERFUL.

- First-rated 48 dBA makes it among the quietest in its class.¹
- A six-layer door and special insulation system significantly minimizes noise during operation.²
- Only 4 gallons of water used per cycle saves on water usage.

¹Class = MSRP point.

²Internal testing = 46 dBA to 48 dBA. Normal conversation = approx. 60 dBA.



ENERGY
STAR®

ENERGY EFFICIENT

- This dishwasher is ENERGY STAR® 2013 Tier 1 compliant so that you can save money on your energy and water bills.
- Uses less than 265 kWh of power per year,³ exceeding Department of Energy standards.

³Based on DOE standards.



Adjustable
Racking
System

FLEXIBLE DESIGN FOR MORE SPACE

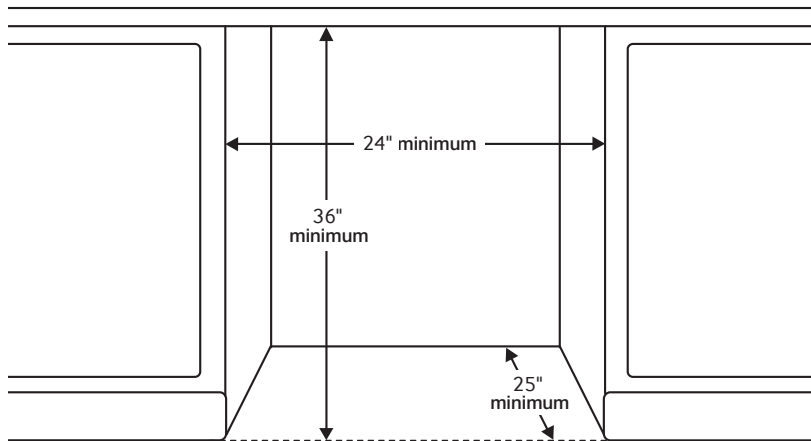
- With the Adjustable Racking System, the flexible and easy to use design frees up more space on the top rack for tall and oversized items.
- Allows you to fit more dishes with space for 15 place settings.

SAMSUNG

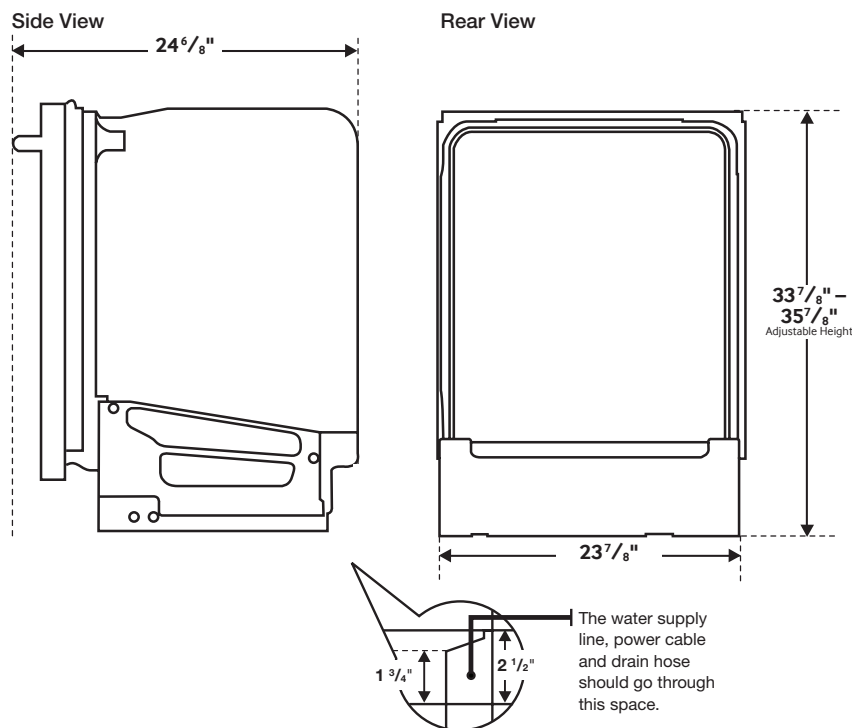
DW80F600UTS

Stainless Dishwasher

Installing Your Dishwasher



Dimensions



Performance

- 4 Wash Cycles
 - Smart Auto Wash
 - Heavy
 - Normal
 - Delicate-China/Gentle
- 2 Wash Options
 - NSF-Certified for Sanitize-
 - Delay Start – 3/6/9 Hours
- 3 Spray Wash Arms (Upper, Middle, Lower)
- Hidden Heating Element
- Double Filtration System
- Electronic Touch Sensor
- Hard Food Disposer
- Fan Assisted Condensing Drying System
- Self-Cleaning Filtration System
- Stainless Steel Interior

Convenience

- Child Lock
- Rinse Refill Indicator
- Cycle Progress Indicator
- Last Cycle Memory
- Audible End-of-Cycle Signal
- True Hold Door
- Five sensors (Digital Leakage, Water Fill, Overflow, Low Level Water, Turbidity)
- 2 Silverware Baskets
- Adjustable Racking System

Warranty

One (1) Year All Parts and Labor
Five (5) Year Limited on Printed Circuit Board and Interior Nylon Racks
Lifetime Limited Warranty on Stainless Steel Door Liner and Tub for Leakage

Product Dimensions & Weight (WxHxD)

Dimensions (adjustable):
23⁷/₈" x 33⁷/₈" – 35⁷/₈" x 24⁶/₈"

Weight: 108 lbs.

Shipping Dimensions & Weight (WxHxD)

Dimensions:
27¹/₄" x 37³/₄" x 28⁷/₈"

Weight: 125 lbs.

Color	Model #	UPC Code
Stainless Steel	DW80F600UTS	887276988887
White	DW80F600UTW	887276985534
Black	DW80F600UTB	887276985527

SAMSUNG