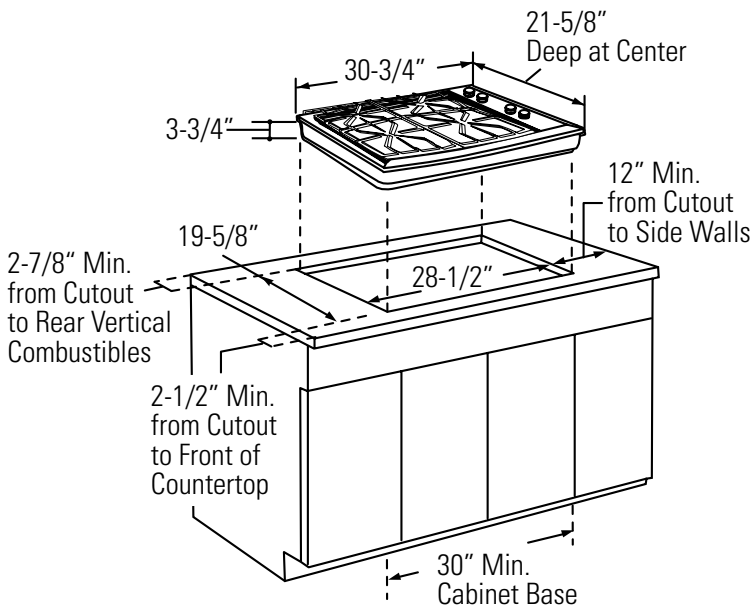
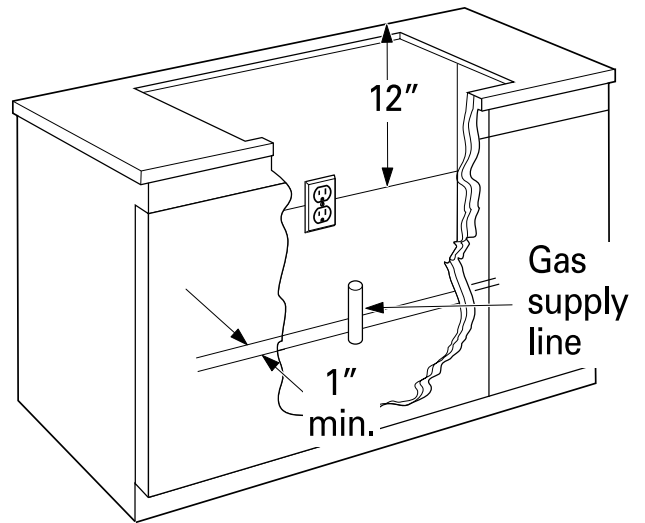


ZGU384LSMSS/ZGU384NSMSS GE Monogram® 30" Stainless Steel Gas Cooktop

Dimensions and Installation Information (in inches)



Note: The cooktop cutout is rectangular. The bowed front edge of the cooktop will sit on top of the counter. These cooktops may be installed in combination with a Monogram downdraft vent, a Monogram single oven or a Monogram warming drawer. See installation instructions for details.
Model ZGU384NSMSS - Natural Gas
Model ZGU384LSMSS - Liquid Propane
These stainless steel cooktops are factory set for natural or liquid propane gas. Be sure to order the correct model for the installation situation.



Note: Reference Instructions, GE Monogram 30" Stainless Steel Cooktop Installation, packed with product, for complete details. The house gas supply should be at least 1" from the back wall. The electrical outlet should be 12" below the countertop and within reach of the 4 ft. power cord.

For answers to your Monogram,® GE Profile™ or GE® appliance questions, visit our website at ge.com or call GE Answer Center® service, 800.626.2000.

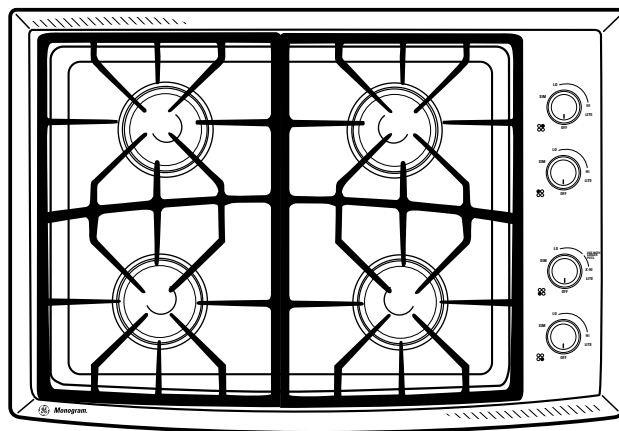


ZGU384LSMSS/ZGU384NSMSS

GE Monogram® 30" Stainless Steel Gas Cooktop

Features and Benefits

- Dual-Flame Stacked Burners - Provide complete 140F simmer-to-rapid-boil flexibility on all burners; the burners are sealed to the cooktop for easy cleaning
- High-Output Cooking Power - Delivered by an 18,000 BTU burner, totaling 50,000 BTUs*
- Silent, Precise Simmering - Delivers a consistent 140F temperature without cycling on and off; No simmer plate required
- Electronic Ignition - Ensures a continuous flame and reignites automatically if accidentally extinguished
- Hand-Machined, Stainless Steel Knob Controls - Rotate with smooth precision; A red indicator light embedded in each knob makes it easy to view and select heat settings
- Interlocking, Continuous Grates - Create a steady surface for cookware and are integrated into the cooktop for a clean, finished appearance
- Model ZGU384NSMSS - (Natural Gas)
Stainless steel
- Model ZGU384LSMSS - (Liquid Propane)
Stainless steel



*Natural Gas Model
Liquid Propane (15,000 BTU Burner, totaling 42,300 BTUs)

For answers to your Monogram®, GE Profile™ or GE® appliance questions, visit our website at ge.com or call GE Answer Center® service, 800.626.2000.

