



Black

White

75F

FEATURES

PERFORMANCE

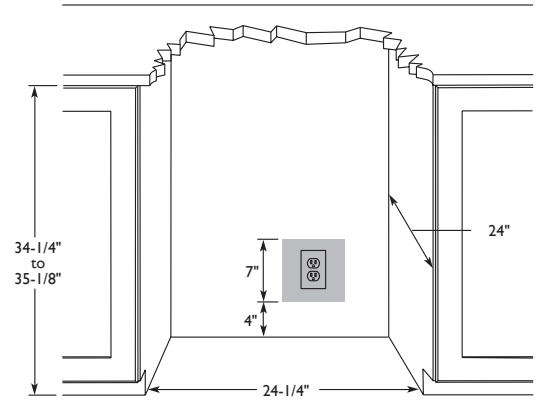
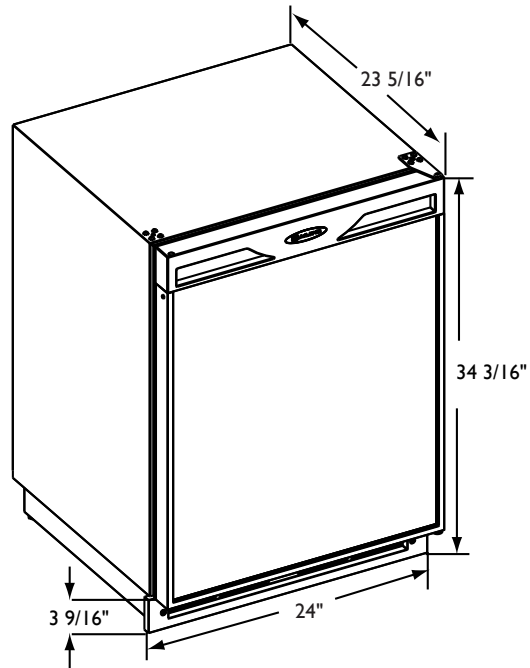
- 5.7 cubic feet overall freezer capacity maximizes storage and preservation of food and beverage items
- Mechanical dial control
- Freezer temperature setting from 0 to 5° F
- Mechanical controlled passive cooling system
- 220 volt model available with a 4 – 6 week order lead time
- UL Commercial listed only

INTERIOR / EXTERIOR

- Four 4mm tempered glass shelves with bullnose edges
- 2 door bins
- Vinyl coated cabinet helps withstand tough marine environments
- Corrosion resistant marine grade hardware provide better product longevity in harsh environments
- Field reversible door with zero clearance door swing eases installation
- Optional door lock

INTEGRATION

- Field reversible door with zero clearance door swing simplifies installation
- Models will accept a 1/4" insert panel
- No additional clearance around sides, top or rear of unit is needed for ventilation
- Sleek and contemporary look provides a very clean, high-end aesthetic
- Do not obstruct front grille air flow
- For proper installation and cut-out dimensions, see backside for details



75F Black and White Model

DIMENSIONS AND SPECIFICATIONS

OVERALL DIMENSIONS

Height	34-3/16" (86.8)
Width	24" (60.9)
Depth	23-5/16" (59.2)
Shipping weight:	114 lbs (51.8 kg)
Running amps	2.5
Maximum start-up amps	18.0
Amps pertain to voltage rating	110/115 volt, 60 Hz
Optional in 220/230 voltage, 50/60 Hz	

Capacities:

Defrost technology	Manual defrost
Freezer volume	5.7 Cu. Ft

75F

Black 110V	ULN-75FB-00
White 110V	ULN-75FWH-00
Black 110V	ULN-75FB-13
White 110V	ULN-75FWH-13
White 220V	ULN-75FHW-02

Please visit www.u-line.com for installation guide.

All specifications are subject to change without notice.

