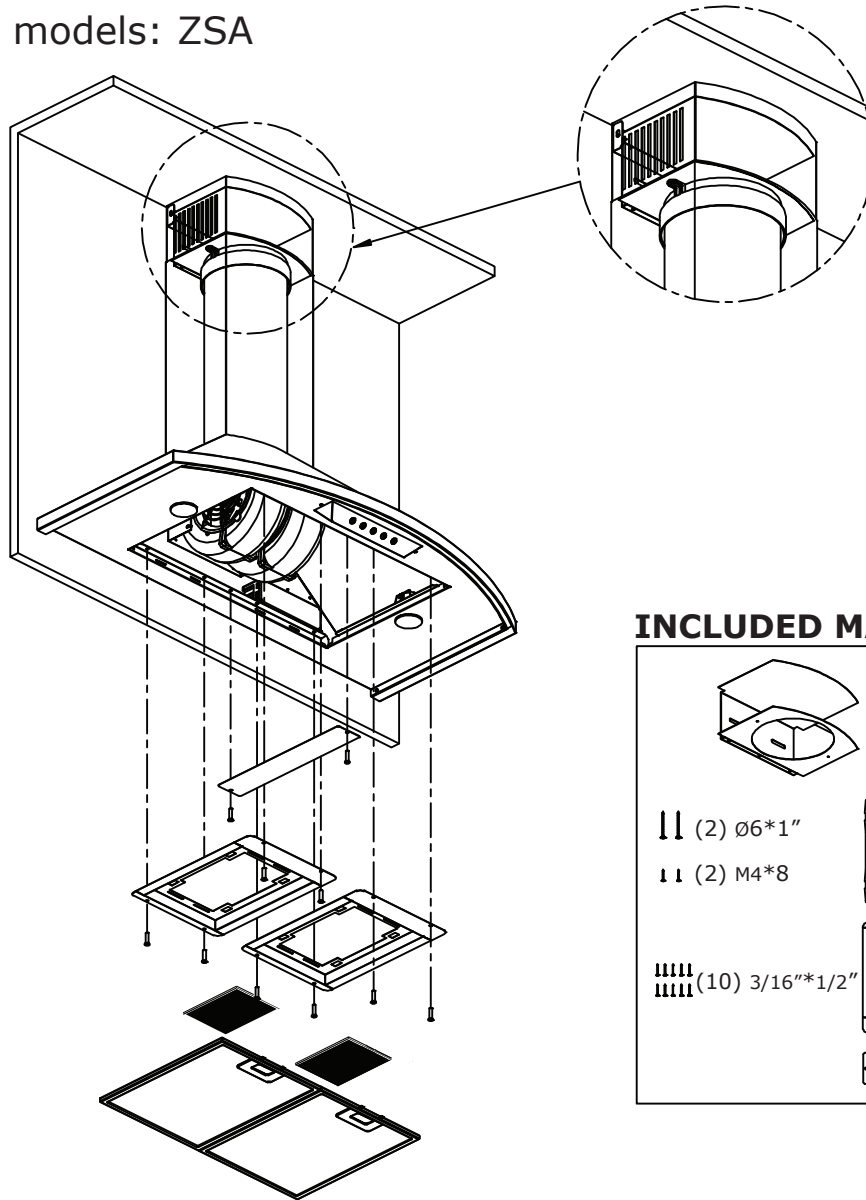
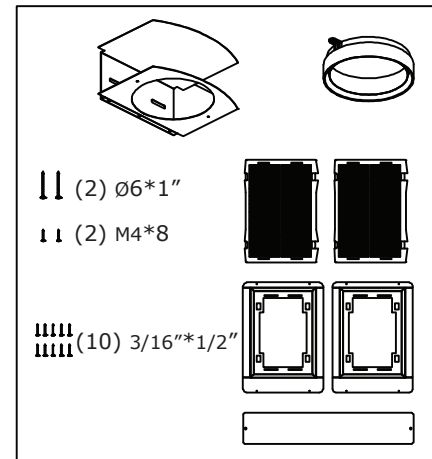


## ZRC-00SV

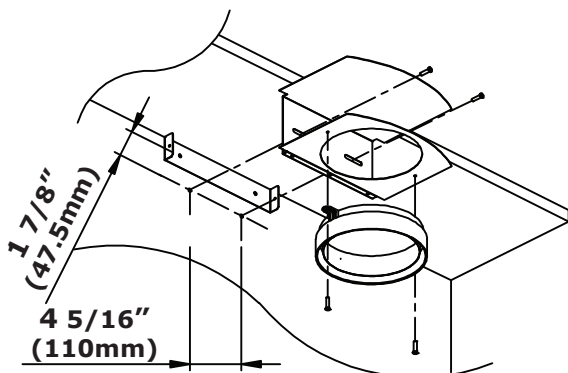
For use with models: ZSA



### INCLUDED MATERIALS



1



2

