



REFRIGERATION

Freestanding 36"W. French-Door Bottom-Mount Refrigerator/Freezer with Ice and Water Dispenser



Standard Features & Accessories

Models include

- Total capacity—19.8 cu. ft. (560 L)
- 70"H./24"D.
- "Cabinet depth" design (24"D. side panels) integrates with surrounding cabinetry—fit for replacement of most existing appliances
- Electronic controls with LCD display
- Frost-free refrigerator
 - o Capacity—14.8 cu. ft. (419 L)
 - o Three slide-out adjustable tempered glass spillproof shelves
 - o One small stationary glass shelf
 - o Temperature adjustable Meat Savor™/produce drawer
 - o Two moisture adjustable see-through produce drawers
 - o In-the-door dairy compartment with cover
- o Four large door bins (two bins store gallon containers); two small door bins
- o See-through egg bin with carrier holds up to 24 eggs
- o Glass butter tray with cover
- Frost-free freezer
 - o Capacity—5.0 cu. ft. (142 L)
 - o Adaptive defrost
 - o Factory-installed automatic ice maker
 - o Three slide-out baskets
- Ice and water dispenser
 - o Through-the-door dispenser provides cubed ice and chilled water
 - o Easy fill option accommodates large containers
- o Premium water filter provides cleaner water supply by filtering bad tastes, odors, sediment and harmful contaminants.
- o LED dispenser lighting can be set to run continuously or to illuminate when room lighting is low
- Open door alarm sounds to warn that door has been ajar for five minutes
- High temperature alarm
- Energy Star Qualified
- CEE Tier I Super Efficient

Model Options



VCF136D
Professional



DDFF136D
Designer

FINISH DETAILS FOR BOTH MODELS

- Stainless Steel (SS)
- Finish code designates door fronts.
Gray cabinet sides and top (VCF)
- Black cabinet sides and top (DDFF)





REFRIGERATION

Freestanding 36"W. French-Door Bottom-Mount Refrigerator/Freezer with Ice and Water Dispenser



★ Please see Installation Notes & Accessories for important information, including water filter, handle, trim and top grille kits.

Dimensions & Specifications

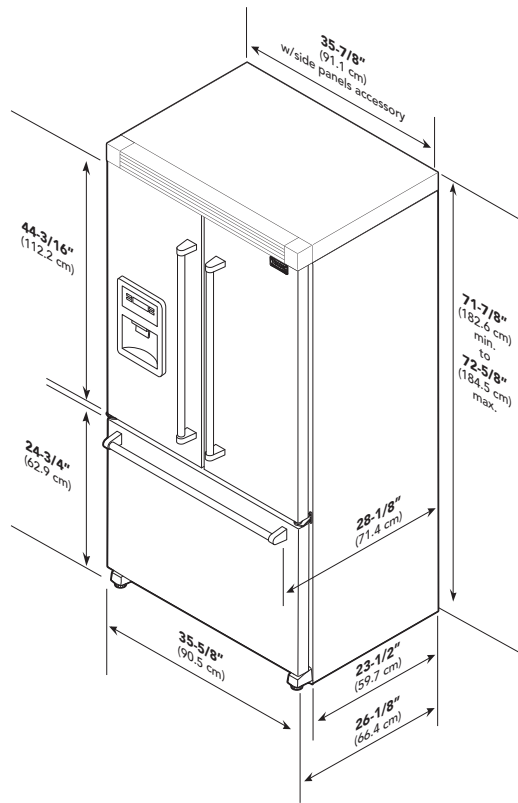
PRODUCT DIMENSIONS



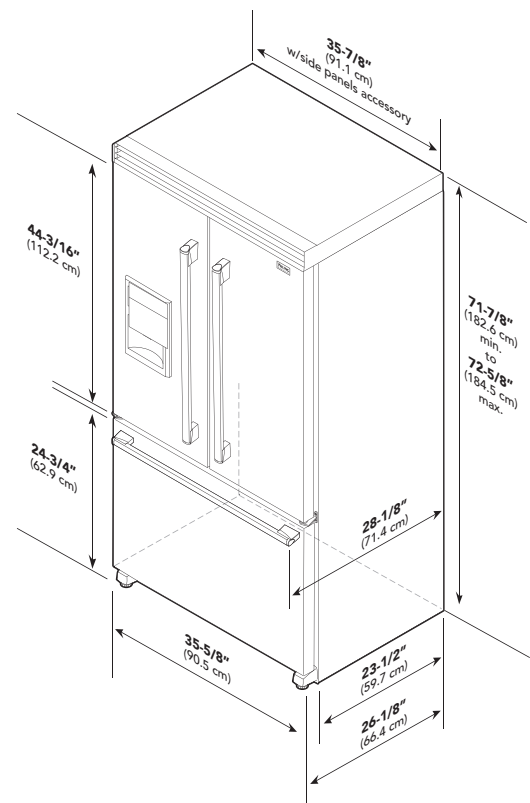
VCFF136D
Professional



DDFF136D
Designer



PROFESSIONAL



DESIGNER

VCFF/DDFF136D

Overall width	35-5/8" (90.5 cm)
Addition of side panels	35-7/8" (91.1 cm)
Overall height (from bottom to top of door)	69-7/8" (177.5 cm)
Addition of tops/grilles	71-7/8" (182.6 cm)
Overall depth (from rear)	
To front of door	26-1/8" (66.3 cm)
To front of handle	28-1/8" (71.4 cm)
Approx. ship weight	327 lbs. (148.7 kg)





REFRIGERATION

Freestanding 36"W. French-Door Bottom-Mount Refrigerator/Freezer with Ice and Water Dispenser



Dimensions & Specifications

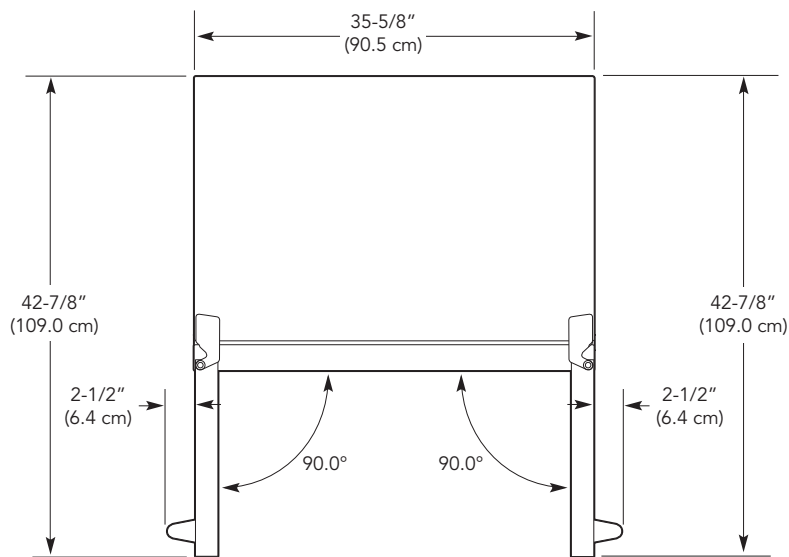
DOOR SWING



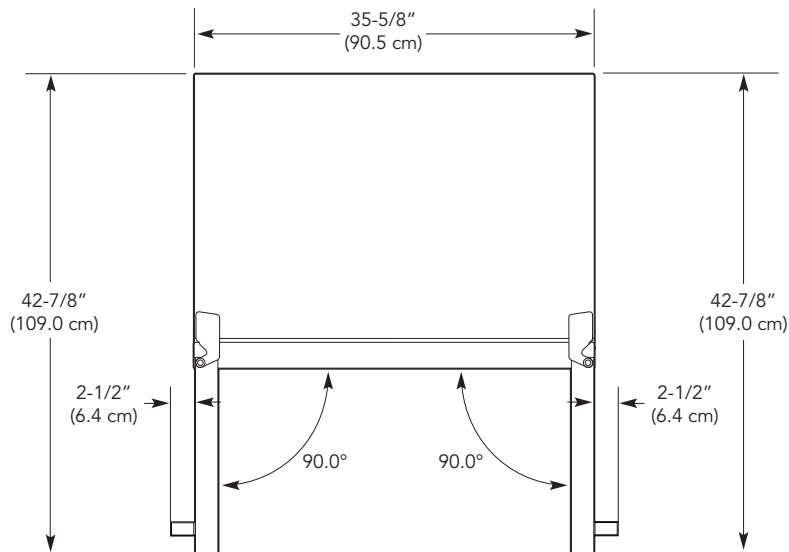
VCFF136D
Professional



DDFF136D
Designer



PROFESSIONAL



DESIGNER





REFRIGERATION

Freestanding 36"W. French-Door Bottom-Mount Refrigerator/Freezer with Ice and Water Dispenser



UTILITY REQUIREMENTS



GAS
Not applicable



ELECTRICAL

- Three-wire cord with grounded three-prong plug attached to product. Do not use an extension cord or adapter plug for a two-prong receptacle—call a qualified electrical installer.
 - o 115V/60 Hz; 15 amp dedicated circuit
 - o Maximum amp usage—10.0
 - o Estimated energy usage—523 kWh/year



PLUMBING

- Inlet waterline requirements—1/4" copper tubing
 - o 35 psi min.;
 - o 120 psi max.

Installation Requirements

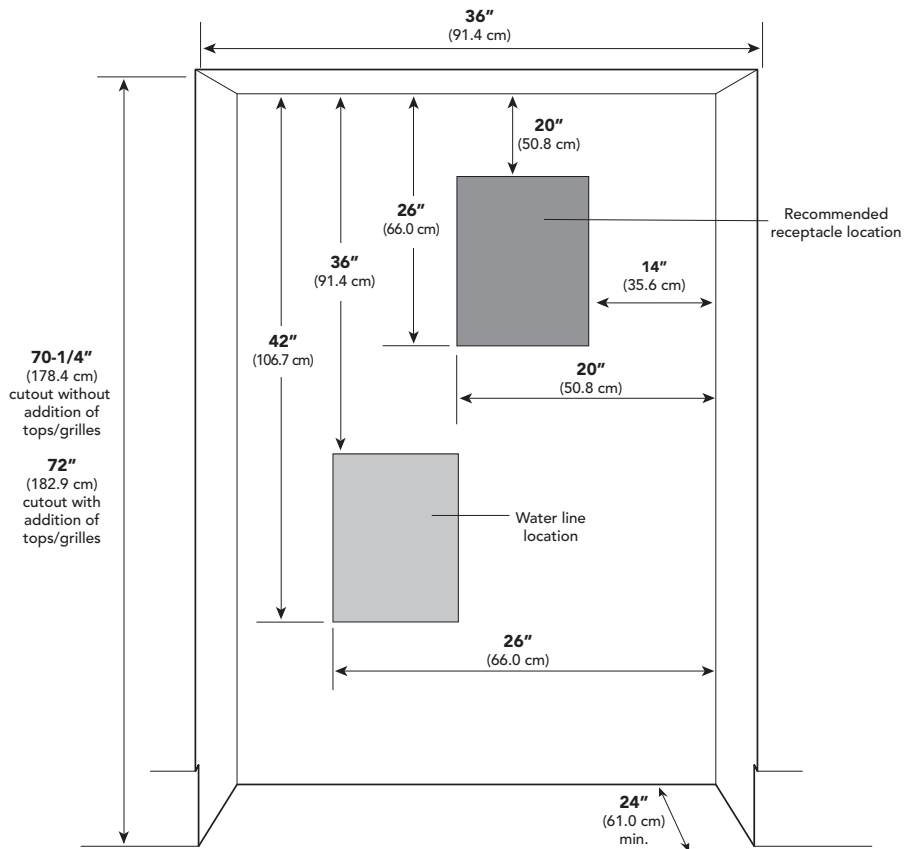
ACCESS REQUIREMENTS



VCFF136D
Professional



DDFF136D
Designer



When installing into a cutout, the edge of the door must be 2-7/8" (7.3 cm) from the adjacent countertop cabinet.

Allow 1/2" (1.3 cm) space at top and 1/2" (1.3 cm) behind the machine compartment cover (located in the rear) for proper air circulation. Sub-flooring or floor coverings (i.e. carpet, tile, wood floors, rugs) may make your opening smaller than anticipated.

All models	
Cutout width	36" (91.4 cm)
Cutout height	70-1/4" (178.4 cm)
Addition of tops/grilles	72" (182.9 cm)
Cutout depth	24" (61.0 cm)





REFRIGERATION

Freestanding 36"W. French-Door Bottom-Mount Refrigerator/Freezer with Ice and Water Dispenser



★ Installation Notes & Accessories

Side Trim Kit

- Stainless Steel finish
- Provides "built-in" look when used with a top grille kit

Model	Description	Approx. ship wt. lbs. (kg)
FRSTKFD	French door bottom-mount side trim kit	13 (5.9)

Top Grille Kits

- Stainless Steel finish
- Provides "built-in" look when used with a side trim kit; provides "wrapped" look when used with side panel and top kits

Model	Description	Approx. ship wt. lbs. (kg)
PFRGKFD	Professional french door bottom-mount grille kit	10 (4.5)
DFRGKFD	Designer french door bottom-mount grille kit	10 (4.5)

Side Panel Kit

- Stainless Steel finish
- Provides "wrapped" look when used with top grille and top kits
- Side panel kits include panels for both sides

Model	Description	Approx. ship wt. lbs. (kg)
FRSPKFD	French door bottom-mount side panel kit	60 (27.0)

Top Kit

- Stainless steel finish
- Provides "wrapped" look when used with side panel and top grille kits

Model	Description	Approx. ship wt. lbs. (kg)
FRTOPFD	French door bottom-mount top kit	19 (8.6)

Replacement Water Filter

- Replaces water filter cartridges supplied with freestanding refrigerator/freezers
- Reduces sediment, bad taste and odor
- Reduces cysts, particulates, turbidity, lead, chlorine, atrazine and lindane
- NSF certified
- Ready to install—no assembly required

Model	Description	Approx. ship wt. lbs. (kg)
RWF-FR	Replacement water filter	5 (2.3)

Compliance Information



WARRANTY SUMMARY*

- Two-year full warranty—complete unit
- Six-year full warranty—sealed refrigeration system (includes compressor, condenser, dryer/strainer, evaporator, and connecting tubing)
- Twelve-year limited warranty—sealed refrigeration system
- Ninety-day limited warranty—cosmetic parts such as glass, painted items, and decorative items

*For complete warranty see *Use & Care Guide*. Warranty valid on Viking products shipped within the United States and Canada.

