

PP950WM/BM

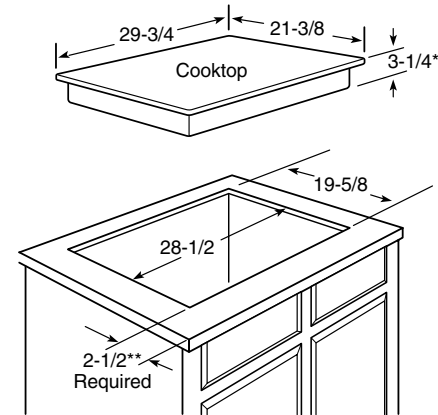
GE Profile™ 30" Built-In CleanDesign Electric Cooktop

KW Rating	
240V	7.4
208V	5.6
Breaker Size	
240V	40 Amps†
208V	30 Amps†

†**Note:** Check local codes for required breaker size

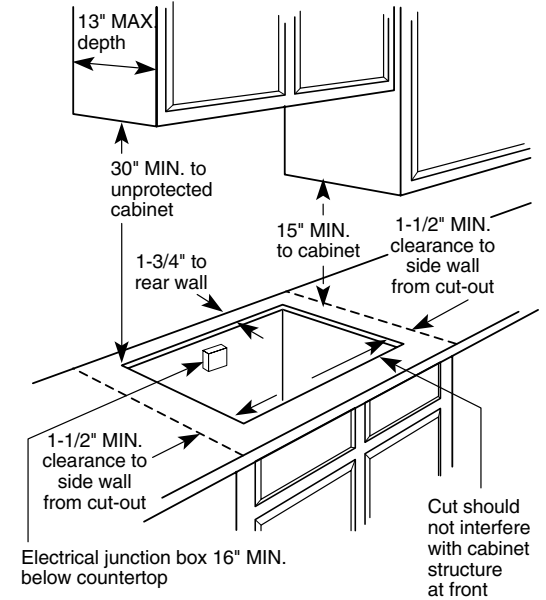
Important: Requires a 5" free area between the bottom of the cooktop to any combustible material, i.e., shelving. Free area not required when installing wall oven underneath cooktop. Refer to installation instructions. Requires a 15" minimum from cooktop to adjacent overhead cabinets. Units are furnished with a 48" flexible armored cable.

Note: 30" Ribbon cooktops are approved for use over select GE 30" Single Wall Ovens and Warming Drawers. All 30" ribbon cooktops can be installed over 27" wall ovens and warming drawers. Refer to cooktop and wall oven/warming drawer installation instructions packed with product for current dimensional data. If installed with a GE Profile™ Telescopic Downdraft System, consult both the cooktop and downdraft installation instructions packed with product before installing. Cooktop gas/electric supply may need to be re-routed to install downdraft. The countertop must be at least 26" deep with a flat surface area of 23-1/2" or more, front to back. In addition, other clearances to the front edge of the countertop must be considered. Consult cabinet and countertop manufacturer's specs for flush mount installation prior to install. **Before installing, consult installation instructions packed with product for current dimensional data.**



*Depth of unit at conduit connection location (rear) is 6-1/2" on models PP980/975/950/945 and 4-5/8" on models PHP900/PP972/962/942/932/912, JP655/356/346.

**Raised bull nose countertops may require up to 3/8" additional clearance to prevent interference with curved front.



For answers to your Monogram®, GE Profile™ or GE® appliance questions, visit our website at ge.com or call GE Answer Center® service, 800.626.2000.

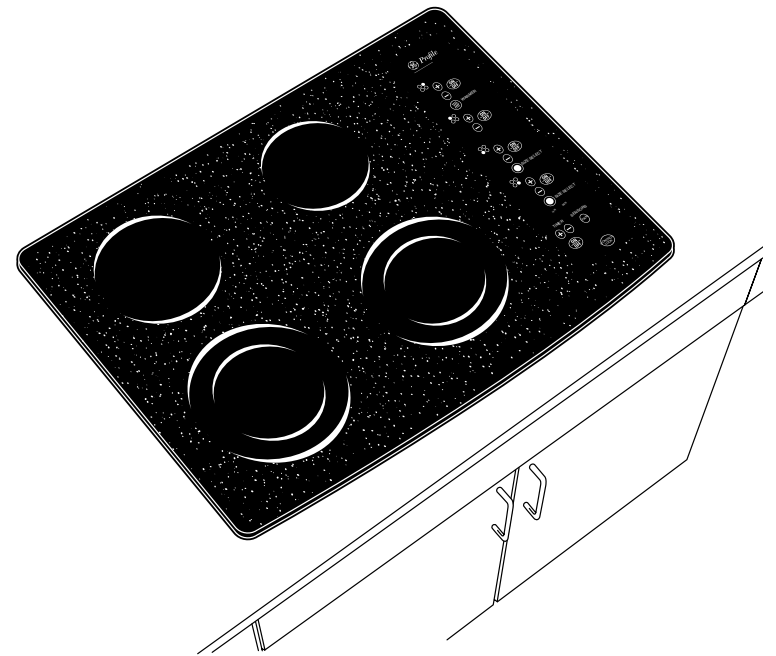


PP950WM/BM

GE Profile™ 30" Built-In CleanDesign Electric Cooktop

Features and Benefits

- Electronic Touch Controls - Offer easy, point-and-cook convenience
- Precise Digital Control System™ - Delivers accurate control on the cooktop, ensuring even heating and less temperature variation
- Electronic Kitchen Timer - Provides convenient notification to help coordinate meal preparation and cooking times
- Pan Presence Sensor - Detects when a burner element is left "on" and automatically shuts it off when not in use
- Pan Size Sensor - Automatically adjusts the heating element to the size of the pan
- Dual Size Ribbon Elements - Offers a convenient choice of using a 6" or 9" on one and a 5" or 8" on the other heating element, depending on the size of the pan
- Warming Zone - Provides low heat capability for foods, making meal coordination simple
- Ribbon Heating Elements - Provide powerful heat beneath a smooth glass surface to ensure even heat and fast warm-up times
- Model PP950WMWW - White on white
- Model PP950BMBB - Black on black



imagination at work