

Frigidaire

Factory Parts Catalog

Product No.	FAH08ES1TA11	FAH08ES1TA12	FAH08ES1TA13
Series	TTW/Builder	TTW/Builder	TTW/Builder
Color	white	white	white
Volts	115	115	115
BTU-Cooling	8000	8000	8000
BTU-Heating	4200	4200	4200
Owner's Guide	66129901613en	66129901613en	66129901613en
Installation Instructions	66129901165	66129901165	66129901165
Energy Guide	62229902429	62229902429	62229902429
Market	North America	North America	North America



Electrolux Major Appliances
 North & Latin America
 P.O. BOX 212378
 AUGUSTA, GA 30917

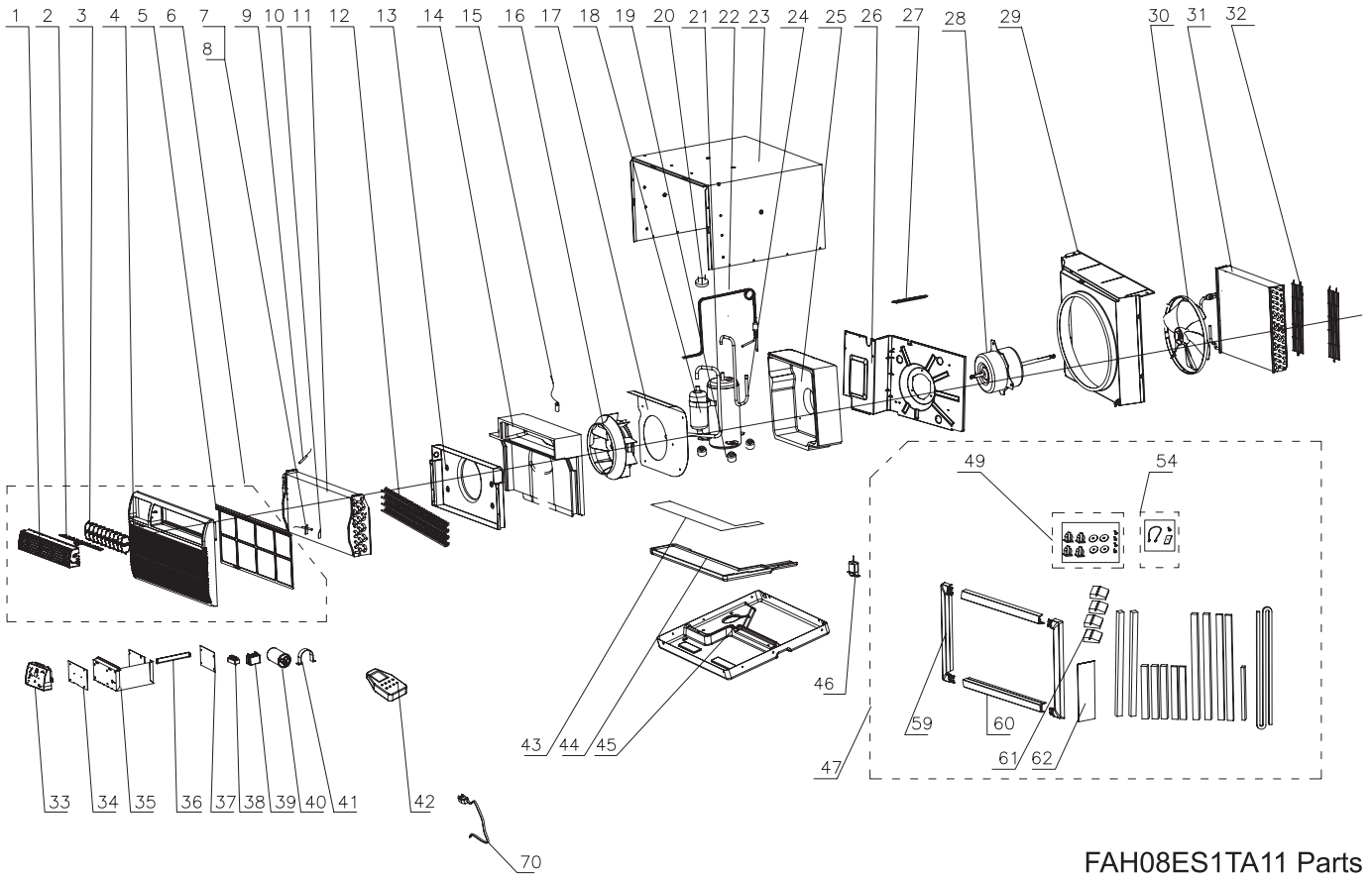
Publication No.
5995515102
 08/05/21
 (EN/SERVICE/KC)
 099

**ROOM AIR
 CONDITIONER**

Model No.
FAH08ES1T

Copyright © 2008 Electrolux Home Products, Inc.
 All rights reserved.

RECOMMENDED SPARE PARTS



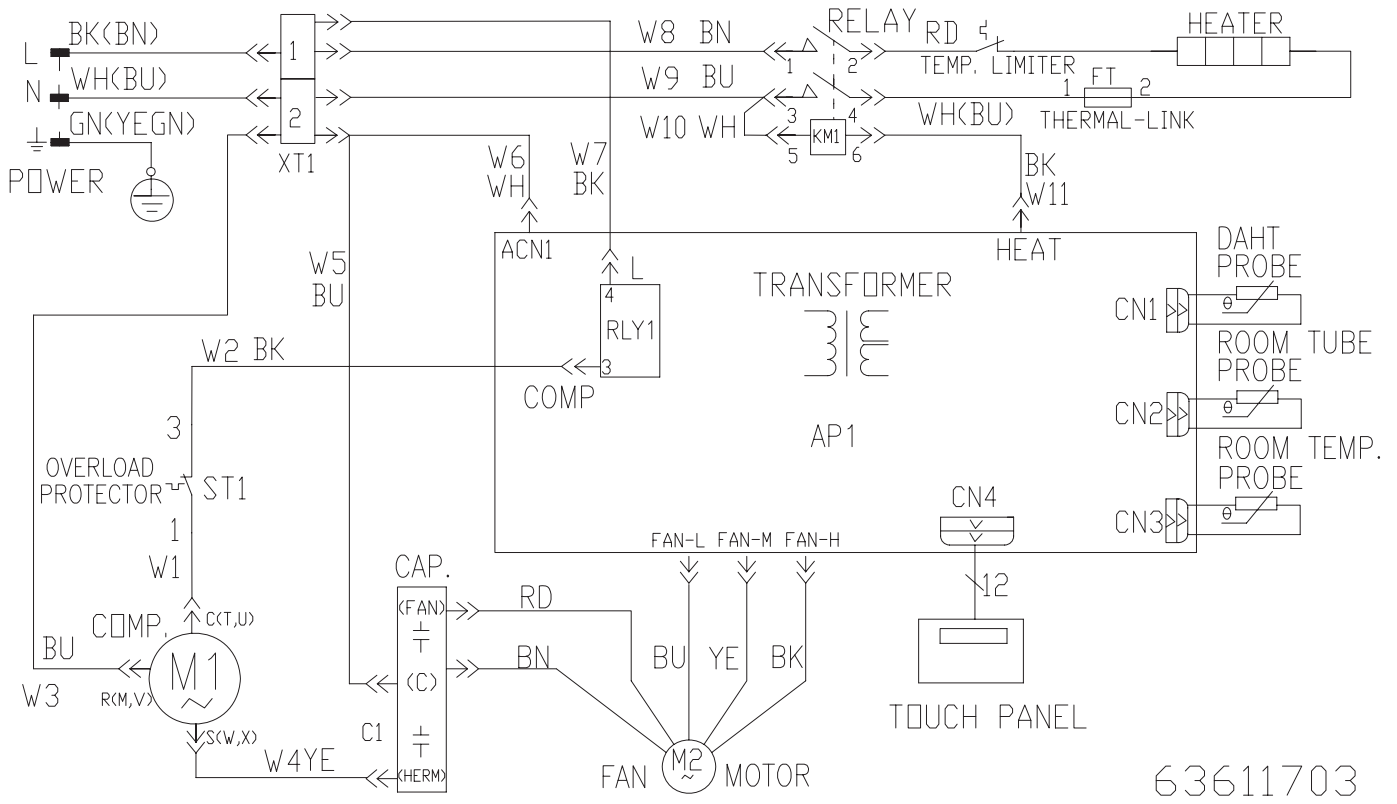
FAH08ES1TA11 Parts

RECOMMENDED SPARE PARTS

Model Index: A FAH08ES1T (FAH08ES1TA11)
 B FAH08ES1T (FAH08ES1TA12)
 C FAH08ES1T (FAH08ES1TA13)

POS. NO	PART NO.		DESCRIPTION
1 #	5304459668	A B C	Louver, horizontal
2	5304459705	A B C	Link, vertical louver, with handle
3 #	5304459706	A B C	Louver, vertical
4	5304459669	A B C	Panel, front grille
5 #	5304459671	A B C	Filter, air
6 #	5304467075	A B C	Front Assembly, complete panel
7 #	5304459792	A B C	Thermistor, temp sensor, ambient
8	5304459932	A B C	Clip, sensor support
9 #	5304459793	A B C	Thermistor, evap sensor, defrost
10	5304467076	A B C	Deflector, air filter, guide
11 #	5304467077	A B C	Evaporator
12 #	5304467103	A B C	Heater, electric
13	5304467104	A B C	Panel, heater support
14	5304467102	A B C	Scroll, blower housing, front
15 #	5304459746	A B C	Thermistor, discharge, high heat
16 #	5304467079	A B C	Blower Wheel, centrifugal fan
17	5304467105	A B C	Baffle
18 #	5304459685	A B C	Compressor
19	5304467080	A B C	Grommet, compressor, rubber
20 #	5304467081	A B C	Overload Protector, compressor
21 #	5304467082	A B C	Tube, suction
22 #	5304467083	A B C	Tube, capillary
23	5304467084	A B C	Cabinet, wrapper/sleeve
24 #	5304467085	A B C	Tube, discharge
25	5304467086	A B C	Scroll, blower housing, rear
26	5304467087	A B C	Bulkhead, air system
27	5304467088	A B C	Rod, connecting
28 #	5304467089	A - -	Motor, fan
28 #	5304467100	- B -	Motor, fan
28 #	5304467101	- - C	Motor, fan
29	5304467090	A B C	Shroud, fan housing, condenser
30 #	5304459786	A B C	Fan Blade, propeller
31 #	5304467091	A B C	Condenser
32	5304467092	A B C	Grille, rear
33	5304467106	A B C	Control Panel, display console
34 #	5304467107	A B C	PC Board, display/input
35	5304463747	A B C	Control Box
36 #	5304459673	A B C	Connector, electric, pole
37 #	5304459728	A B C	PC Board, control, main
38 #	5304459674	A B C	Terminal, electric, board 2-8
39 #	5304460001	A B C	Relay, AC contactor
40 #	5304467095	A B C	Capacitor
41	5304459676	A B C	Strap, capacitor clamp
42 #	5304465361	A B C	Remote Control, transmitter
43 #	5304459778	A B C	Shield, heat, drip tray
44	5304467096	A B C	Tray, drip pan
45	5304467108	A B C	Base, unit chassis
46 #	5304459477	A B C	Valve, drain
47 #	5304467098	A B C	Installation Kit, complete
49	5304459817	A B C	Fastener Kit, screws, washers
54 #	5304459818	A B C	Grounding Kit
59	5304459820	A B C	Trim, cabinet frame, side
60	5304459821	A B C	Trim, cabinet frame, top/bottom
61	5304459822	A B C	Block, spacer support, (2)
62	5304459823	A B C	Spacer, tapered board, baffle
70 #	5304463744	A B C	Power Cord, electric, LCDI

WIRING DIAGRAM



63611703