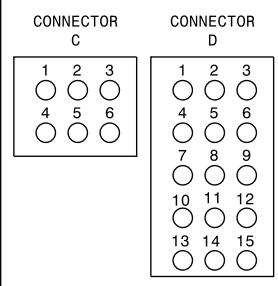
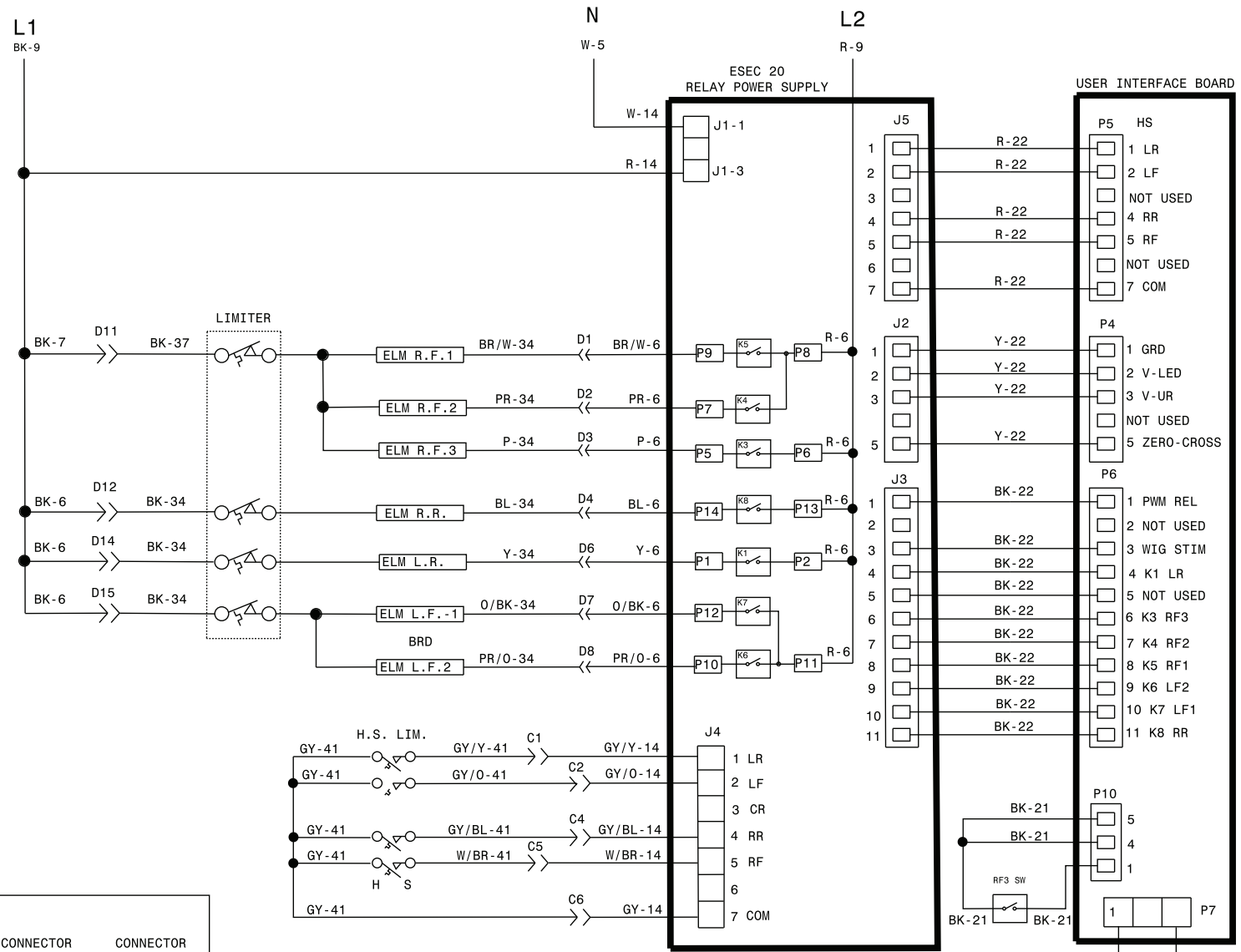
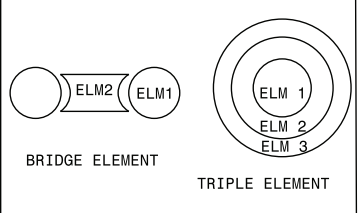


COOKTOP CIRCUIT



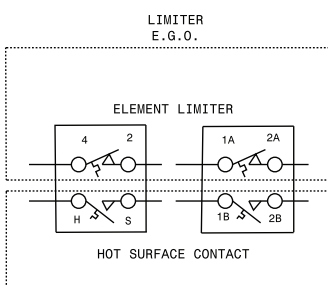
COLORS

- BK. - BLACK
- G. - GREEN
- W. - WHITE
- R. - RED
- O. - ORANGE
- Y. - YELLOW
- BR. - BROWN
- BL. - BLUE
- GY. - GRAY
- T. - TAN



LEGEND

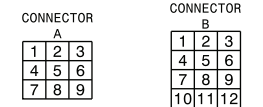
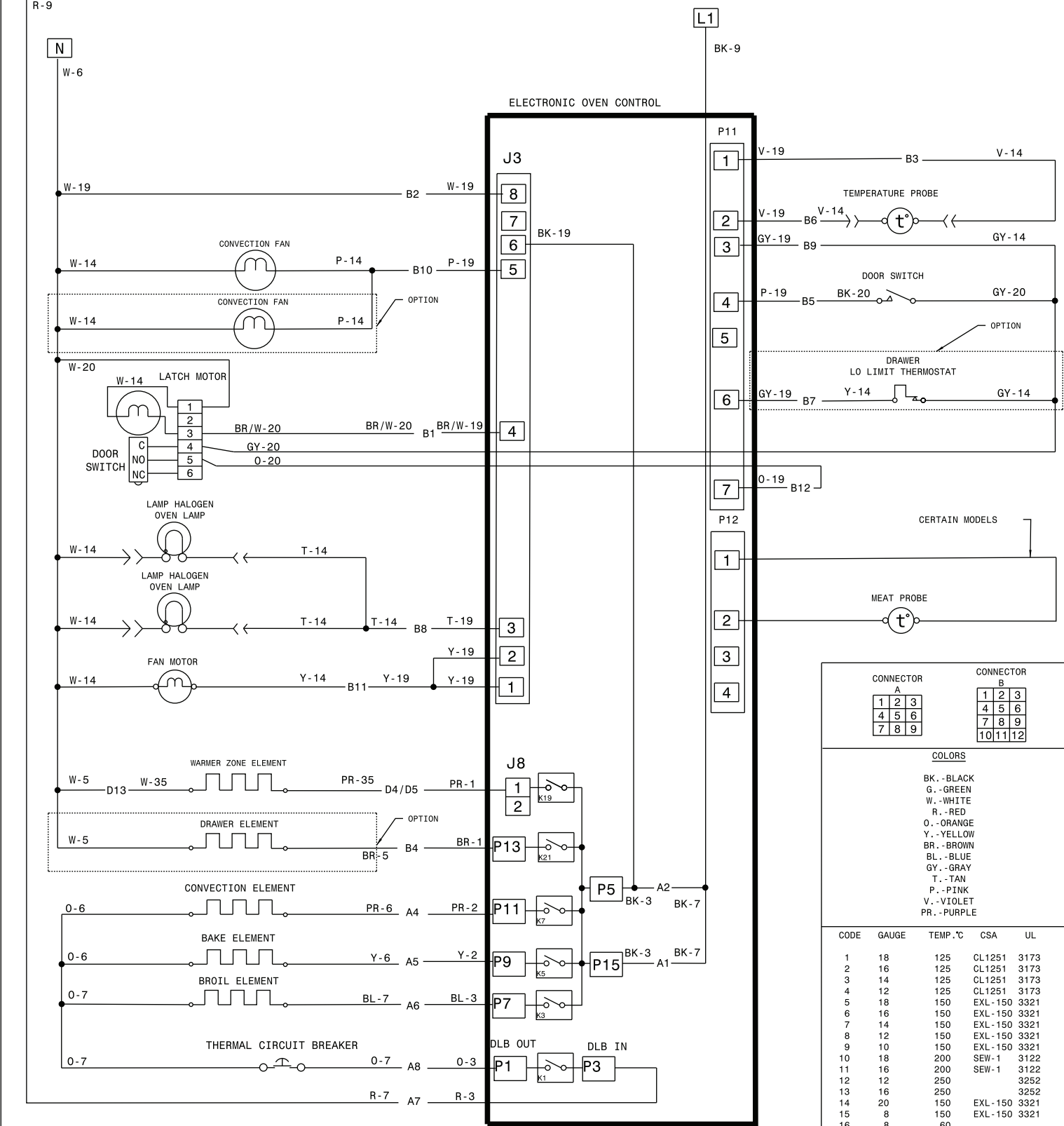
- C.R. - CENTER REAR
- R.F. - RIGHT FRONT
- R.R. - RIGHT REAR
- L.F. - LEFT FRONT
- L.R. - LEFT REAR
- LIM. - LIMITER
- H.S. - HOT SURFACE
- THM. - THERMOSTAT
- BRD. - BRIDGE ELEMENT



CODE	GAUGE	TEMP. °C	CSA	UL
1	18	125	CL1251	3173
2	16	125	CL1251	3173
3	14	125	CL1251	3173
4	12	125	CL1251	3173
5	18	150	EXL-150	3321
6	16	150	EXL-150	3321
7	14	150	EXL-150	3321
8	12	150	EXL-150	3321
9	10	150	EXL-150	3321
10	18	200	SEW-1	3122
11	16	200	SEW-1	3122
12	12	250		3252
13	16	250		3252
14	20	150	EXL-150	3321
15	8	150	EXL-150	3321
16	8	60		
17	10	60		
18	10	200	SEW-1	3122
19	20	125	CL1251	3173
20	20	200	SEW-1	3122
21	22	125		3266
22	22	150		10109
23	18	200		3573
34	16	200		3512
35	18	200		3512
37	14	200		3512
41	20	200		3512

CAUTION:
 DISCONNECT POWER BEFORE SERVICING UNIT.
 LABEL ALL WIRES PRIOR TO DISCONNECTION WHEN SERVICING CONTROLS.
 WIRINGS ERRORS CAN CAUSE IMPROPER AND DANGEROUS OPERATION.
 VERIFY PROPER OPERATION AFTER SERVICING.

OVEN CIRCUIT



COLORS

- BK. - BLACK
- G. - GREEN
- W. - WHITE
- R. - RED
- O. - ORANGE
- Y. - YELLOW
- BR. - BROWN
- BL. - BLUE
- GY. - GRAY
- T. - TAN
- P. - PINK
- V. - VIOLET
- PR. - PURPLE

CODE	GAUGE	TEMP. °C	CSA	UL
1	18	125	CL1251	3173
2	16	125	CL1251	3173
3	14	125	CL1251	3173
4	12	125	CL1251	3173
5	18	150	EXL-150	3321
6	16	150	EXL-150	3321
7	14	150	EXL-150	3321
8	12	150	EXL-150	3321
9	10	150	EXL-150	3321
10	18	200	SEW-1	3122
11	16	200	SEW-1	3122
12	12	250		3252
13	16	250		3252
14	20	150	EXL-150	3321
15	8	150	EXL-150	3321
16	8	60		
17	10	60		
18	10	200	SEW-1	3122
19	20	125	CL1251	3173
20	20	200	SEW-1	3122
21	22	125		3266
22	22	150		10109
23	18	200		3573
34	16	200		3512
35	18	200		3512
37	14	200		3512
41	20	200		3512

CAUTION:
 DISCONNECT POWER BEFORE SERVICING UNIT.
 LABEL ALL WIRES PRIOR TO DISCONNECTION WHEN SERVICING CONTROLS.
 WIRINGS ERRORS CAN CAUSE IMPROPER AND DANGEROUS OPERATION.
 VERIFY PROPER OPERATION AFTER SERVICING.