



Electrolux

Factory Parts Catalog

Product No.	E36EC65ESS1
	38066423650S1
Series	36" elec
Color	stainless
Market	North America
Wiring Diagram	318046813
Owner's Guide	318200625
Installation Instructions	318201428

Electrolux

Electrolux Major Appliances
North & Latin America
P.O. BOX 212378
AUGUSTA, GA 30917

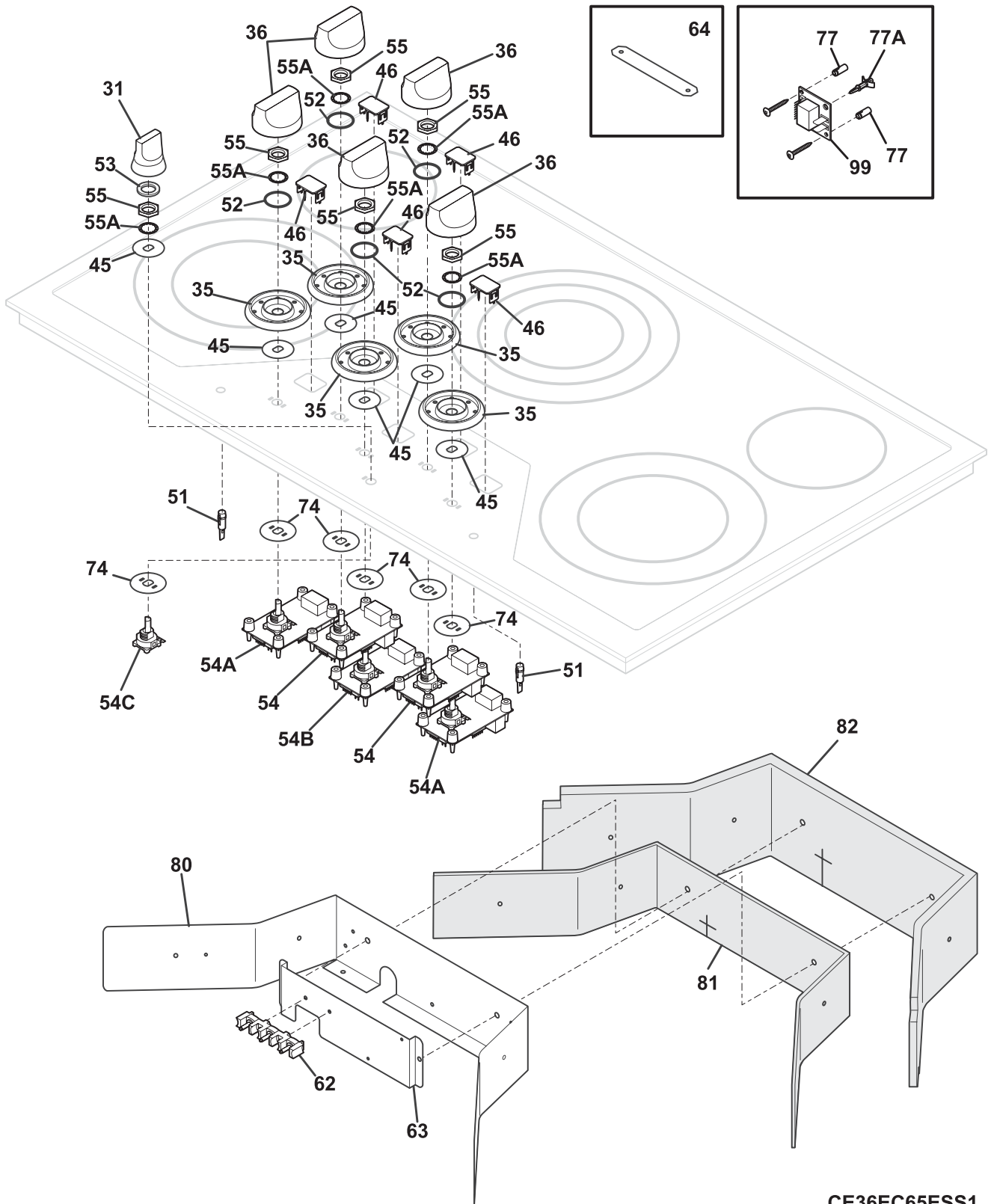
Publication No.
5995449518
05/09/28
(EN/SERVICE/ECL)
377

ELECTRIC COOK-TOP RANGE

Model No.
E36EC65E

Copyright © 2005 Electrolux Home Products, Inc.
All rights reserved.

CONTROL PANEL

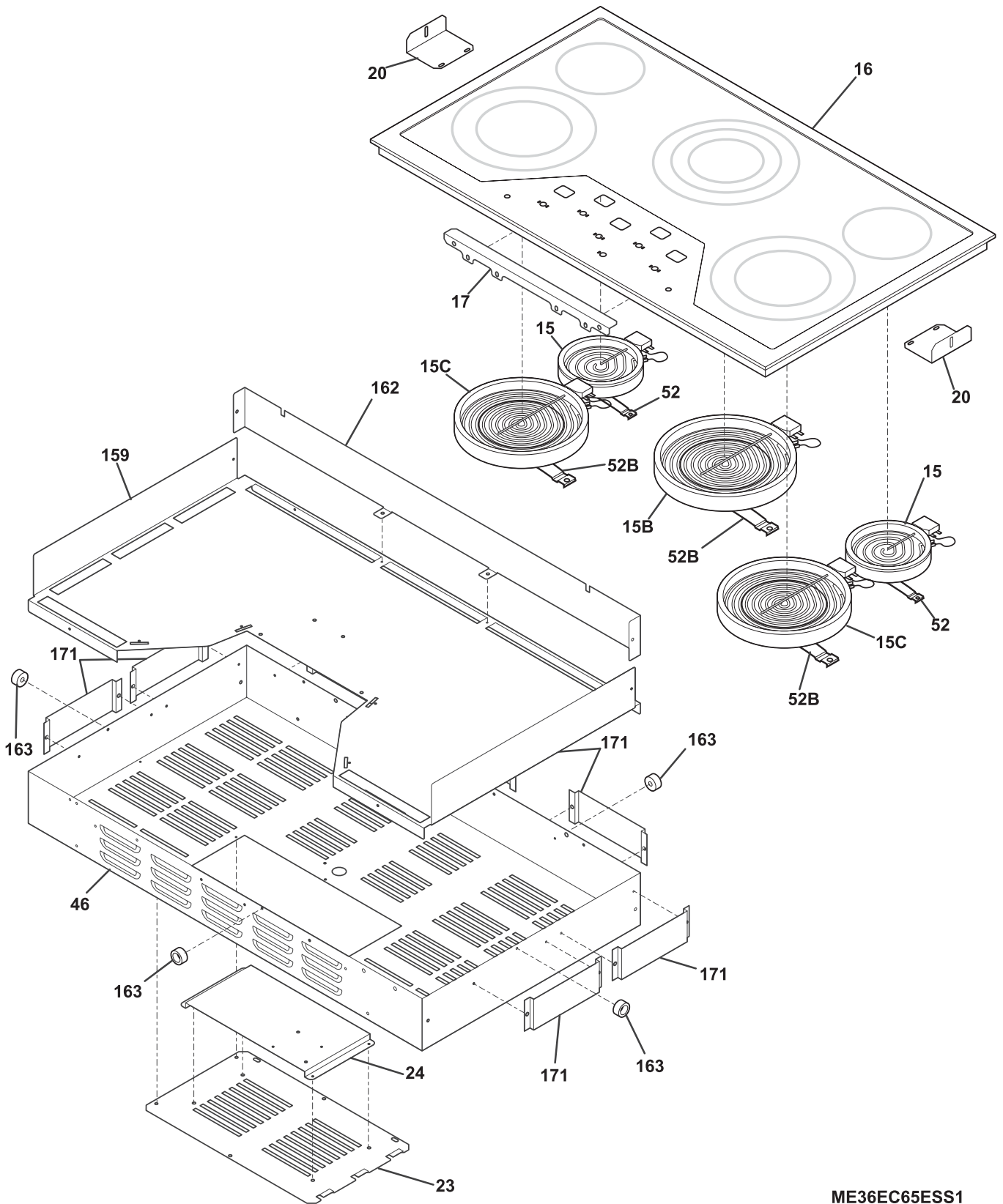


CE36EC65ESS1

CONTROL PANEL

POS. NO	PART NO.	DESCRIPTION
31	318314700	Knob, selector, black
35	318251903	Skirt, (5)
36	318319101	Knob, control, black, (5)
45	318146012	Bushing, switch, (6)
46	318319001	Lens, indicator light, green, (5)
51 #	318337200	Light, indicator, blue, (2)
52	318337100	Gasket, o'ring, (5)
53	318339200	Washer, flat, nylon
54 #	316441830	Control, electronic, single element, (2)
54A#	316441831	Control, electronic, dual element, (2), w/potentiometer
54B#	316441832	Control, electronic, triple element, w/potentiometer
54C#	318310000	Switch, selector
55	316247700	Nut, hex control mtg, (5)
55A	316247800	Washer, lock, (5), control mtg
62	316056000	Terminal Block
62*	5303323144	Nut, 10-32
62*	5303323139	Screw, 10-24 x 0.906
63	318310600	Bracket, terminal block
63*	5304449778	Screw, bracket mtg., 8 x 1/2", (2)
64	318311400	Plate, hidden wires
74	318146011	Bushing, switch
77	316247900	Spacer, power board, (2)
77A	316114100	Spacer, (2)
80	318303400	Deflector, switch
*	5303311306	Screw, 8-18 x 0.375, (3)
*	5304410665	Screw, 10-32 x 5/8, (8)
81	318106052	Insulation, w/aluminum foil
82	318285089	Insulation
99	316435702	Board, power supply
*	318083027	Harness, wiring, limiter
*	318083038	Harness, wiring, to controls
*	318163602	Cleaner, stainless steel
*	5303308449	Fastener, wire tie

MAIN TOP/SURFACE UNITS



ME36EC65ESS1

MAIN TOP/SURFACE UNITS

POS. NO	PART NO.	DESCRIPTION
15 #	318198817	Element, surface, 6", 1200 W, (2)
15B#	318297800	Element, surface, triple, 800/900/1000
15C#	318198925	Element, surface, 6/9, 1200/2500W, dual radiant
16	318310210	Maintop Assembly, glass/frame, black/stainless
17	318341011	Bracket, trim holder, black
20	318121905	Bracket, retainer, (2)
*	5303300265	Screw, 8-18 X 1/2, (2)
*	5303323130	Screw, 8 x 1/4, (4)
23	318310103	Panel, service
*	5303307980	Screw, 8-32 x 0.437, (4)
24	318310700	Bracket, mounting
46	318077243	Burner Box
52	318122006	Spring, element mtg, small
52B	318122010	Spring, element mtg, 1000W/2500W
159	318125158	Deflector
162	318161407	Deflector
163	318014110	Spacer, (6)
*	3131048	Screw, 8 x 5/8, (6)
171	318124912	Screen, thermal, (9)
* #	318078541	Box & wires assy
*	318199422	Harness, wiring, main
*	318083037	Harness, wiring, to transformer
*	318052533	Ground wire, w/terminal
*	5303323140	Screw, ground, 10-32 x 0.375
*	5303308449	Fastener, wire tie
*	5304400192	retainer wire
*	5304424462	Foam Tape, 1/2" x 14"
*	08016432	Screw, truss head, 8-18 x 0.375
*	5303211311	Screw, 8 x 0.500
*	5303311306	Screw, 8-18 x 0.375, (3)

WIRING DIAGRAM

