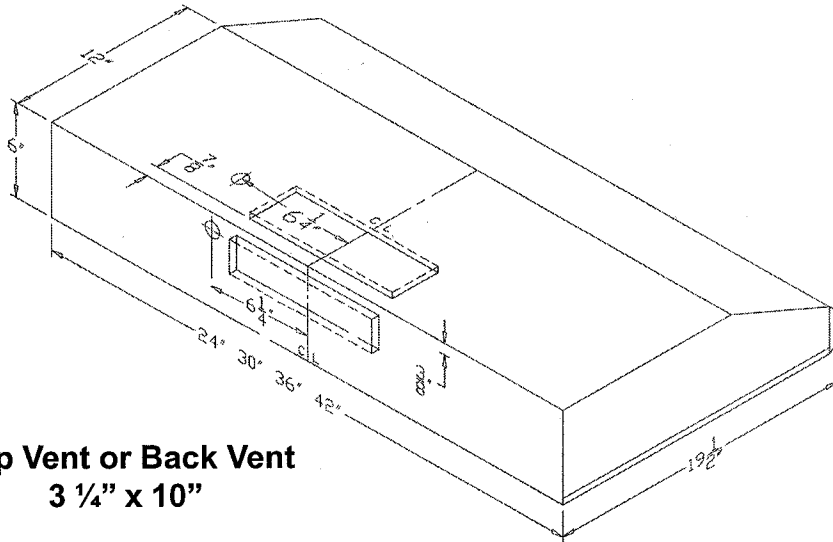


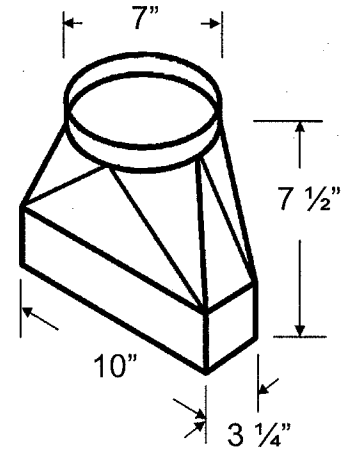
VentA Hood® UNDER CABINET RANGE HOOD SPECIFICATIONS

SLH6-K Halogen lights only. This model not available with heat lamps. This model only available in Black, Biscuit, Gunsmoke, Stainless Steel, or White. Custom sizes not available.



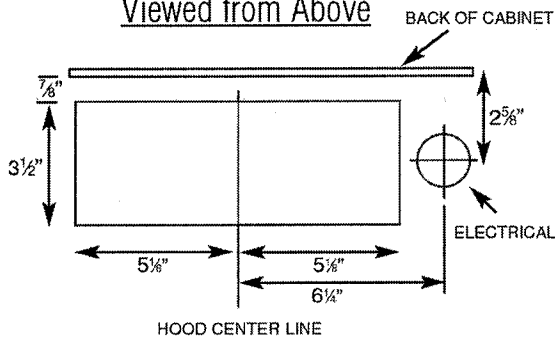
Top Vent or Back Vent
3 1/4" x 10"

The VP521 transition is available for top vent applications at an additional charge.

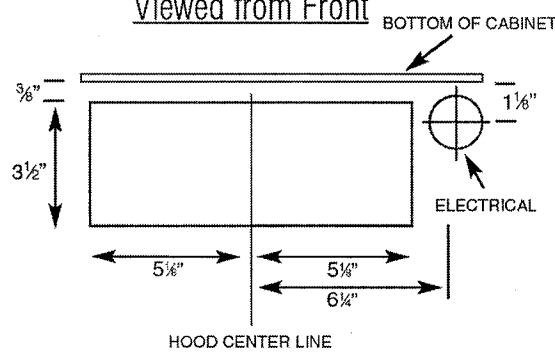


Connection Diagram

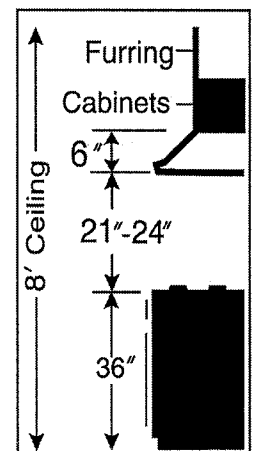
Cabinet Cutout for Vertical Ducting
Viewed from Above



Wall Cutout for Horizontal Ducting
Viewed from Front



Recommended Mounting Height*



*Exceeding recommended mounting height may compromise performance.

Electrical/Mechanical Specifications For K250 Blower

Application	Volts	Amps	HZ	RPM	Equivalent CFM	CFM SP@0.0"	CFM SP@0.1"	CFM SP@0.2"	CFM SP@0.3"
Top Vent High	115	3.2	60	1550	360	240	225	215	200
Top Vent Low	115	3.2	60	1200	255	170	170	160	155
Back Vent High	115	3.2	60	1550	330	220	215	195	180
Back Vent Low	115	3.2	60	1200	265	175	170	160	145

All hood sizes are equipped with two halogen lights. Equivalent CFM refers to the fact that the K Series blower uses a centrifugal filtration unit, whereas others use conventional filters. Apply this guideline when comparing blower units made by other manufacturers.

SPECIFICATIONS SUBJECT TO CHANGE WITHOUT NOTICE Rev. 04/07