

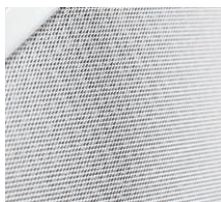
Wall-Mount Vent Hood

E36WV100FS designer series



Three-Speed, Dual-Centrifugal Blower

The 1,000 CFM fan provides ample power to remove the most persistent food and cooking aromas.



Washable Stainless Steel Filters

Saturated filters can be rinsed and cycled through the dishwasher. The stainless steel filter provides strength and durability not found in foam filters.



Dual Halogen Lighting

Two overhead halogen bulbs evenly illuminate the cooking surface and provide abundant light to enhance the cooking experience.



Intelligent Heat Sensor

The ventilation system that is designed to work in concert with your cooktop or range. As the cooking surface temperature increases, the blower fan automatically starts.

36" WALL-MOUNT VENT HOOD

Installation Type	Wall Mounted
-------------------	--------------

FEATURES

Intelligent Heat Sensor	Yes
Air Discharge	Vertical
Air Delivery (CFM)	1000
Blower Type	Dual Centrifugal
Controls	Std. Slide Controls
Fan Speeds	3
Halogen Lights	Yes
Washable Stainless Steel Filters	Yes
Exhaust Duct	External
Duct Required	8" Round

OPTIONAL ACCESSORIES

Flue Extension – 31-7/8" EXWV100S	Optional
-----------------------------------	----------

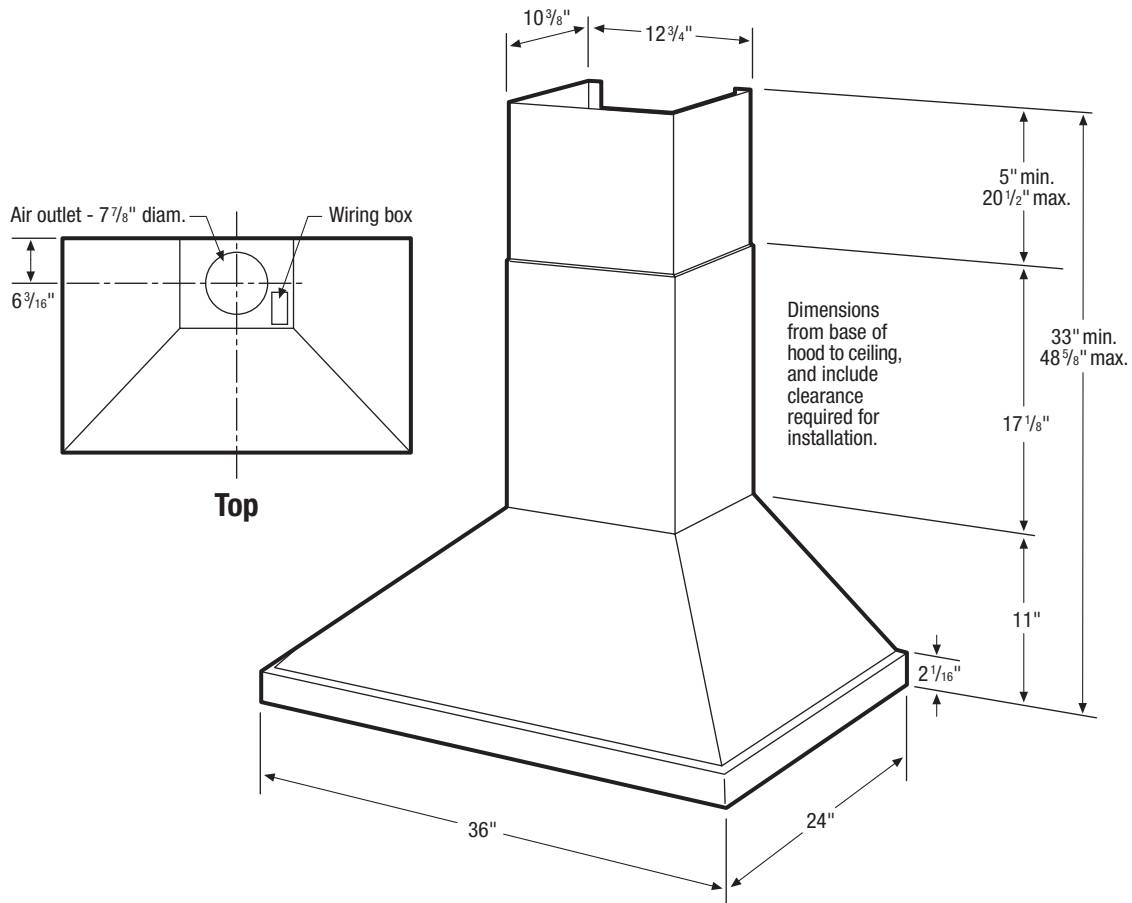
SPECIFICATIONS

Overall Exterior Dimensions –	
Height (With One Cover)	28-1/8" min.
(With Flue Extension)	33" min. 48-5/8" max.
Width	36"
Depth	24"
Voltage Rating	120V/60Hz/15A
Connected Load (kW Rating) @ 120 Volts [‡]	0.68
Power Supply Location (Within Flue Adjacent to Bottom of Air Outlet)	Enters Flue Top at Right
Product Weight	64 Lbs.
Shipping Weight	75 Lbs.
Sones Rating	10
UPC (0-12505-)	55797-2

[‡] For use on adequately wired 120V, dedicated circuit having 2-wire service with a separate ground wire. Appliance must be grounded for safe operation.

NOTE: Always consult local and/or national electric codes. Refer to Product Installation Guide for detailed installation instructions on the web at www.electroluxusa.com.

Specifications subject to change.



36" Wall-Mount Vent Hood Specifications

- Product Weight – 64 Lbs.
- Wall-Mount Installation
- Sones Rating – 10.0
- Voltage Rating – 120V/ 60Hz/ 15 Amps
- Connected Load (kW Rating) @ 120 Volts = 0.68kW
(For use on adequately wired 120V, dedicated circuit having 2-wire service with a separate ground wire. Appliance must be grounded for safe operation.)
- Amps @ 120 Volts = 6.26 Amps
- Always consult local and/or national electric codes. Check local building codes for installation requirements, as they may vary per locale.
- Vent unit outside of building only.
- Exhaust Duct Required – 8" round
- For most efficient airflow exhaust, use a straight run or as few elbows as possible.

- Use metallic flex ducting only to connect rigid duct directly to transitions (if allowed by code).
- Thermal breaks such as short section of nonmetallic duct, should be used in areas of extreme cold.
- Cold weather installations should have additional backdraft damper installed.
- For most efficient operation, position hood low to cooktop. Recommended installation is 30" -36" above countertop.

Note: For planning purposes only. Refer to Product Installation Guide on the web at electroluxusa.com for detailed instructions.

Optional Accessories

- 31-7/8" Flue Extension – (EXWV100S).