



Drop-In Ranges

FFED3015L W/B

30" Electric



Product Dimensions

| | |
|---------------------|-------------------|
| Height (Adjustable) | 26-1/2" - 26-5/8" |
| Width | 30" |
| Depth | 28-5/16" |

More Easy-To-Use Features

Quick Clean

For a quick, light oven cleaning.

Extra-Large Window

Our extra-large oven window lets you easily see what's inside.

Delay Start Baking Option

Delay Clean

Set the oven to begin cleaning on your schedule.

Hi/Lo Broil Option

Offers two-position broiling and variable temperature control for more control.

Auto Shut-Off

As an extra safety measure, the oven will automatically shut off after 12 hours.

Timed Cook Option

Electronic Kitchen Timer

Bright Lighting

Our bright lighting makes it easy to see what's inside.

A.D.A. Compliant¹

Sabbath Mode (Star-K® Certified)

Available in:



White
(W)



Black
(B)

Signature Features

Ready-Select™ Controls

Easily select options or control cooking temperature with our easy-to-use controls.

Large Capacity

Our large capacity oven gives you room to cook more at once.

One-Touch Self Clean

Start the self-cleaning cycle with just the touch of a button.

Even Baking Technology

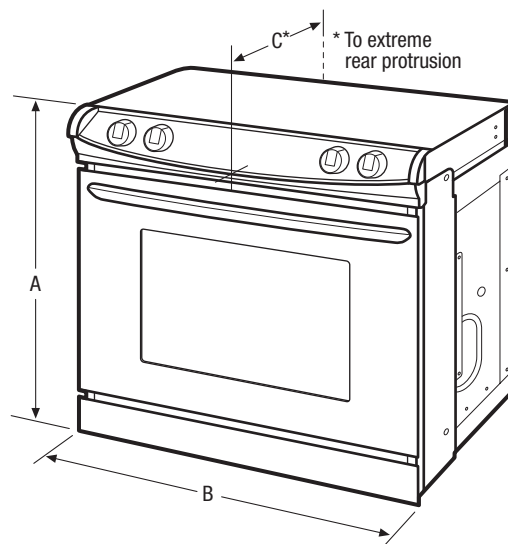
Our latest technology ensures even baking every time.

| Elements | Size | Watts |
|-------------|------|-------|
| Right Front | 8" | 2,600 |
| Right Rear | 6" | 1,500 |
| Left Front | 6" | 1,500 |
| Left Rear | 8" | 2,600 |

¹When properly installed, meets the appliance standards in the Americans with Disabilities Act and the Architectural Barriers Act Accessibility Guidelines as published by the United States Access Board on June 23, 2004, as amended August 5, 2005.

| | |
|--|--|
| Features | |
| Oven Control/Timing System | Ready-Select™ Controls |
| Surface Type | Color-Coordinated Porcelain |
| Window | Extra-Large |
| Exterior Door Finish | Color-Coordinated |
| Handle Design | Color-Coordinated |
| Exterior Finish (Side Panels) | Color-Coordinated |
| Convection System | |
| Oven Cleaning System | Self Clean |
| Drawer Functionality | |
| Oven Controls | |
| Bake | Yes |
| Broil | Low and High |
| Add-a-Minute | |
| Delay Bake | Yes |
| One-Touch Self Clean | 2, 3 Hours (Scroll Thru) |
| Quick Clean Option | Yes |
| Delay Clean | Yes |
| Kitchen Timer | Yes |
| Timed Cook Option | Yes |
| Auto Oven Shutoff | 12 Hours |
| Cooktop Features | |
| Right Front Element (Watts) | 8" - 2,600 |
| Right Rear Element (Watts) | 6" - 1,500 |
| Left Front Element (Watts) | 6" - 1,500 |
| Left Rear Element (Watts) | 8" - 2,600 |
| Center Element (Watts) | |
| Hot Surface Indicator Light | |
| Coil Cooktop/Drip Bowls | Yes/Chrome |
| Oven Features | |
| Capacity (Cu. Ft.) | 4.2 |
| Oven Light | 1 |
| Hidden Bake Element | |
| Rack Configuration | 2 Standard |
| Even Baking System | Yes |
| Broiling System | Vari-Broil™ Hi/Lo |
| Bake Element/Broil Element (Watts) | 2,750 / 3,400 |
| Optional Accessories | |
| Rear Filler Kit - White (W) / Black (B) | (W) PN # 901193-9011 (B) PN # 901193-9010 |
| Side Panel Kit - White (W) / Black (B) | |
| Backguard Kit - White (W) / Black (B) | (W) PN # 903046-9011 (B) PN # 903046-9010 |
| Side Trim Kit - White (W) / Black (B) | (W) PN # 903076-9011 (B) PN # 903076-9010 |
| Bottom Trim Kit - White (W) / Black (B) | (W) PN # 903068-9011 (B) PN # 903068-9010 |
| Certifications | |
| A.D.A. Compliant ¹ | Yes |
| Sabbath Mode (Star-K® Certified) | Yes |
| Specifications | |
| Oven Interior (H x W x D) | 16-1/2" x 24-1/8" x 18-1/32" |
| Power Supply Connection Location | Left Bottom Rear |
| Voltage Rating | 240V / 208V / 60Hz |
| Connected Load (kW Rating) @ 240 / 208 Volts | 11.6 / 8.7 |
| Amps @ 240 / 208 Volts | 43.7 / 41.8 |
| Minimum Circuit Required (Amps) | 40 |
| Shipping Weight (Approx.) | 145 Lbs. |

¹When properly installed, meets the appliance standards in the Americans with Disabilities Act and the Architectural Barriers Act Accessibility Guidelines as published by the United States Access Board on June 23, 2004, as amended August 5, 2005.



NOTE: For planning purposes only. Always consult local and national electric codes. Refer to Product Installation Guide for detailed installation instructions on the web at frigidaire.com.



| Product Dimensions | | Cutout Dimensions | |
|--------------------------|-------------------|-------------------|------------|
| A - Height (Adjustable) | 26-1/2" - 26-5/8" | Height (min.) | 29" |
| B - Width | 30" | Height (max.) | 29" |
| C - Depth | 28-5/16" | Width (min.) | 29-15/16" |
| Depth with Door Open 90° | 45-1/2" | Width (max.) | 30-1/16" * |
| | | Depth (min.) | 21-3/4" |
| | | Depth (max.) | 22-1/8" ** |

*Cutout and countertop cutout width should match.
**24" with optional backguard installed.

Accessories information available on the web at frigidaire.com

FRIGIDAIRE

USA • 10200 David Taylor Drive • Charlotte, NC 28262 • 1-800-FRIGIDAIRE • frigidaire.com
CANADA • 5855 Terry Fox Way • Mississauga, ON L5V 3E4 • 1-800-265-8352 • frigidaire.ca

FFED3015L 07/10

© 2010 Electrolux Home Products, Inc.

Specifications subject to change.
Printed in the U.S.A.