

PEM31SM

GE Profile™ 1.0 Cu. Ft. Countertop Microwave Oven

Dimensions and Installation Information (in inches)

Exterior Dimensions* (in inches)	
W x H x D	23-25/32 x 11-3/16 x 12-9/32

*Height includes feet. Depth does not include handle.

Built-In trim kit for 1.0 cu. ft. microwave ovens

For a custom built-in appearance, this kit allows built-in installation of the Spacemaker II microwave oven into a wall or cabinet alone, and is U. L. approved for installation over a GE single electric wall oven.

Accessory trim kit	"Z"	Max height	Trim kit
27" Deluxe	26-1/8"	16-3/4"	JX827SMSS

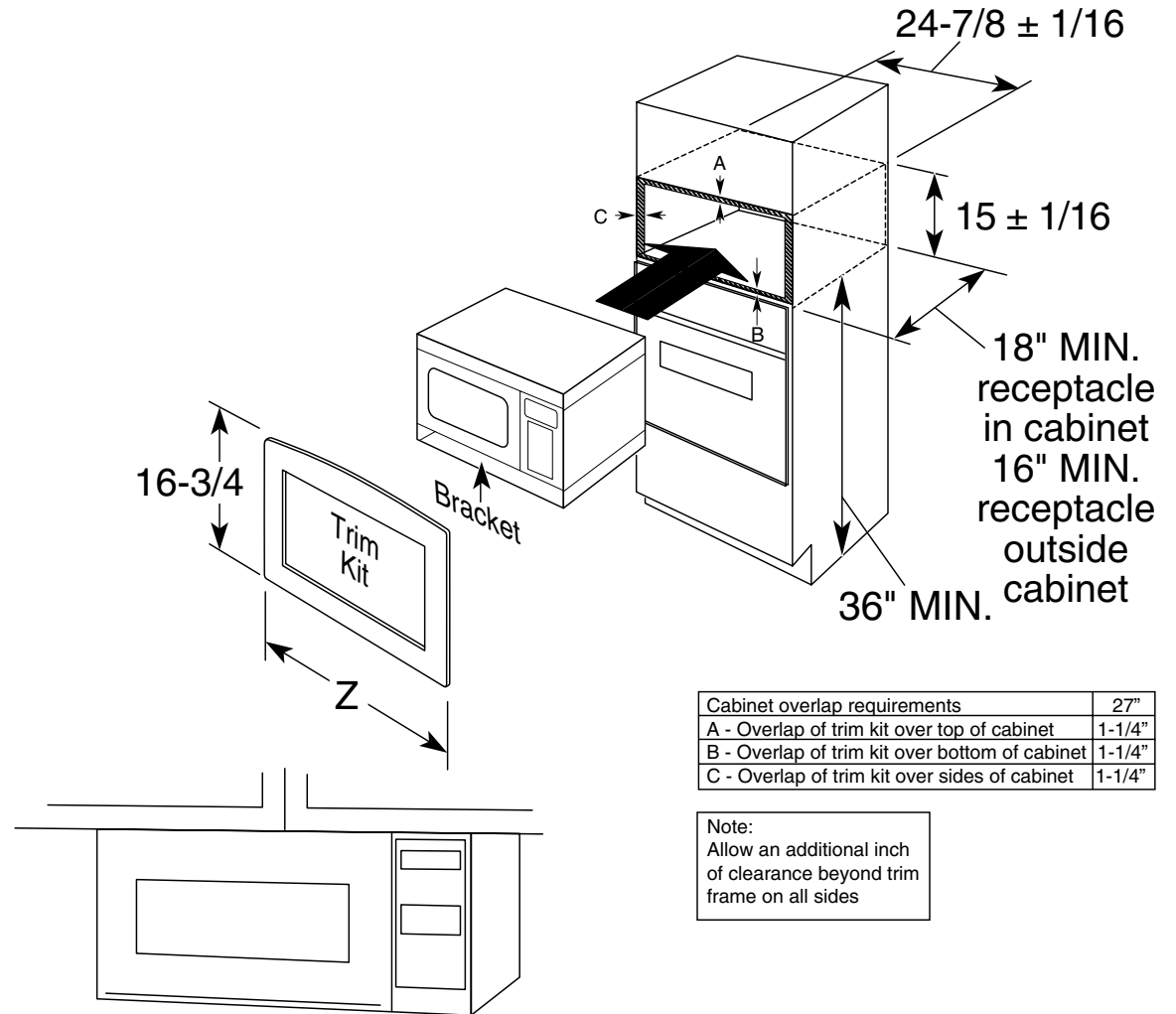
Installation Information: This information is not intended to be used for installing unit described. Before installing, consult installation instructions packed with product for current dimensional data.

Note: Undercabinet Installation

Install Spacemaker II microwave ovens in just a few easy steps with the mounting template, which provides all the necessary measurements. Installation may vary depending on cabinets. These microwave ovens can be installed on practically any wood or metal cabinets.

Note: 120V, 60-cycle, grounded power receptacle location optional on back within cabinet opening.

For answers to your Monogram®, GE Profile™ or GE® appliance questions, visit our website at ge.com or call GE Answer Center® service, 800.626.2000.



Cabinet overlap requirements		27"
A - Overlap of trim kit over top of cabinet		1-1/4"
B - Overlap of trim kit over bottom of cabinet		1-1/4"
C - Overlap of trim kit over sides of cabinet		1-1/4"

Note:
Allow an additional inch of clearance beyond trim frame on all sides

Not to be used over a thermal oven.
Undercabinet mounting kit Pub. No. 4-A019 for Spacemaker II microwave oven models available at additional cost.

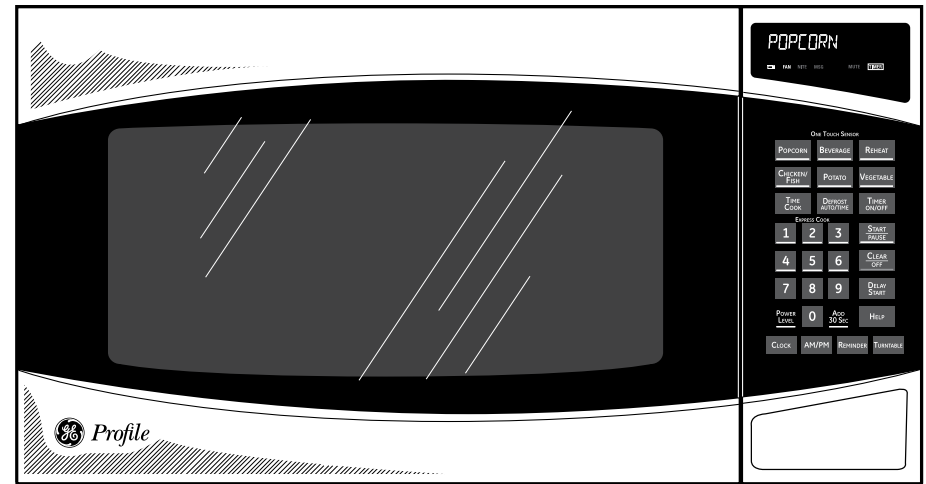


PEM31SM

GE Profile™ 1.0 Cu. Ft. Countertop Microwave Oven

Features and Benefits

- 1.0 Cu. Ft. Capacity - 800 Watts (IEC-705 test procedure)
- Sensor Cooking Controls - Automatically adjust the time and power for exceptional cooking results
- Optional Trim Kit - Offers a built-in appearance of a countertop model
- Optional Hanging Kit (Part No JXA019K) - Allows quick, easy undercabinet installation
- Auto and Time Defrost - Automatically defrosts for a specified amount of time
- Turntable On/Off - Ideal for oversized, oblong-shaped dishes
- Timer On/Off - Optional reminder signals when meals are done
- Child Lock Out - Enables you to lock the keypad to prevent the oven from being accidentally started
- Kitchen Timer - Operates as a minute timer and can be used at any time, even when the oven is operating
- Add 30 Seconds - Increases cooking times with one touch
- Electronic Touch Controls - Offer easy point-and-cook convenience
- Model PEM31SMSS – Stainless steel



For answers to your Monogram®, GE Profile™ or GE® appliance questions, visit our website at ge.com or call GE Answer Center® service, 800.626.2000.



imagination at work



Listed by
Underwriters
Laboratories