

PS968TP/DP

GE Profile™ 30" Slide-In Electric Range

Dimensions and Installation Information (in inches)

KW Rating	
240V	12.4
208V	9.3
Breaker Size	
240V	40 Amps
208V	40 Amps

Note: Cabinets installed adjacent to slide-in ranges must have an adhesion spec of at least 194° temperature rating.

Note: To reduce the possibility of scorching the side walls above the countertop when no load is present on burners, it is recommended that a minimum 6" spacing from adjacent side wall be allowed for possible extended high-heat element operation.

Receptacle Locations: For all 30" Slide-In Ranges locally approved flexible service cord or conduit must be used because terminals are not accessible after range installation. See shaded area in drawing for location of electrical outlet box. Recommended outlet locations allow range to be installed directly against rear wall.

Optional Kits For Slide-In Electric Ranges (Available At Additional Cost)

Accessory Backguards (Attaches to the back of range as a backguard when unit is installed in 30" free-standing cutout)

JXS32SS (Stainless) - 4" High
 JXS32WW (White) - 4" High
 JXS32BB (Black) - 4" High
 JXS37WW (White) - 5-1/4" High
 JXS37CC (Bisque) - 5-1/4" High
 JXS37BB (Black) - 5-1/4" High

Body Sides

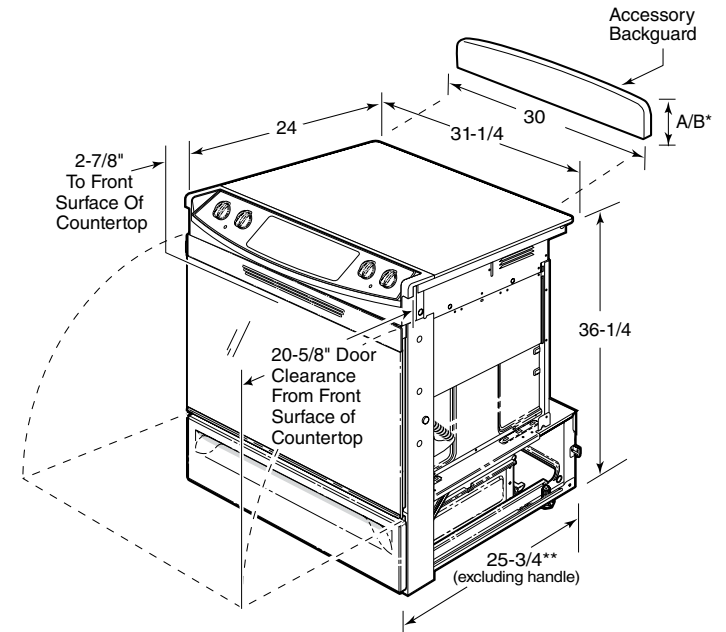
(Slide-in ranges are sold without sides installed. Can be installed on either left or right when unit has one exposed side [no cabinet adjacent]. Kit contains 1 body side)
 JXS77WW (White)
 JXS77BB (Black)

Rear Filler Strip

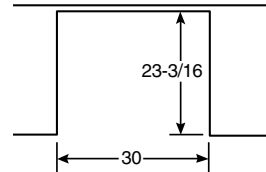
WB07T10680 - Black Filler Strip Assembly
 WB07T10681 - White Filler Strip Assembly
 WB07T10682 - Bisque Filler Strip Assembly

Optional Lower Trim Kits

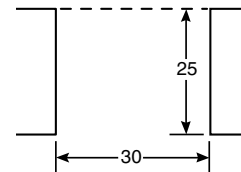
(If counter height is greater than 36.5", a lower trim kit is recommended to extend the useful height to 38" maximum)
 JXS56WW - White
 JXS56BB - Black



If you are NOT using the Filler strip or Backguard:

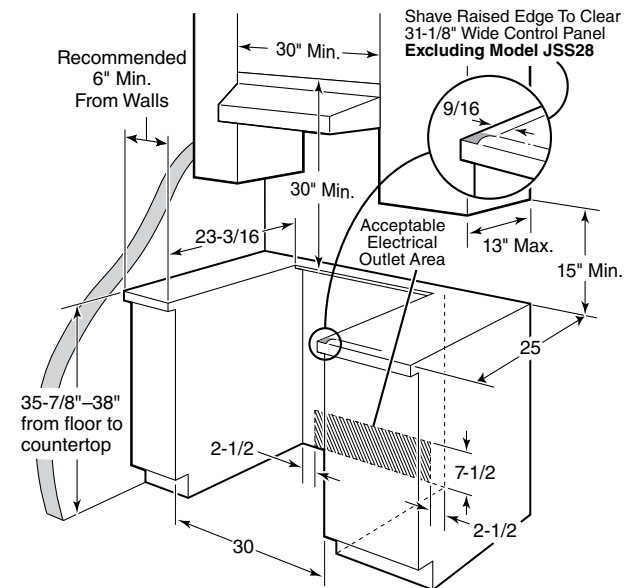


If you are using the Filler strip or Backguard:



Installation information: Before installing, consult installation instructions packed with product for current dimensional data.

For answers to your Monogram,® GE Profile™ or GE® appliance questions, visit our website at geappliances.com or call GE Answer Center® service, 800.626.2000.



All GE ranges are equipped with an Anti-Tip device. The installation of this device is an important, required step in the installation of the range.



Listed by Underwriters Laboratories



Specification Revised 1/12

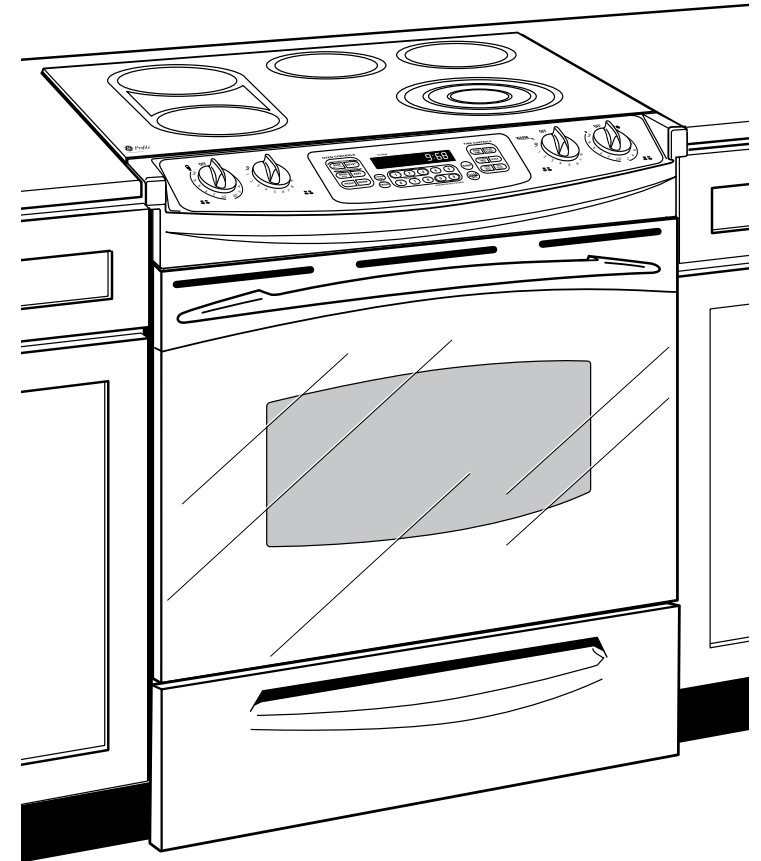
220445

PS968TP/DP

GE Profile™ 30" Slide-In Electric Range

Features and Benefits

- PreciseAir™ Convection System - A reversing fan circulates heat and air for evenly browned and baked foods
- Convection Bake - This setting is optimal for baking casseroles or lasagnas, yeast breads, pies and pizzas with no need to turn the pan
- Convection Roast - Optimal for larger cuts of meat, this setting rotates the heat around all sides, sealing in the juices, producing rotisserie results at up to 25% faster than a conventional oven
- Self-clean Oven - Self-clean allows you to spare yourself from the trouble and effort it takes to scrub the oven interior. The oven does all the work!
- 6"/9"/12" Tri-ring Element - Choose a 6"/9"/12" heating element to accommodate the size of your pan
- Bridge Element - Combines three cooktop elements into one large cooking area, ideal for griddles and gourmet pans
- Glass Touch Controls - Smooth controls are easy to use and add a sophisticated style to the kitchen
- Warming Zone (Fifth element warming zone) - Simplify meals by keeping foods fresh from the oven warm and ready to serve
- Extra-large Oven Capacity - Remarkably large oven interior is ideal for holidays, dinner parties and everyday family cooking
- Model PS968TPWW - True white (white door and true white cooktop)
- Model PS968TPCC - True bisque (bisque door and true bisque cooktop)
- Model PS968DPBB - Black on black (black door and black patterned cooktop)



imagination at work