



California Faucets®

Tel: 714-891-7797
Fax: 714-891-2478
Toll Free: 800-822-8855
www.calfaucets.com

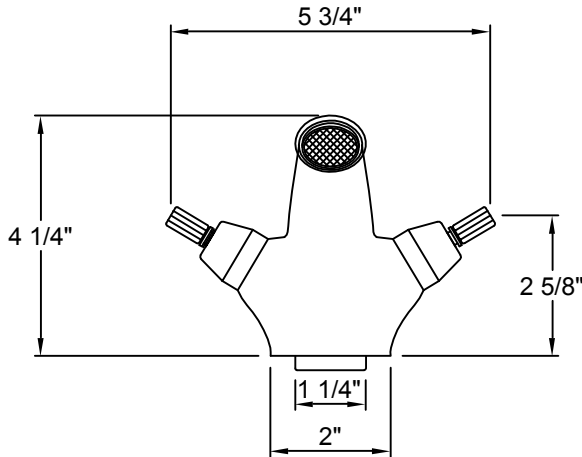
MONOBLOCK BIDET SPECS



All California Faucets lever and blade handle products are American Disability Act (ADA) compliant.

California Faucets reserves the right to make modification and specification changes at any time. Please verify dimensions prior to installation. Visit www.calfaucets.com for most current technical data.

Front View



Side View

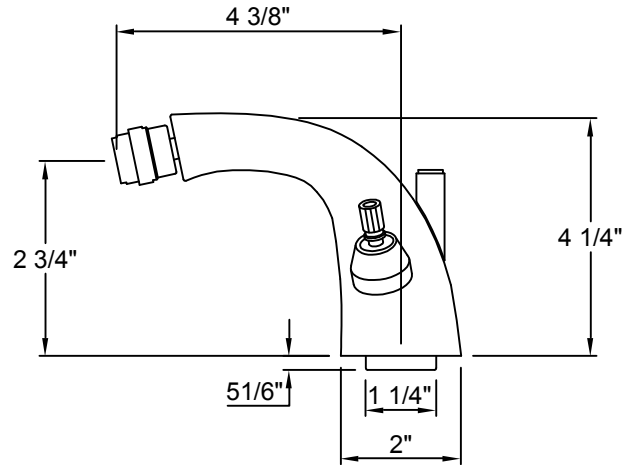


Fig. 1 Fig. 1 #34	Fig. 2 Fig. 2 #35	Fig. 3 Fig. 3 #36	Fig. 2 Fig. 4 #38 & #58
Fig. 5 Fig. 5 #40 & #55	Fig. 6 Fig. 6 #42, #52	Fig. 7 Fig. 7 #42-CR	Fig. 8 Fig. 8 #43, #60 & #61
Fig. 9 Fig. 9 #46	Fig. 10 Fig. 10 #47	Fig. 11 Fig. 11 #50	Fig. 12 Fig. 12 #53
Fig. 13 Fig. 13 #57	Fig. 14 Fig. 14 #59	Fig. 15 Fig. 15 #63	Fig. 16 Fig. 16 #64
Fig. 17 Fig. 17 #67	Fig. 18 Fig. 18 #68	Fig. 19 Fig. 19 #69	



California Faucets®

Tel: 714-891-7797
Fax: 714-891-2478
Toll Free: 800-822-8855
www.calfaucets.com

MONOBLOCK BIDET SPECS



All California Faucets lever and blade handle products are American Disability Act (ADA) compliant.

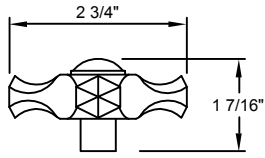


Fig. 17 **#63**

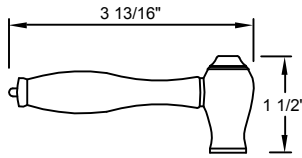


Fig. 18 **#64**

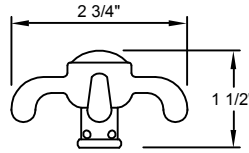


Fig. 19 **#67**

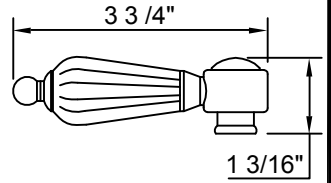


Fig. 20 **#68**

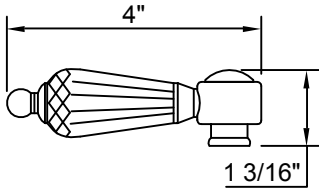


Fig. 21 **#69**