

JGB400SEP

GE® 30" Free-Standing Self-Clean Gas Range

Dimensions and Installation Information (in inches)

Note: Dimension from the wall to the front of the closed door handle is 29". Depth to front edge of cooktop 25-1/4".

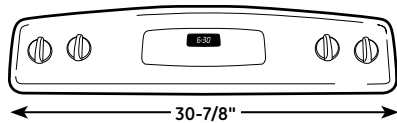
Optional Gas Range Accessory Drip Pans for Sealed and Standard Burner Models:

(Available at additional cost)

To order these accessory drip pans, call toll-free 800-626-2002.

Electrical Rating: 120V, 60Hz, 5A

Installation Information: Before installing, consult installation instructions packed with product for current dimensional data.



All 30" GE gas and electric range backguards are 30-7/8" wide.*

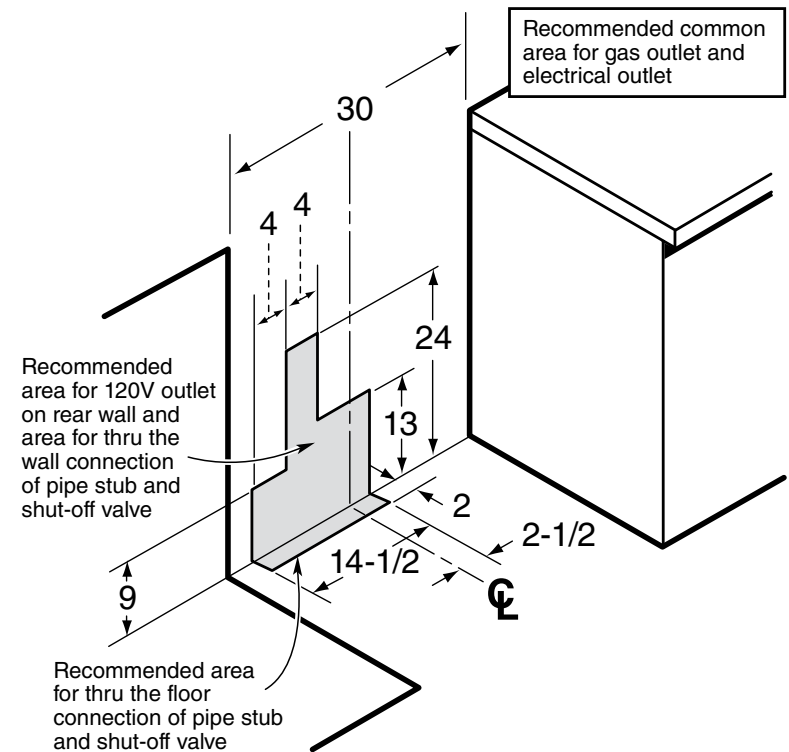
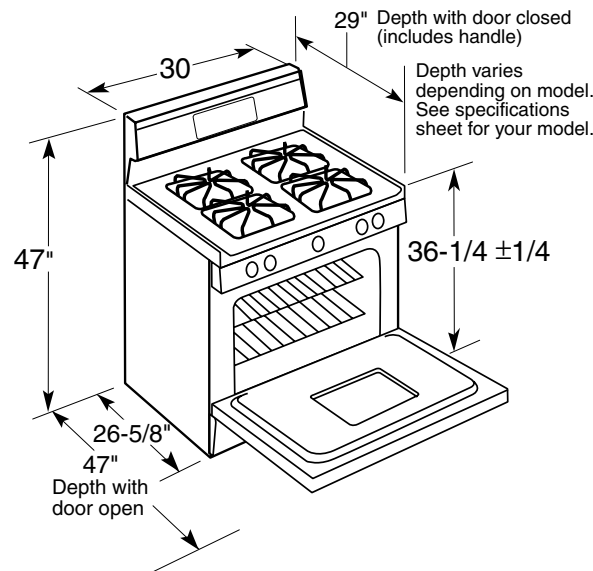
Note: 30" ranges conform to U.L. requirements for 0" spacing from adjacent walls below countertops. To reduce possible scorching of walls, engineering recommends a minimum of 1-1/2" spacing to allow for possible extended, high heat, no-load heating element operation.

*Except these models: JGBS07, JGBS04, all GE Profile free-standing electric and gas ranges
Fits most countertop backsplash applications.
Consult Use & Care Manual for detailed installation instructions.

For answers to your Monogram®, GE Profile™ or GE® appliance questions, visit our website at geappliances.com or call GE Answer Center® service, 800.626.2000.



imagination at work



All GE ranges are equipped with an Anti-Tip device. The installation of this device is an important, required step in the installation of the range.



JGB400SEP

GE® 30" Free-Standing Self-Clean Gas Range

Features and Benefits

- Self-clean Oven - Self-clean allows you to spare yourself from the trouble and effort it takes to scrub the oven interior. The oven does all the work!
- Super-large 5.0 cu. ft. Oven Capacity - Remarkably large oven interior is ideal for holidays, dinner parties and everyday family cooking
- Heavy-cast, Continuous Grates - Matte-finish cooktop grates provide a sturdy, uninterrupted surface that allows pots and pans to move easily
- Deep recessed cooktop - Deep recessed cooktop keeps spills, and everything else, contained in one area that's easy to wipe clean
- Center Round Burner - Round fifth burner allows for low, even heat distribution that is ideal for delicate foods and sauces
- PowerBoil™ 16.5K Burner - This powerful element instantly supplies the intense heat need for boiling, sautéing and stir frying
- Precise Simmer burner - Simmer burners allows for low, even heat distribution that is ideal delicate foods and sauces
- TrueTemp™ Oven System - This feature helps ensure the temperature you set is the temperature you get, with less variance, to give you the baking and broiling performance you desire
- QuickSet III Oven Controls - Feature an easy to use design which allows you to set precise cooking temperatures
- Big Hearth Window - Elegant shaped window makes it easy to monitor the progress of food
- Model JGB400SEPSS - Stainless steel with black accents



imagination at work