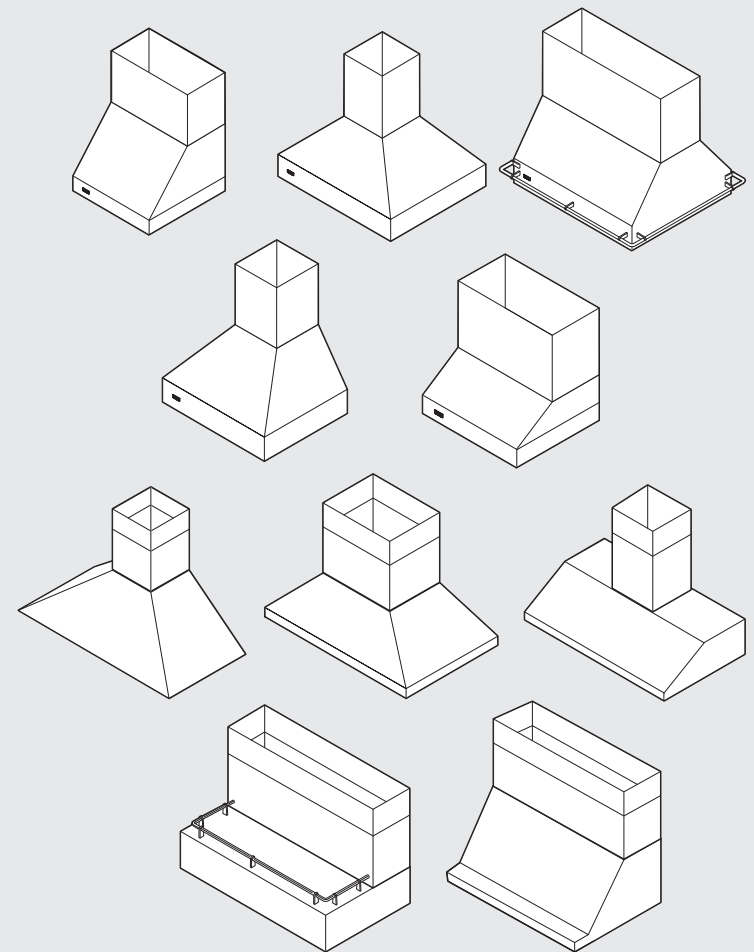


# Viking Use & Care Manual



Viking Range Corporation  
111 Front Street  
Greenwood, Mississippi 38930 USA  
(662) 455-1200

For product information  
call 1-888-VIKING1 (845-4641),  
or visit the Viking Web site at  
[vikingrange.com](http://vikingrange.com)



Professional & Designer Hoods

# Congratulations

Your purchase of a Viking hood attests to the importance you place upon the quality and performance of the major appliances you use. With minimal care, as outlined in this guide, your new hood is designed to provide you with years of reliable service. Please take a few minutes to learn about its proper and efficient use and care.

This guide will provide you with the information you need to become familiar with your hood's care and operation.

Your complete satisfaction is our ultimate goal. If you have any questions or comments about this product, please contact the dealer from whom you purchased it, or contact our Consumer Support Center at 1-888-VIKING1.

We appreciate your choosing a Viking Range Corporation product, and hope that you will again select our products for your other major appliance needs.

For more information about the complete and growing selection of Viking products, contact your dealer or visit us online at [vikingrange.com](http://vikingrange.com).

# Warnings

## **WARNING**

**To reduce the risk of fire, electric shock, or injury when using your unit, observe the following:**

- Installation work and electrical wiring must be done by qualified person(s) in accordance with all applicable codes and standards, including fire-rated construction.
- Sufficient air is needed for proper combustion and exhausting of gases through the flue (chimney) of fuel burning equipment to prevent back drafting. Follow the heating equipment manufacturer's guideline and safety standards such as those published by the National Fire Protection Association (NFPA), and the American Society for Heating, Refrigeration and Air Conditioning Engineers (ASHRAE), and the local code authorities.
- When cutting or drilling into wall or ceiling, do not damage electrical wiring and other hidden utilities.
- Ducted fans must always be vented to the outdoors.
- **WARNING!:** To reduce the risk of fire, use only metal ductwork.
- **CAUTION!:** To reduce risk of fire and to properly exhaust air, be sure to duct air outside. Do not vent exhaust air into spaces within walls or ceilings, or into attics, crawl spaces, or garages.

## **WARNING**

**To reduce the risk of fire, electric shock, or injury to persons, observe the following:**

- Use this unit only in the manner for which it is intended. If you have any questions, contact the manufacturer.
- Before servicing or cleaning unit, switch power off at service panel and lock service panel to prevent power from being switched on accidentally. When the service disconnecting means cannot be locked, securely fasten a prominent warning device, such as a tag, to the service panel.

## Warnings (cont.)

### **⚠ WARNING**

To reduce the risk of a rangetop grease fire:

- Never leave surface units unattended at high settings. Boil-overs cause smoking and greasy spillovers that may ignite. Heat oils slowly on low or medium settings.
- Always turn hood ON when cooking at high heat or when cooking flaming foods.
- Clean ventilating fans frequently. Grease should not be allowed to accumulate on fan or filters.
- Use proper pan size. Always use cookware appropriate for the size of the cooking area.

### **⚠ WARNING**

To reduce the risk of injury to persons in the event of a rangetop grease fire, observe the following: (Based on "Kitchen Firesafety Tips," published by NFPA.)

1. SMOTHER FLAMES with a close fitted lid, cookie sheet, or metal tray, then turn off the burner. BE CAREFUL TO PREVENT BURNS. If the flames do not go out immediately, EVACUATE AND CALL THE FIRE DEPARTMENT.
2. NEVER PICK UP A FLAMING PAN. You may be burned.
3. DO NOT USE WATER, including wet dishcloths or towels a violent steam explosion will result.
4. Use an extinguisher ONLY if
  - You know it is a Class ABC extinguisher, and you already know how to operate it.
  - The fire is small and contained in the area where it started.
  - The fire department is being called.
  - You can fight the fire with your back to an exit.

### **⚠ WARNING**

TO REDUCE THE RISK OF FIRE, ELECTRICAL SHOCK, OR INJURY TO PERSONS, RANGEHOODS MUST BE INSTALLED WITH THE VENTILATORS THAT ARE SPECIFIED ON THEIR CARTON INDICATING SUITABILITY WITH THIS MODEL. OTHER VENTILATORS CANNOT BE SUBSTITUTED.

## Warnings (cont.)

### **⚠ CAUTION**

For general ventilating use only. DO NOT use to exhaust hazardous or explosive materials and vapors.

### **⚠ CAUTION**

If the power to the hood is not disconnected during cleaning, the heat sensor thermostat can cause the blower to turn on.

### **⚠ CAUTION**

Unplug power cords from control panel before cleaning or servicing hood.

### **⚠ CAUTION**

DO NOT place flammable material on warming shelves when using heat lamps.

### **⚠ CAUTION**

All brass special ordered parts are coated with an epoxy coating. DO NOT use brass cleaners or abrasive cleansers on the brass option parts.

### **⚠ CAUTION**

Do not use a porcelain cleaner or rough abrasive cleaner.

# Table of Contents

## Getting Started

Before Using Hood _____	7
Features _____	7
Heat Sensor Thermostat _____	7

## Product Controls/Operation

Settings and Functions _____	8
Professional Hood Operation _____	8
Designer Hood Operation _____	9
DCH Model Operation _____	10
Using Outdoor Hood _____	10

## Product Care

Cleaning and Maintenance _____	11
Baffle Filters _____	11
Mesh Filters _____	13
Charcoal Filters _____	13
Hood Canopy _____	14
Enamel Finish _____	14
Stainless Steel Finish _____	14
Brass Parts _____	15
Ductless Venting Chamber _____	15
Light Bulbs _____	15
Service Information _____	16
Professional Hood Warranty _____	17
Designer Hood Warranty _____	18

# Before Using Hood

Although the hood is cleaned upon completion of the manufacturing process, you will probably need to clean your hood again after installation. Wipe the surface of the hood with a good household cleaner applied with a soft cloth, or stainless steel polish, depending on the finish of your hood. This will leave a protective finish on the hood.

## Features

### Heat Sensor Thermostat (Designer Hoods Only)

Your hood is equipped with a heat sensor thermostat. The thermostat will turn on or speed up the blower if it senses excessive heat above the cooking surface. When the sensor activates, the letters "HOT" will appear on the display. If the blower is OFF - the sensor turns the blower on to HIGH speed. If the blower is on at a lower speed setting - the sensor turns the blower up to HIGH speed. When the temperature level drops to normal, the blower will return to its original setting and the display will be cleared.

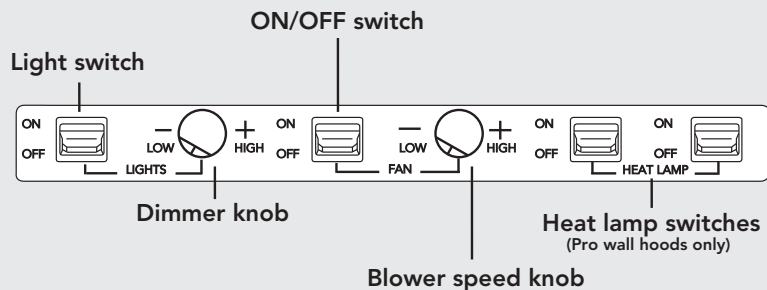
## ⚠ CAUTION

**If the power to the hood is not disconnected during cleaning, the heat sensor thermostat can cause the blower to turn on.**

# Settings and Functions

## Professional Hood Operation

Always turn on your hood before you begin cooking to establish airflow in the kitchen. Also, let the blower run for a few minutes to clear the air after you turn off your cooking appliance. This will help keep the kitchen air cleaner.



**ON/OFF switch**—Starts and stops the blower. When turned on the blower will operate at the previous setting of the speed control.

**Blower speed knob**—Turn the knob counterclockwise to decrease the blower speed and clockwise to increase speed. The type of cooking you are doing will dictate the speed of the blower you use.

**Light switch**—Controls the 50-watt halogen lights located in the front of the hood.

**Dimmer knob**—Turn the knob clockwise to brighten the halogen lights and counterclockwise to dim the lights.

**Heat lamp switches**—Turn the heat lamps on and off.

Each professional wall hood will be equipped with one or two heat lamp outlets. **The 250-watt infrared bulbs are not included and should be purchased locally.**

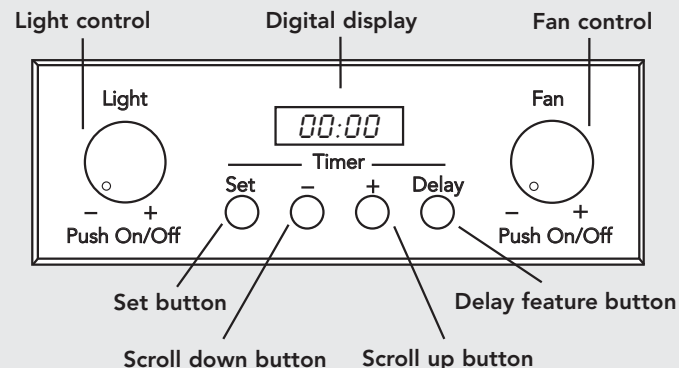
### ⚠ CAUTION

**DO NOT place flammable material on warming shelves when using heat lamps.**

# Settings and Functions

## Designer Hood Operation

Always turn on your hood before you begin cooking to establish airflow in the kitchen. Also, let the blower run for a few minutes to clear the air after you turn off your cooking appliance. This will help keep the kitchen air cleaner.



**Light knob**—Push once to turn lights on. Push again to turn lights off. Rotate clockwise to increase light intensity and counterclockwise to decrease light intensity. Light setting will stay the same when turned on or off.

**Fan knob**—Push once to turn blower on. Push again to turn blower off. Rotate clockwise to increase blower speed and counterclockwise to decrease blower speed.

**Digital display**—Remains blank while timer/delay functions are not in use. Displays desired set time which is set by either the set button or delay function button. Upon reaching 00:00, the buzzer will sound and will continue to beep every 10 seconds up to 5 minutes.

**Delay feature button**—Pushing this button once will automatically set the digital display to 10 minutes. Pushing again will go to 20 minutes and so forth, up to 30 minutes. The blower will activate and the timer will start counting down until 00:00 is reached. At this time the display will go blank and blower will cut off.

**Scroll up button**—Changes timer display upward to 12 hours.

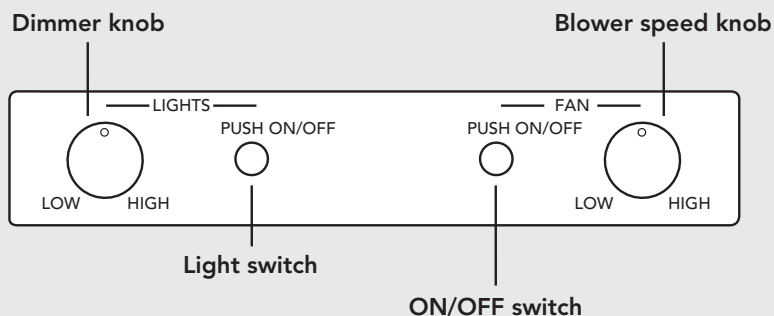
**Scroll down button**—Changes timer display downward to 00:00.

**Set button**—Pushing once will activate display (00:00) and allow you to enter time using the scroll up or scroll down buttons. The blower cannot be activated using the set button. Only the timer will be activated. Upon reaching 00:00, the buzzer will sound and will continue to beep every 10 seconds up to 5 minutes.

# Settings and Functions

## DCH Model Operation

Always turn on your hood before you begin cooking to establish airflow in the kitchen. Also let the blower run for a few minutes to clear the air after you turn off your cooking appliance. This will help keep the kitchen air cleaner.



**ON/OFF switch**—Starts and stops the blower. When turned on the blower will operate at the previous setting of the speed control.

**Blower speed knob**—Turn counterclockwise to decrease the blower speed and clockwise to increase the speed. The type of cooking you are doing will dictate the speed of the blower you use.

**Light switch**—Controls the 50-watt halogen lights located in the front of the hood.

**Dimmer knob**—Turn the knob clockwise to brighten the lights and counterclockwise to dim.

## Using Outdoor Hood (Approved Models Only)

- **Outdoor-approved hood models should be installed in a covered yet non-enclosed area.** They should also be protected from natural elements (such as rain) as much as possible.
- Always turn the outdoor hood on to the "HIGH" position before lighting the grill.
- Keep the grill canopy closed as much as possible when cooking so smoke is exhausted from the back of the grill. This allows for optimum performance of the hood.
- During breezy conditions, outdoor hoods may not perform well.

# Cleaning and Maintenance

## ⚠ CAUTION

Unplug power cords from control panel before cleaning or servicing hood.

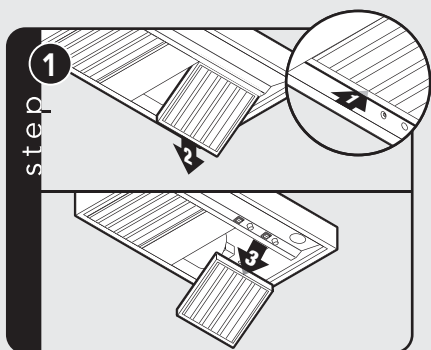
Any piece of equipment works better and lasts longer when maintained properly and kept clean. Ventilation equipment is no exception. Your hood must be kept clean and maintained properly.

## Cleaning Baffle Filters

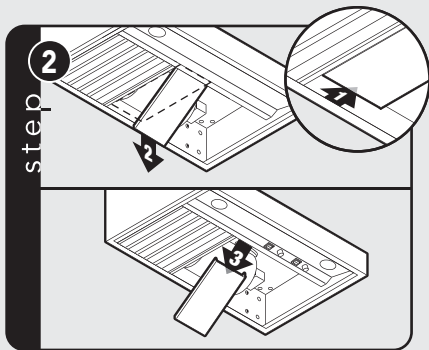
As air passes through a baffle filter, grease particles collect on the stainless steel U-shaped baffle channels and drip down into the bottom of the filter. Baffle filters are extremely efficient when compared to mesh filters. The power of the hood is increased as more air passes through a baffle filter than with mesh filters, which are usually dirty. Baffle filters are almost universally required in commercial installations due to their superior ability to capture grease. The baffle filters should be examined periodically to assure that all surfaces and parts are clean. The filters can be washed in a dishwasher or in a sink with hot, soapy water. Simple periodic cleaning will ensure maximum filter effectiveness.

- Do not use caustic detergent to clean the filters. An abrasive or corrosive cleaner may damage the finish.
- Do not take the baffle filters apart to clean them. It is not necessary and will void the filter warranty.

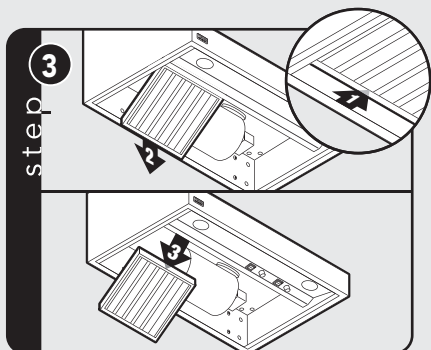
# Cleaning and Maintenance



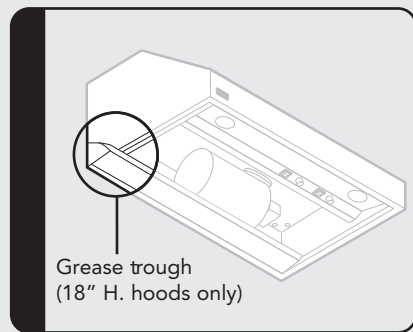
Slide filter forward off of rear lip. Lower filter rear, then slide filter front out.



Slide spacer forward off of rear lip. Lower spacer rear, then slide spacer front out.



Slide filter forward off of rear lip. Lower filter rear, then slide filter front out.



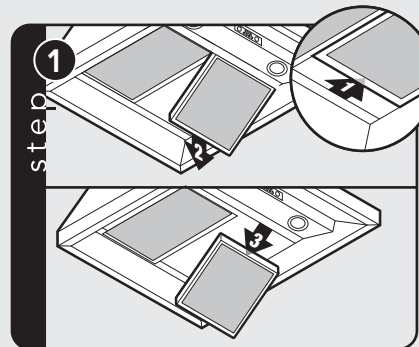
When cleaning filters in 18"H. hoods, always remove the grease trough and clean by soaking in a sink with hot soapy water.

# Cleaning and Maintenance

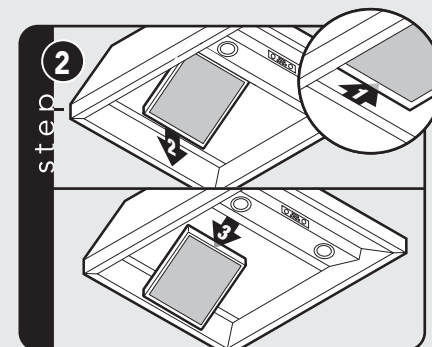
## Cleaning Mesh Filters

As air passes through the filter, grease particles collect on the stainless steel screen inside the filter. The filters should be examined periodically to assure that all surfaces and parts are clean. This unit is equipped with an alarm. Once the unit has been in operation for 48 hours, the letters "FILT" will appear on the display. The filters can then be washed in a dishwasher or in a sink with hot, soapy water. Simple periodic cleaning will ensure maximum effectiveness. Do not use caustic detergent to clean the filters. An abrasive or corrosive cleaner may damage the finish. Do not take the filters apart to clean them. It is not necessary and will void the filter warranty. Once the filters have been cleaned and placed back in the hood, the display is canceled by holding the scroll up (+) and the scroll down (-) buttons for 5 seconds.

**⚠ CAUTION**  
 For general ventilating use only. DO NOT use to exhaust hazardous or explosive materials and vapors.



Slide filter front over front lip. Push filter rear up, then slide back over rear lip.

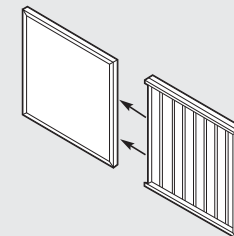


Slide filter front over front lip. Push filter rear up, then slide back over rear lip.

## Maintaining Charcoal Filter (Recirculating Hoods Only)

Replace the charcoal filters every 6 months to 1 year depending on the amount and type of cooking you do.

To replace, remove the baffle/charcoal filter assembly and slide the charcoal filter out of the channel and replace with a new one. Do not put the charcoal filters in the dishwasher.



Replacement filters are available through your local Viking Range dealer, or you can call the Viking Online Store at 1-877-834-8222 or visit [vikingrange.com](http://vikingrange.com)

# Cleaning and Maintenance

## Cleaning Hood Canopy

Finishes in enamel or stainless steel are highly resistant to damage or discoloration due to grease, steam, and heat—provided that reasonable care is given to the equipment. The following suggestions will help keep your hood looking new.

1. Do not allow an excessive accumulation of grease. For best results, you should wipe your hood clean with a cloth dipped in warm, soapy water. **DO NOT USE ABRASIVE CLEANSERS, STEEL WOOL PADS, OR ABRASIVE CLOTHS.** DO NOT use cleansers that contain chlorides; the chlorides in the cleaner could damage the stainless steel finish. If you need to scrape stainless steel to remove encrusted materials, first soak the area with hot towels to loosen the material, then use a wooden or nylon spatula or scraper. **DO NOT** use a metal knife, spatula, or any other metal tool to scrape stainless steel.
2. Every 3 months give your hood a thorough cleaning. On painted surfaces, use a new coat of wax. A good wax cleaner—available at either a grocery or hardware store—will do both jobs at once. On stainless steel surfaces, use a good stainless steel cleaner and polish.

## Renewing Enamel Finish

If discoloration occurs, you should thoroughly polish the finish on your hood to renew its gloss and luster and to remove any grease residue which may have a yellowing effect. Use any good enamel polish, refrigerator polish, or automotive polish.

### ⚠ CAUTION

Do not use a porcelain cleaner or rough abrasive cleaner.

## Renewing Stainless Steel Finish

Regular cleaning is the best way to assure that your stainless steel finish stays bright and unscratched. Use lemon oil or stainless steel polish to coat and protect stainless steel.

### ⚠ CAUTION

All brass special ordered parts are coated with an epoxy coating. **DO NOT** use brass cleaners or abrasive cleansers on the brass option parts.

# Cleaning and Maintenance

## Cleaning Brass Parts

All brass body parts should be wiped regularly with hot soapy water. When hot soapy water will not do the job, use every day household cleaners that are not abrasive.

## Cleaning Ductless Venting Chamber (Professional Hoods Only)

1. Remove the middle vent by gently raising up and pulling out.
2. Use the same cleaning directions as in "Cleaning the Hood Canopy" section.
3. After cleaning, replace the middle vent.

## Replacing the Light Bulbs

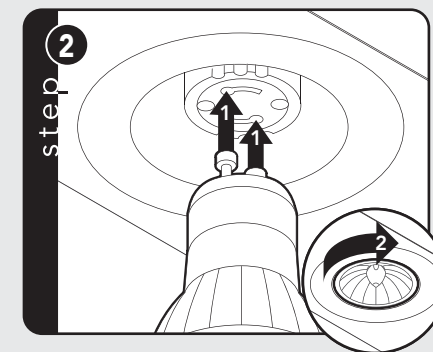
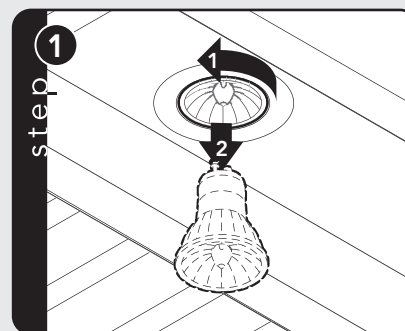
When removing bulbs use an oven mitt to protect your hand in case the bulb breaks.

### Halogen Lights

1. Unscrew halogen bulb.
2. Replace the bulb with a 120 volt, 50-watt halogen bulb.

### Infrared Heat Lamp

1. Unscrew infrared bulb from heat lamp socket.
2. Replace the bulb with an R40, 120 volt, 250-watt infrared bulb.





# Service Information

If your hood should fail to operate, check to see if the circuit breaker is open, or if a fuse is blown.

If service is required

1. Call your dealer or authorized service agency. You can get the name of the authorized service agency from the dealer or distributor in your area.
2. Have the following information readily available.
  - a. Model number
  - b. Serial number
  - c. Date purchased
  - d. Name of dealer from whom purchased.
3. Clearly describe the problem you're having.

If you are unable to obtain the name of an authorized service agency, or if you continue to have service problems, contact Viking Preferred Service at (888) 845-4641 or write to

**VIKING PREFERRED SERVICE**  
111 Front Street  
Greenwood, Mississippi 38930 USA

**Record the information indicated below. You will need it if service is ever required.** The model and serial number for your hood is located behind the baffle filter on the left side panel in the lower right corner.

Model number \_\_\_\_\_ Serial number \_\_\_\_\_

Date of purchase \_\_\_\_\_ Date installed \_\_\_\_\_

Dealer's name \_\_\_\_\_

Address \_\_\_\_\_

If service requires installation of parts, use only authorized parts to ensure protection under the warranty.

THIS MANUAL SHOULD REMAIN WITH THE HOOD FOR FUTURE REFERENCE.

# Professional Hood Warranty

## ONE YEAR FULL WARRANTY

Built-in hoods/ventilators and all of their component parts, except as detailed below\*, are warranted to be free from defective materials or workmanship in normal household use for a period of twelve (12) months from the date of purchase. **NOTE:** Viking Range ventilator kits are designed specifically for use with Viking Range hoods. Use of any non-Viking Range ventilator kits **VOIDS** the hood warranty. Viking Range Corporation, warrantor, agrees to repair or replace, at its option, any part which fails or is found to be defective during the warranty period. The Viking warranty does not cover any additional ventilation products used in conjunction with Viking hoods or ventilator kits. This includes, but is not limited to, such devices as booster fans or in-line blowers. Any malfunction caused to Viking ventilation products as a direct result of the use of such equipment is not covered under the Viking warranty.

\*Glass (including light bulbs), painted, and decorative items are warranted to be free from defective materials or workmanship for a period of ninety (90) days from the date of original retail purchase. ANY DEFECTS MUST BE REPORTED TO THE SELLING DEALER WITHIN NINETY (90) DAYS FROM DATE OF ORIGINAL RETAIL PURCHASE.

Viking Range Corporation uses the most up-to-date processes and best materials available to produce all color finishes. However, slight color variation may be noticed because of the inherent differences in painted parts and porcelain parts as well as differences in kitchen lighting, product locations, and other factors.

## FIVE YEAR LIMITED WARRANTY

Any hood blower motor which fails due to defective materials or workmanship in normal household use during the second year through the fifth year from the date of original retail purchase will be repaired or replaced, free of charge for the part itself, with the owner paying all other costs, including labor.

## NINETY (90) DAY RESIDENTIAL PLUS WARRANTY

This warranty applies to applications where use of the product extends beyond normal residential use. Examples are, but not limited to, bed and breakfasts, fire stations, private clubs, churches, etc. This warranty excludes all commercial locations such as restaurants, food service locations and institutional food service locations.

## LIFETIME LIMITED WARRANTY (Outdoor Models Only)

Any stainless steel part which rusts through due to defective materials or workmanship in normal use during the second year through the useful lifetime of the unit from date of original retail purchase will be repaired or replaced free of charge for the part itself, with the owner paying all other costs including labor.

This warranty extends to the original purchaser of the product warranted hereunder and to each transferee owner of the product during the term of warranty.

This warranty shall apply to products purchased and located in the United States and Canada. Products must be purchased in the country where service is requested. Warranty labor shall be performed by an authorized Viking Range Corporation service agency or representative. Warranty shall not apply to damage resulting from abuse, accident, natural disaster, loss of electrical power to the product by anyone other than an authorized Viking Range Corporation service agency or representative. This warranty does not apply to commercial usage. Warrantor is not responsible for consequential or incidental damage whether arising out of breach of warranty, breach of contract, or otherwise. Some jurisdictions do not allow the exclusion or limitation of incidental or consequential damages, so the above limitation or exclusion may not apply to you.

Owner shall be responsible for proper installation, providing normal care and maintenance, providing proof of purchase upon request, and making the appliance reasonably accessible for service. If the product or one of its component parts contains a defect or malfunction during the warranty period, after a reasonable number of attempts by the warrantor to remedy the defects or malfunctions, the owner is entitled to either a refund or replacement of the product or its component part or parts. Replacement of a component part includes its free installation. Warrantor's liability on any claim of any kind, with respect to the goods or services covered hereunder, shall in no case exceed the price of the goods or service or part thereof which gives rise to the claim.

**WARRANTY SERVICE:** Under the terms of this warranty, service must be performed by a factory authorized Viking Range Corporation service agent or representative. Service will be provided during normal business hours, and labor performed at overtime or premium rates shall not be covered by this warranty. To obtain warranty service, contact the dealer from whom the product was purchased, an authorized Viking Range Corporation service agency, or Viking Range Corporation. Provide model and service number and date of original purchase. For the name of your nearest authorized Viking Range Corporation service agency, call the dealer from whom the product was purchased or Viking Range Corporation. **IMPORTANT:** Retain proof of original purchase to establish warranty period.

The return of the Owner Registration Card is not a condition of warranty coverage. You, however, should return the Owner Registration Card so that Viking Range Corporation can contact you should any question of safety arise which could affect you.

Any implied warranties of merchantability and fitness applicable to the above described hood or ventilator motors are limited in duration to the period of coverage of the applicable express written limited warranties set forth above. Some jurisdictions do not allow limitations on how long an implied warranty lasts, so the above limitation may not apply to you. This warranty gives you specific legal rights, and you may also have other rights which may vary from jurisdiction to jurisdiction.

VIKING RANGE CORPORATION  
111 Front Street • Greenwood, Mississippi 38930 USA • (662) 455-1200

# Designer Hood Warranty

## ONE YEAR FULL WARRANTY

Built-in hoods/ventilators and all of their component parts, except as detailed below\*, are warranted to be free from defective materials or workmanship in normal household use for a period of twelve (12) months from the date of purchase. **NOTE:** Viking Range ventilator kits are designed specifically for use with Viking Range hoods. Use of any non-Viking Range ventilator kits **VOIDS** the hood warranty. Viking Range Corporation, warrantor, agrees to repair or replace, at its option, any part which fails or is found to be defective during the warranty period.

\*Glass (including light bulbs), painted, and decorative items are warranted to be free from defective materials or workmanship for a period of ninety (90) days from the date of original retail purchase. ANY DEFECTS MUST BE REPORTED TO THE SELLING DEALER WITHIN NINETY (90) DAYS FROM DATE OF ORIGINAL RETAIL PURCHASE.

Viking Range Corporation uses the most up-to-date processes and best materials available to produce all color finishes. However, slight color variation may be noticed because of the inherent differences in painted parts and porcelain parts as well as differences in kitchen lighting, product locations, and other factors.

## FIVE YEAR LIMITED WARRANTY

Any hood blower motor which fails due to defective materials or workmanship in normal household use during the second year through the fifth year from the date of original retail purchase will be repaired or replaced, free of charge for the part itself, with the owner paying all other costs, including labor.

This warranty extends to the original purchaser of the product warranted hereunder and to each transferee owner of the product during the term of warranty.

This warranty shall apply to products purchased and located in the United States and Canada. Products must be purchased in the country where service is requested. Warranty labor shall be performed by an authorized Viking Range Corporation service agency or representative. Warranty shall not apply to damage resulting from abuse, accident, natural disaster, loss of electrical power to the product by anyone other than an authorized Viking Range Corporation service agency or representative. This warranty does not apply to commercial usage. Warrantor is not responsible for consequential or incidental damage whether arising out of breach of warranty, breach of contract, or otherwise. Some jurisdictions do not allow the exclusion or limitation of incidental or consequential damages, so the above limitation or exclusion may not apply to you.

Owner shall be responsible for proper installation, providing normal care and maintenance, providing proof of purchase upon request, and making the appliance reasonably accessible for service. If the product or one of its component parts contains a defect or malfunction during the warranty period, after a reasonable number of attempts by the warrantor to remedy the defects or malfunctions, the owner is entitled to either a refund or replacement of the product or its component part or parts. Replacement of a component part includes its free installation. Warrantor's liability on any claim of any kind, with respect to the goods or services covered hereunder, shall in no case exceed the price of the goods or service or part thereof which gives rise to the claim.

**WARRANTY SERVICE:** Under the terms of this warranty, service must be performed by a factory authorized Viking Range Corporation service agent or representative. Service will be provided during normal business hours, and labor performed at overtime or premium rates shall not be covered by this warranty. To obtain warranty service, contact the dealer from whom the product was purchased, an authorized Viking Range Corporation service agency, or Viking Range Corporation. Provide model and service number and date of original purchase. For the name of your nearest authorized Viking Range Corporation service agency, call the dealer from whom the product was purchased or Viking Range Corporation. **IMPORTANT:** Retain proof of original purchase to establish warranty period.

The return of the Owner Registration Card is not a condition of warranty coverage. You, however, should return the Owner Registration Card so that Viking Range Corporation can contact you should any question of safety arise which could affect you.

Any implied warranties of merchantability and fitness applicable to the above described hood or ventilator motors are limited in duration to the period of coverage of the applicable express written limited warranties set forth above. Some jurisdictions do not allow limitations on how long an implied warranty lasts, so the above limitation may not apply to you. This warranty gives you specific legal rights, and you may also have other rights which may vary from jurisdiction to jurisdiction.