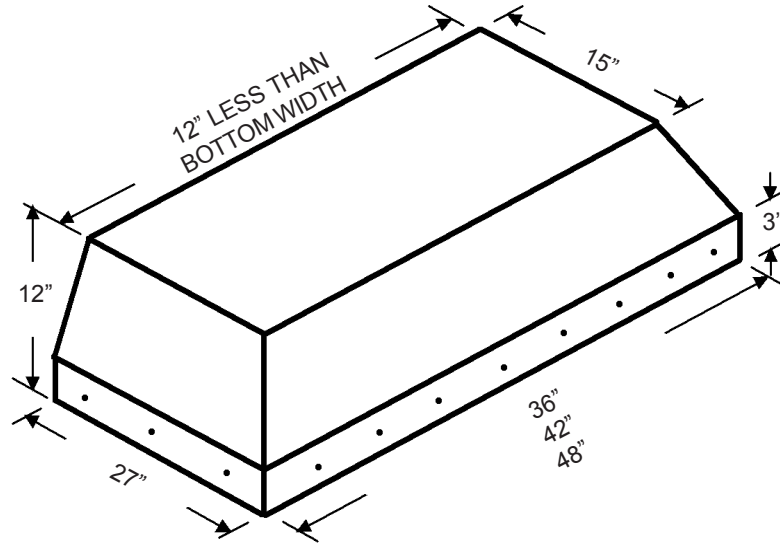
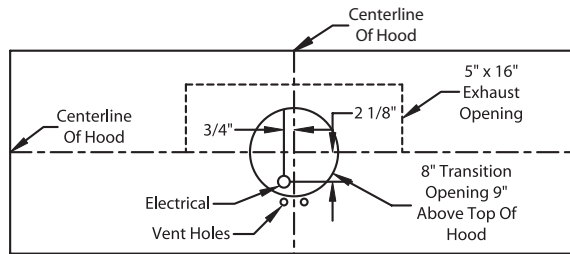


VentA Hood® ISLAND LINER INSERT SPECIFICATIONS

TSLE/THSLE "H" in part number indicates halogen lighting. This model not available with heat lamps.

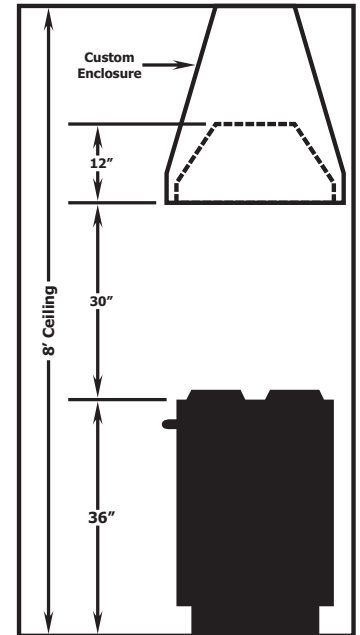


Connection Diagram (36", 42", 48" Widths)

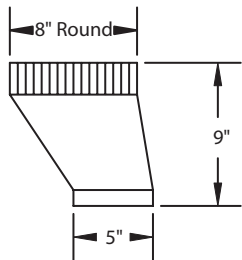


**600 CFM T200 Dual Blower
(Top View)**

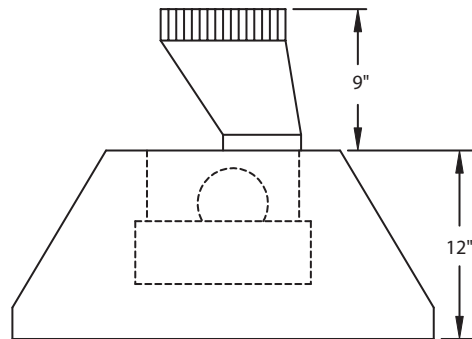
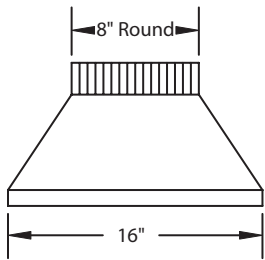
Recommended Mounting Height*



*Exceeding recommended mounting height may compromise performance.



**VP565 Standard Transition
(Included)**



**Transition Installed
(Side View)**

Electrical/Mechanical Specifications For Blower Units

Model	Volts	Amps ¹	RPM	CFM SP@0.0 ²	Equivalent CFM [#]	CFM SP@0.1 ²	CFM SP@0.2 ²	CFM SP@0.3 ²	Minimum Round Duct Size	Square Inches
T200 Island Dual	115	3.4	1550	600	900	572	540	480	8" (or equivalent)	50

¹Note: Add 2.5 amps for each warming light and 0.5 amp for each halogen light.

[#]Because the Magic Lung[™] uses centrifugal filtration rather than conventional baffle or mesh filters, the Magic Lung[™] blower can handle cooking equipment with higher cubic feet per minute (CFM) requirements and can deliver equivalent CFM much more efficiently than other filtration systems. When comparing the Magic Lung[™] with other blower units made by other manufacturers, use the "Equivalent CFM".