

**PRODUCT MODEL NUMBERS**

WGD9200S    WGD9400S    WGD9500T  
 WGD9300V    WGD9400V    WGD9600T

**REQUIREMENTS**

**Electrical:** A 4-wire, single-phase, 120/240-volt, 60-Hz, AC-only electrical supply on a separate 30-amp circuit, fused on both sides of the line is required. A time-delay fuse or circuit breaker is recommended. Connect to an individual branch circuit.

**Exhaust venting:** Exhaust your dryer to the outside. 4" (10.16 cm) diameter vent is required. Rigid or flexible heavy metal exhaust vent must be used. The total length of flexible metal vent should not exceed 7-3/4 ft. (2.4 m). Do not use plastic or metal foil vent. Exhaust outlet hood must be at least 12" (30.5 cm) from the ground or any object that may be in the path of the exhaust.

**Gas supply:** This dryer is equipped for use with Natural gas. It is design-certified by CSA International for LP (propane or butane) gases with appropriate conversion.

No attempt shall be made to convert the appliance from the gas specified on the model/serial rating plate for use with a different gas without consulting your gas company.

Must include 1/8" NPT minimum plugged tapping accessible for test gauge connection, immediately upstream of the gas connection to the dryer.

1/2" IPS pipe is recommended.

3/8" approved aluminum or copper tubing is acceptable for lengths under 20 ft (6.1 m) if local codes and gas supplier permit.

If you are using Natural gas, do not use copper tubing.

Lengths over 20 ft (6.1 m) should use larger tubing and a different size adapter fitting.

If your dryer has been converted to use LP gas, 3/8" LP compatible copper tubing can be used. If the total length of the supply line is more than 20 ft (6.1 m), use larger pipe.

**NOTE:** Pipe joint compounds that resist the action of LP gas must be used. Do not use TEFLON® tape.\*

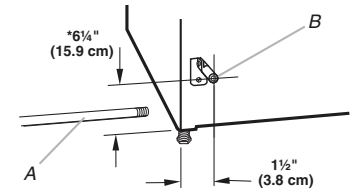
Use an elbow and a 3/8" flare x 3/8" NPT adapter fitting between the flexible gas connector and the dryer gas pipe, as needed to avoid kinking.

This dryer must be connected to the gas supply line with a listed flexible gas connector that complies with the standard for connectors for gas appliances, ANSI Z21.24 or CSA 6.10.

An individual manual shutoff valve must be installed within six (6) feet (1.8m) of the dryer in accordance with the National Fuel Gas Code, ANSI Z223.1. The location should be easy to reach for opening and closing.

\*®TEFLON is a registered trademark of E.I. Dupont De Nemours and Company

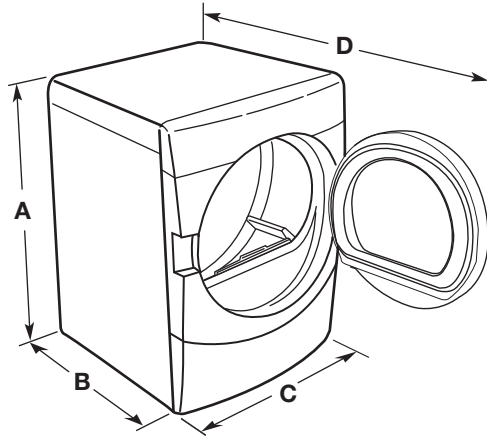
**Dryer gas pipe:** The gas pipe that comes out through the rear of your dryer has a 3/8" male thread.



A. 1/2" NPT gas supply line  
 B. 3/8" NPT dryer pipe

**NOTE:** If the dryer is mounted on a pedestal, the gas pipe height must be an additional 10" (25.4 cm) or 15.5" (39.4 cm) from the floor, depending on the pedestal model. For a garage installation, the gas pipe height must be an additional 18" (46 cm) from the floor.

**PRODUCT DIMENSIONS**



	Steam (Electric or Gas)	Non-Steam (Electric or Gas)
<b>A</b>	38" (9652 mm)	38" (9652 mm)
<b>B</b>	32 9/16" (686 mm)	31 1/2" (800 mm)
<b>C</b>	27" (686 mm)	27" (686 mm)
<b>D</b>	52 9/16" (1335 mm)	51 1/2" (1308 mm)

\* Most installations require a minimum 5" (127 mm) clearance behind the dryer for the exhaust vent with elbow.



# Gas Dryer

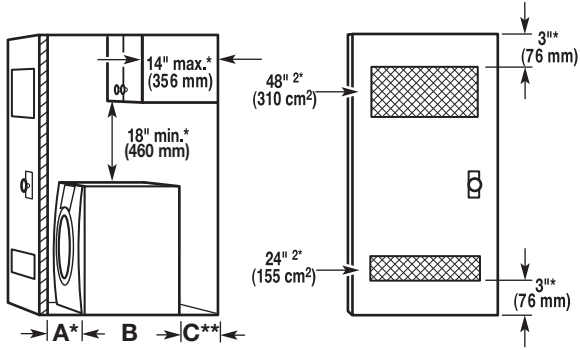
## PRODUCT MODEL NUMBERS

WGD9200S WGD9400S WGD9500T  
 WGD9300V WGD9400V WGD9600T

## RECESSED AREA AND CLOSET INSTALLATION

For closet installation, with a door, the minimum ventilation openings in the top and bottom of the door are required. Louvered doors with equivalent air ventilation openings in the top and bottom are acceptable.

### Closet installation - Dryer only



Side view

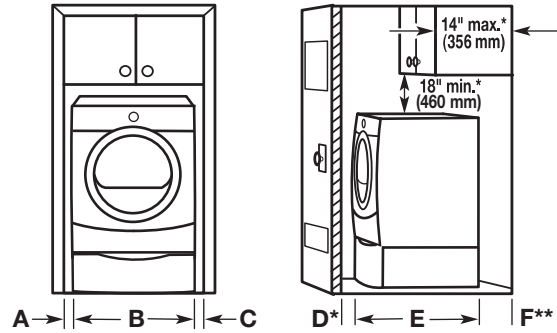
Closet door with vents

	Steam (Electric or Gas)	Non-Steam (Electric or Gas)
<b>A*</b>	1" (25 mm)	1" (25 mm)
<b>B</b>	32 9/16" (686 mm)	31 1/2" (800 mm)
<b>C**</b>	5" (127 mm)	5" (127 mm)

\*Required spacing

\*\*For side or bottom venting, 0" (0 mm) spacing is allowed.

### Recessed or closet installation - Dryer on pedestal



	Steam (Electric or Gas)	Non-Steam (Electric or Gas)
<b>A</b>	1" (25 mm)	1" (25 mm)
<b>B</b>	27" (686 mm)	27" (686 mm)
<b>C</b>	1" (25 mm)	1" (25 mm)
<b>D*</b>	1" (25 mm)	1" (25 mm)
<b>E</b>	32 9/16" (686 mm)	31 1/2" (800 mm)
<b>F**</b>	5" (127 mm)	5" (127 mm)

\*Required spacing

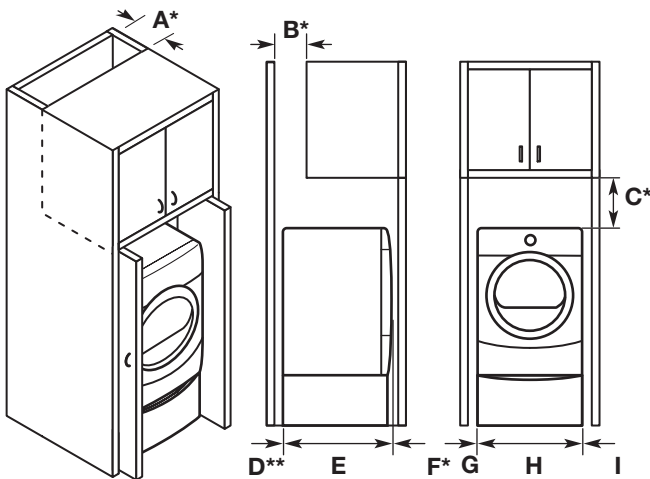
\*\*For side or bottom venting, 0" (0 mm) spacing is allowed

**NOTE:** Some models are not recommended for recessed or closet installation.

## RECOMMENDED INSTALLATION SPACING FOR CABINET INSTALLATION

**NOTE:** Some models are not recommended for cabinet installation.

- For cabinet installation, with a door, minimum ventilation openings in the top of the cabinet are required.



	Steam (Electric or Gas)	Non-Steam (Electric or Gas)
<b>A*</b>	7" (178 mm)	7" (178 mm)
<b>B*</b>	7" (178 mm)	7" (178 mm)
<b>C*</b>	9" (229 mm)	9" (229 mm)
<b>D**</b>	5" (127 mm)	5" (127 mm)
<b>E</b>	32 9/16" (686 mm)	31 1/2" (800 mm)
<b>F*</b>	1" (25 mm)	1" (25 mm)
<b>G</b>	1" (25 mm)	1" (25 mm)
<b>H</b>	27" (686 mm)	27" (686 mm)
<b>I</b>	1" (25 mm)	1" (25 mm)

\*Required spacing

\*\*For side or bottom venting, 0" (0 mm) spacing is allowed.



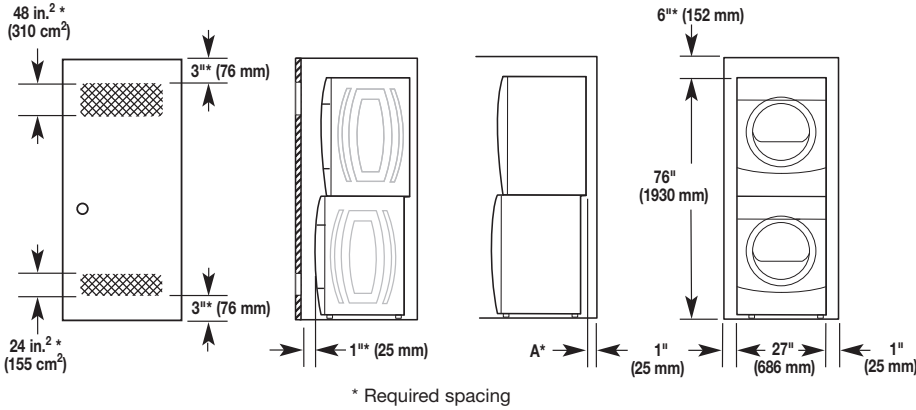
# Gas Dryer

## PRODUCT MODEL NUMBERS

WGD9200S WGD9400S WGD9500T  
 WGD9300V WGD9400V WGD9600T

## RECOMMENDED INSTALLATION SPACING FOR RECESSED OR CLOSET INSTALLATION, WITH STACKED WASHER AND DRYER

Dimensions shown are for recommended spacing.



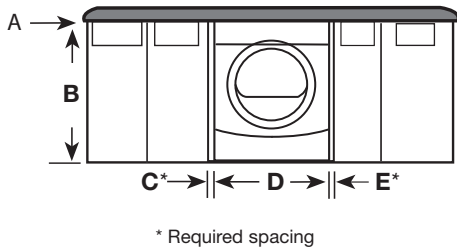
	Steam (Electric or Gas)	Non-Steam (Electric or Gas)
A*	5 1/2" (140 mm)	5" (127 mm)

\*Required spacing

**NOTE:** Some models are not recommended for stacked recessed or closet installation.

## CUSTOM UNDERCOUNTER INSTALLATION – DRYER ONLY

Dimensions shown are for minimum spacing.



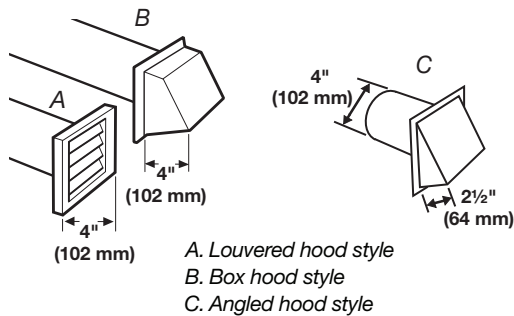
	Steam (Electric or Gas)	Non-Steam (Electric or Gas)
A	0" (0 mm)	0" (0 mm)
B	38" (9652 mm)	38" (9652 mm)
C*	1" (25 mm)	1" (25 mm)
D	27" (686 mm)	27" (686 mm)
E*	1" (25 mm)	1" (25 mm)

\*Required spacing

**NOTE:** Some models are not recommended for undercounter installation.

## EXHAUST VENTING

A and B: Recommended hood styles.  
 C: Acceptable hood style.



**NOTE:** Side and bottom exhaust installations have a 90° turn inside the dryer. To determine maximum exhaust length, add one 90° turn to the chart.

Number 90° elbows	Type of vent	Box /louvered hoods	Angled hoods
0	Rigid metal	64 ft (20 m)	58 ft (17.7 m)
1	Rigid metal	54 ft (16.5 m)	48 ft (14.6 m)
2	Rigid metal	44 ft (13.4 m)	38 ft (11.6 m)
3	Rigid metal	35 ft (10.7 m)	29 ft (8.8 m)
4	Rigid metal	27 ft (8.2 m)	21 ft (6.4 m)

Select the route that will provide the straightest and most direct path outdoors. Plan the installation to use the fewest number of elbows and turns. Use the fewest 90° turns possible.

Do not use vent runs longer than specified in vent length chart.

Determine the number of elbows you will need.