



## Standard Features & Accessories

### All models include

- Hidden touchpad electronic controls with digital temperature readout
  - Inside temperature can be adjusted from 40 – 65°F
  - TruProtect™ system signals if door is left open or if temperature is out of set range
  - Sabbath mode disables audible tones, LED display and lights
  - Temperature can be displayed in either Fahrenheit or Celsius
- Capacity—3.0 cu. ft. (84.9 L)
- Two full-depth removable wire shelves
- One full-depth tempered glass shelf creates distinct temperature zone for wine storage
- Wine shelf holds four bottles of wine and pulls out for easy access
- Low-E argon-filled glass doors
- Automatic cycle defrost
- Interior light—turns on by switch or when door is opened
- Install as undercounter or freestanding unit
- Glass door models with white interior are available special order (Professional models only)
- Must be ordered right or left hinge (As you face unit, RIGHT has hinge on right side and handle on left side; LEFT has hinge on left side and handle on right side.)

## Model Options



**VUAR154/VUAR153**  
Professional

- FINISH DETAILS FOR VUAR MODELS**
- Clear and fluted glass doors
    - Stainless Steel (SS)—stainless steel frame around large window door, stainless steel handle with chrome-plated brackets, and black exterior cabinet.
    - Black (154) or white (153) interior
  - Solid door
    - Stainless Steel (SS)
    - White (153) interior\*
    - Finish codes designate door front. Stainless steel handle with chrome-plated brackets and black exterior cabinet.



**DUAR154/DUAR153**  
Designer

- FINISH DETAILS FOR DUAR MODELS**
- Clear and fluted glass doors
    - Stainless Steel (SS)—stainless steel frame around large window door, stainless steel handle with chrome-plated brackets, and black exterior cabinet.
    - Black (154) interior
  - Solid door
    - Stainless Steel (SS)
    - White (153) interior\*
    - Finish codes designate door front. Cast stainless steel handle and black exterior cabinet.



**DFUR154**  
Custom Front

- FINISH DETAILS FOR DFUR MODELS**
- Clear and fluted glass doors.
  - Black (154) interior
  - Handle not included—opt for custom handle, or purchase a Viking Professional Series or Designer Series handle kit (see **Installation Notes & Accessories**).
  - Accept 3/4"-thick custom wood frame.
  - See **Custom Panels** section for more information and additional specifications.

\* Black interior not available on solid door models

### ORDERING INSTRUCTIONS

First specify model number, then specify door style ("F" for fluted, "C" for clear or "D" for solid) immediately after model number (VUAR154F). Next, specify hinge preference ("R" for right or "L" for left), and then color code (VUAR154FRSS).



★ Please see **Installation Notes & Accessories** for important information, including handle and trim kits.

### Dimensions & Specifications

#### PRODUCT DIMENSIONS



**VUAR154/VUAR153**  
Professional

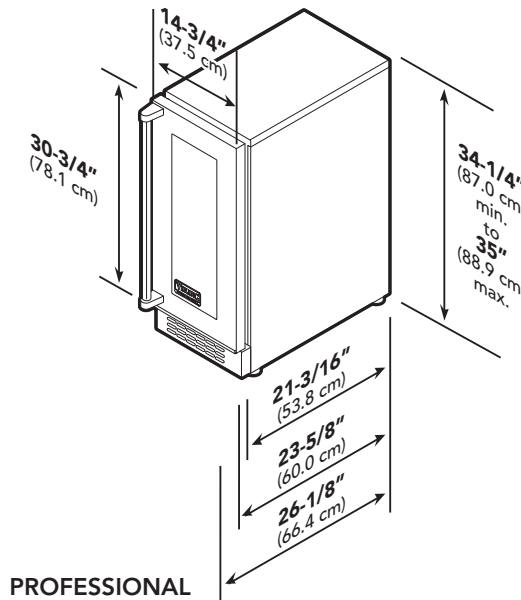


**DUAR154/DUAR153**  
Designer

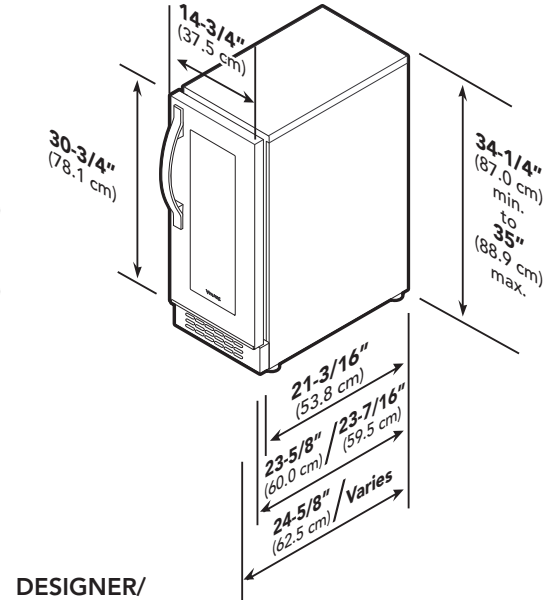


**DFUR154**  
Custom Front

See **Custom Panels** section for more information and additional specifications.



PROFESSIONAL



DESIGNER/  
CUSTOM FRONT

	VUAR154/VUAR153	DUAR154/DUAR153	DFUR154
Overall width		14-3/4" (37.5 cm)	
Overall height		34-1/4" (87.0 cm) min. to 35" (88.9 cm) max.	
Overall depth (from rear)			
To front of handle	26-1/8" (66.4 cm)	24-5/8" (62.5 cm)	Varies
With door open		37-3/16" (94.5 cm)	
Approx. ship weight		110 lbs. (49.5 kg)	



## Dimensions & Specifications

### DOOR SWING



**VUAR154/VUAR153**  
Professional

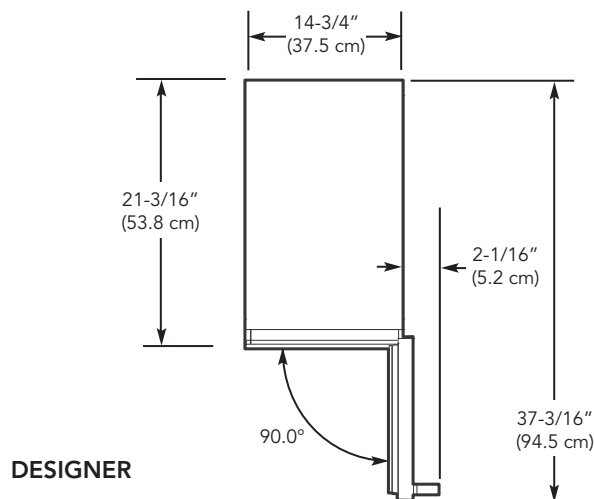
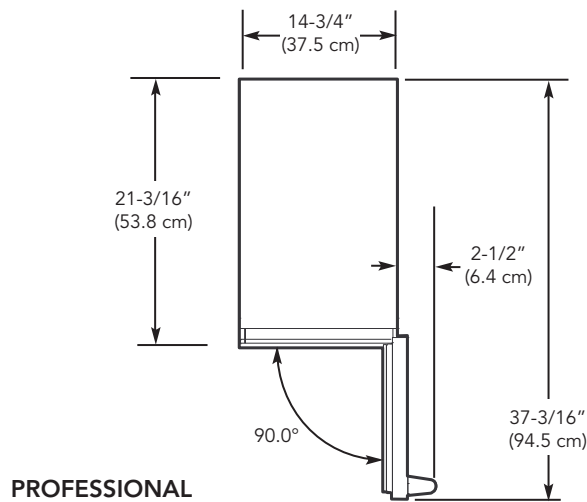


**DUAR154/DUAR153**  
Designer



**DFUR154**  
Custom Front

See **Custom Panels** section for more information and additional specifications.





### UTILITY REQUIREMENTS



**GAS**  
Not applicable



- ELECTRICAL**
- Three-wire cord with grounded three-prong plug attached to product
  - 115 VAC/60 Hz; 15 amp dedicated circuit
  - Maximum amp usage—3.0



**PLUMBING**  
• Not applicable

## Installation Requirements

### ACCESS REQUIREMENTS



**VUAR154/VUAR153**  
Professional

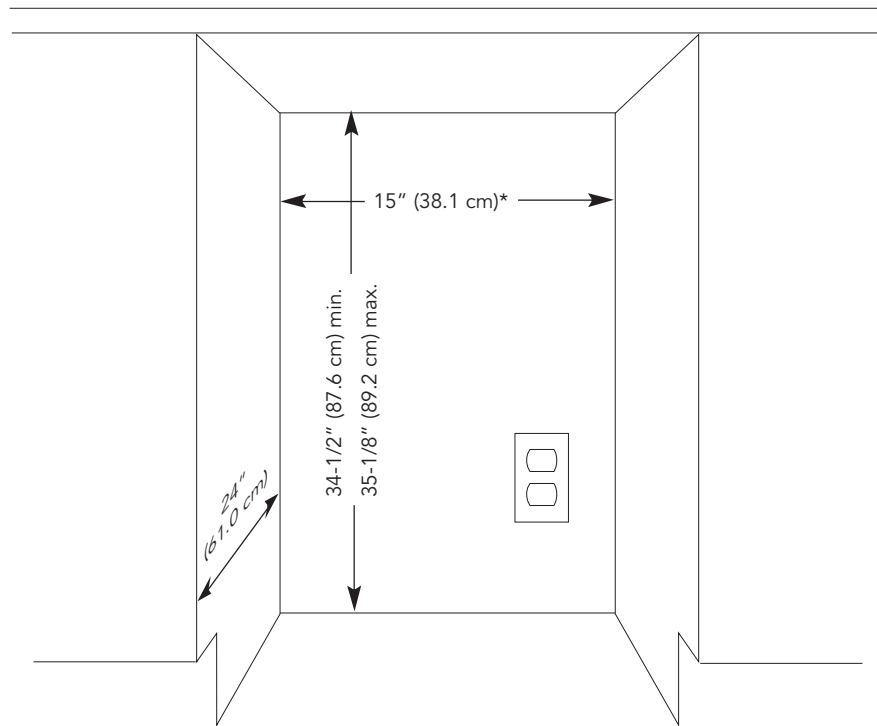


**DUAR154/DUAR153**  
Designer



**DFUR154**  
Custom Front

See **Custom Panels** section for more information and additional specifications.



\*15" (38.1 cm) width for cabinet only; If door is recessed between cabinets, cutout must be 15-1/4" (38.7 cm).

All models	
Cutout width	15" (38.1 cm)*
Cutout height	34-1/2" (87.6 cm) min. to 35-1/8" (89.2 cm) max.
Cutout depth	24" (61.0 cm)



# REFRIGERATION

## Undercounter/Freestanding 15"W. Beverage Center



### ★ Installation Notes & Accessories

#### Handle Kits

- For use with custom front 15"W. beverage center
- For use on locally supplied custom front panels
- Handles allow custom front products to coordinate with other Professional & Designer products
- Kit includes one handle and installation hardware

Model	Description	Approx. ship wt. lb. (kg)
PHK30-SS	Professional handle (Stainless Steel)	6 (2.7)
PHK30-BR	Professional handle (Brass)	6 (2.7)
DHK18-SS	Designer handle (Stainless Steel)	5 (2.3)
DHK18-BR	Designer handle (Brass)	5 (2.3)

#### Brass Handle Kit

- For use with Professional 15"W. beverage center

Model	Description	Approx. ship wt. lb. (kg)
PURHK30-BR	Professional brass handle kit and logo for VUAR	6 (2.7)

#### Trim

- Stainless Steel (SS)
- Increases overall size of product to install in 18"W. cutout

Model	Description	Approx. ship wt. lb. (kg)
TRIM-18	Trim for 18"W. cutout	5 (2.3)

#### Compliance Information



#### WARRANTY SUMMARY\*

- Two-year full warranty—complete unit
- Six-year full warranty—sealed refrigeration system (includes compressor, condenser, dryer/strainer, evaporator, and connecting tubing)
- Twelve-year limited warranty—sealed refrigeration system
- Ninety-day limited warranty—cosmetic parts such as glass, painted items, and decorative items

\*For complete warranty see *Use & Care Guide*. Warranty valid on Viking products shipped within the United States and Canada.

