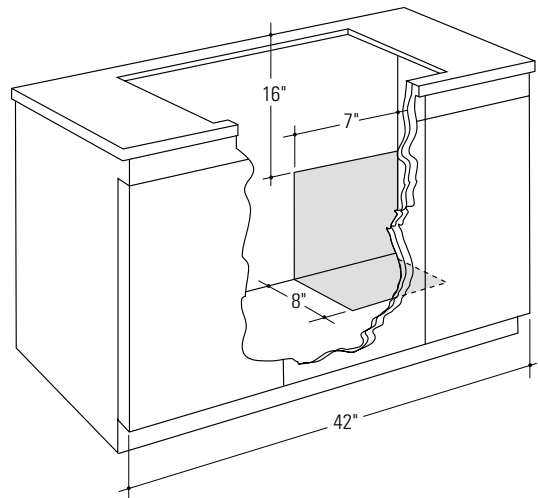
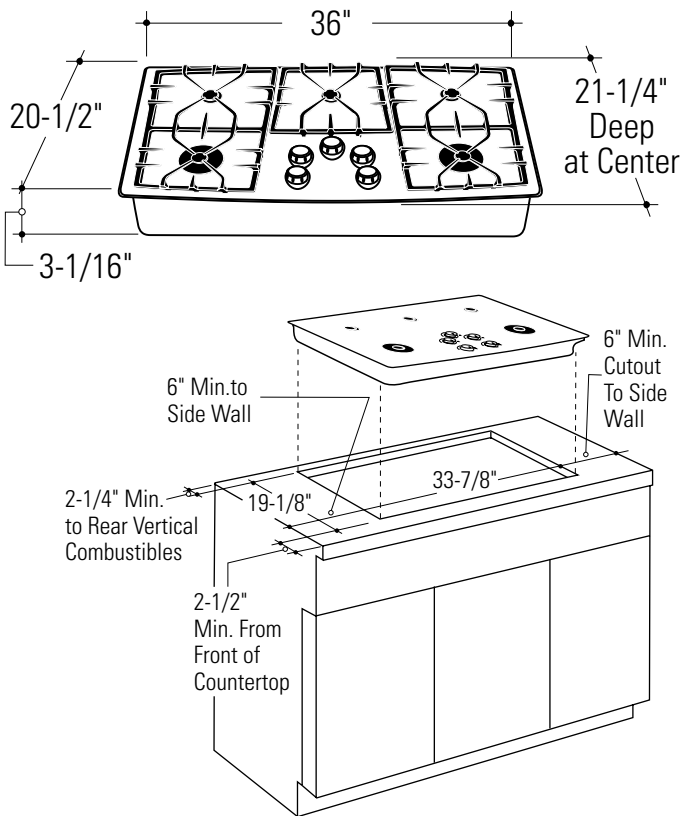




Monogram™

ZGU36GGBD/SD/TD—GE Monogram 36" Gas on Glass Cooktop

Dimensions and Specifications (in inches)



Note: Reference Instructions, GE Monogram 36" Stainless Steel Cooktop Installation, packed with product, for complete details.

Slab Installation: For peninsula or island installation and rear wall ducting, PVC duct should be used if installing under a poured concrete slab.

Note: The cooktop cutout is rectangular. The bowed front edge of the cooktop will sit on top of the counter.

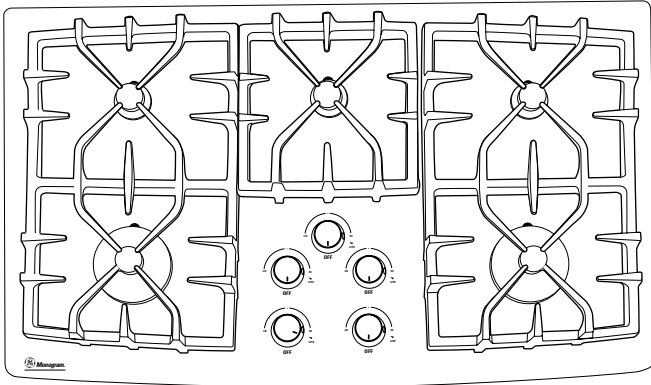
For answers to your Monogram®, GE Profile™ or GE appliance questions, visit our website at GEAppliances.com or call GE Answer Center® service, 800.626.2000.





Monogram™

ZGU36GGBD/SD/TD—GE Monogram 36" Gas on Glass Cooktop



Features and Benefits

- 36" Gas on Glass Cooktop
- Five Cooking Areas with Sealed Cooktop Burners
- (2) 6,000 BTU Gas Burners
- (1) 9,100 BTU Gas Burner
- (1) 11,000 BTU Gas Burner
- (1) 15,000 BTU Gas Burner
- Burner Flame Stability Chamber
- Electronic Pilotless Ignition
- Ceramic Glass Surface
- Cast-Iron Porcelainized Burner Grates
- Continuous Interlocking Grates
- Tactile Grip Knobs
- Front-Mounted Controls
- Model ZGU36GGSDSS—Black (Stainless Steel Trim)
- Model ZGU36GGTDWW—True White
- Model ZGU36GGBDBB—Black