

Installation Instructions

Single Double Wall Oven

PT925

If you have questions, call 1.800.GE.CARES or visit our website at: ge.com

Before You Begin

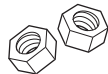
Read these instructions carefully and completely.

- **IMPORTANT**—Save these instructions for local inspector's use.
- **IMPORTANT**—Observe all governing codes and ordinances.
- **Note to Installer**—Be sure to leave these instructions with the consumer.
- **Note to Consumer**—Keep these instructions for future reference.
- Proper installation is the responsibility of the installer and product failure due to improper installation is NOT covered under warranty.
- **NOTE**—This appliance must be properly grounded.
- **ATTENTION INSTALLER**
All electric wall ovens must be hard wired (direct wired) into an approved junction box. A plug and receptacle is NOT permitted on these products.

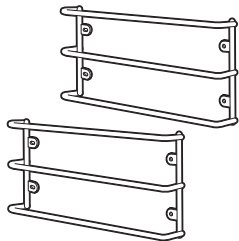
Parts Included (Appearance will vary)



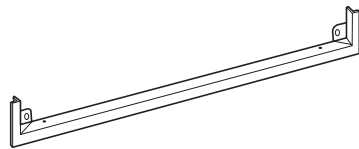
Screws For Installation
(8-18 x .625 Black Dome
Phillips Head)



Hex Nuts

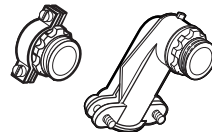


Lower Oven
Rack Supports
with Hex Nuts

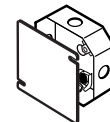


30" (76.2 cm)
Metal Bottom Trim Assembly

Materials Needed



Strain Relief Clamp for
1/2" conduit



Junction Box

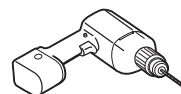


String 72"
(183 cm)

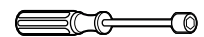


Wire Nuts

Tools Needed



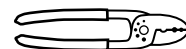
1/8" (3 mm) Drill Bit and
Electric or Hand Drill



Nut Driver 7/16"
(11 mm)



Phillips #2
Screwdriver



Wire Strippers

Installation Instructions

IMPORTANT SAFETY INSTRUCTIONS

For Your Safety

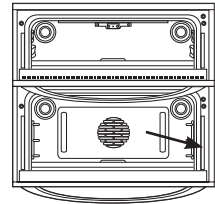
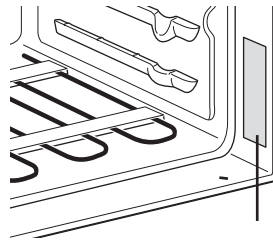
- Be sure your oven is installed properly by a qualified installer or service technician.
- Be sure the oven is securely installed in a cabinet that is firmly attached to the house structure. Weight on the oven door could cause the oven to tip and result in injury. Never allow anyone to climb, sit, stand or hang on the oven door.
- Make sure the cabinets and wall coverings around the oven can withstand the temperatures (up to 200°F [93.3°C]) generated by the oven.



WARNING: The electrical power to the oven supply line must be shut off while line connections are being made. Failure to do so could result in serious injury or death.

Electrical Requirements

Rating plate is located on oven side trim, side front frame or lower front frame.



Rating Plate Location

We recommend you have the electrical wiring and hookup of your oven connected by a qualified electrician. After installation, have the electrician show you how to disconnect power from the range.

Check with your local utilities for electrical codes which apply in your area. Failure to wire your oven according to governing codes could result in a hazardous condition. If there are no local codes, your oven must be wired and fused to meet the requirements of the National Electrical Code, NFPA No. 70–Latest Edition, available from the National Fire Protection Association.

Effective January 1, 1996, the National Electrical Code requires that new, but not existing, construction utilize a four-conductor connection to an electric oven. When installing an electric oven in new construction, a mobile home, recreational vehicle or an area where local codes prohibit grounding through the neutral conductor, follow the instructions in the section on NEW CONSTRUCTION AND FOUR-CONDUCTOR BRANCH CIRCUIT CONNECTION.

You must use a single-phase 120/208 VAC or 120/240 VAC, 60 hertz electrical system. If you connect to aluminum wiring, properly installed connectors approved for use with aluminum wiring must be used.

Electrical Requirements

This appliance must be supplied with the proper voltage and frequency, and connected to an individual, properly grounded branch circuit, protected by a circuit breaker or fuse. See the rating plate located on the oven frame to determine the rating of the product. Use the chart below to determine the minimum recommended dedicated circuit protection.

KW Rating 240V	KW Rating 208V	Recommended Circuit Size (Dedicated)
≤4.8 KW	≤4.1 KW	20 Amp
4.9 KW–7.2 KW	4.3 KW–6.2 KW	30 Amp
7.3 KW–9.6 KW	6.3 KW–8.3 KW	40 Amp
9.7 KW–12.0 KW	8.4 KW–10.4 KW	50 Amp

Installation Instructions

✓ Pre-Installation Checklist

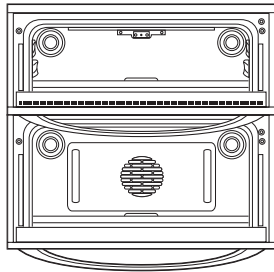
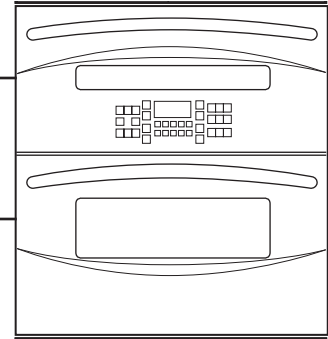
ALL INSTALLATION INFORMATION ON THE FOLLOWING PAGES IS TO BE USED FOR **SINGLE DOUBLE WALL OVEN INSTALLATION!**

DO NOT LIFT THE DOOR BY THE HANDLE!

- ✓ Remove packaging materials. Check behind hinges and under elements. Remove labels on the outside of the door, plastic on trims and panel, all tape around the oven.

Upper Door
Do not remove during installation

Lower Door
Removal not required for installation



Flat Rack with Handles

Flat Rack without Handles

Offset Rack without Handles

- ✓ Place the oven on a table or platform even with the cutout opening. Platform must support 200 lbs. (91 Kg).

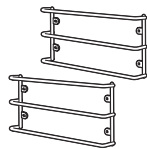
- ✓ Remove the bottom trim from the top of the oven. The trim is wrapped separately and taped to the top of the unit. It will be installed before unit is pushed fully into the cabinet, 4" out from cabinet



Temperature Probe



Literature Pack



Rack Supports with Hex Nuts

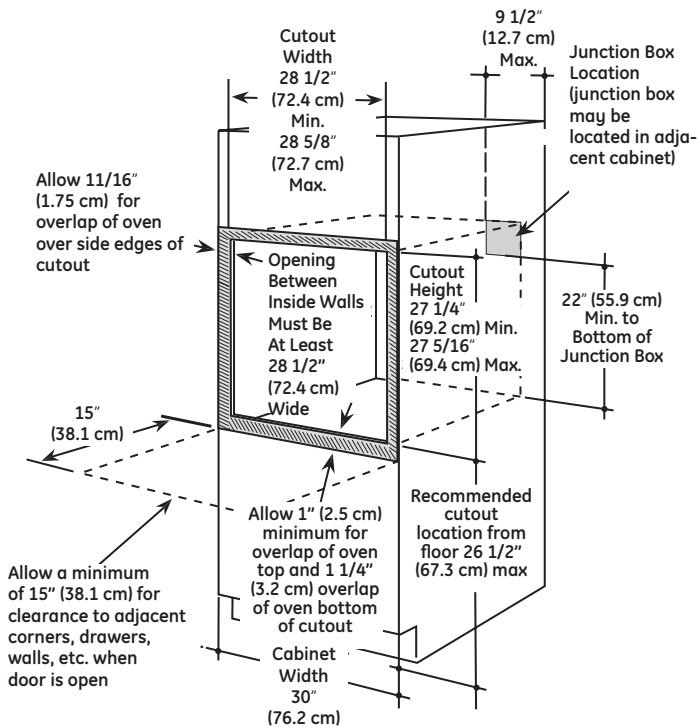
- ✓ Open oven door and remove literature pack and oven racks.
- ✓ Remove Installation Instructions from literature pack and read them carefully before you begin.
- Be sure to place all literature, Owner's Manual, Installations, etc. in a safe place for future reference.

Upper door should not be removed during installation.

Lower door removal is not recommended. If required, see removal and installation instructions in appendix.

Installation Instructions

A Cutout for 30" (76.2 cm) Single Double Wall Oven



Cabinet Width 30" (76.2 cm)

Recommended Cutout Location from Floor 26 1/2" (67.3 cm) Max.

Cutout Depth 23 1/2" (59.7 cm) Min.

Cutout Width 28 1/2" (72.4 cm) Min. 28 5/8" (72.7 cm) Max.

Cutout Height 27 1/4" (69.2 cm) Min. 27 5/16" (69.4 cm) Max.

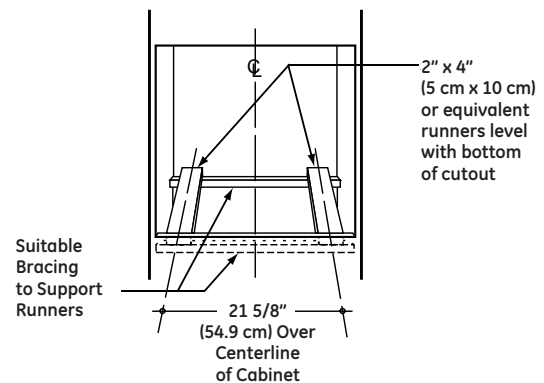
NOTE: If the cabinet does not have a front frame and the sides are less than 3/4" (1.9 cm) thick, shim both sides equally to establish the cutout width.

If the cabinet does not have a solid bottom, two braces or runners must be installed level with the bottom of the cutout to support the weight of the oven. For single ovens, the runners and braces must support 200 lbs (91 Kg).

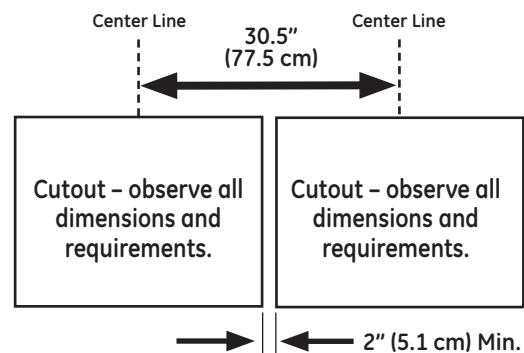
NOTE: If marks, blemishes or the cutout opening are visible above the installed oven, it may be necessary to add wood shims under the runners and front trim until the marks or opening are covered.

These ovens are not approved for stackable installations.

Caution: Users may be burned when using an oven mounted too high. The recommended mounting height is based on a 5 ft tall user.



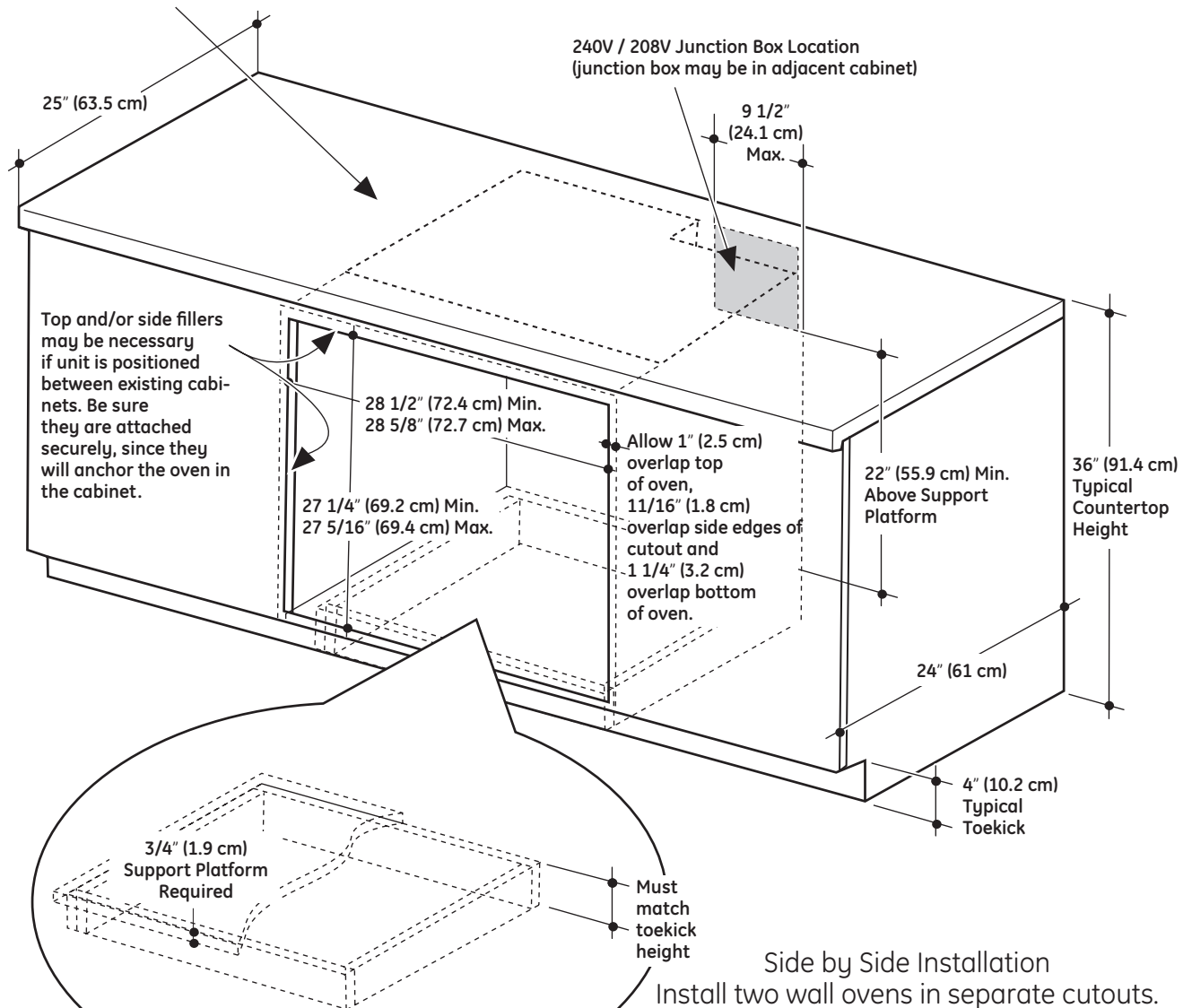
Side by Side Installations
Install two wall ovens in separate cutouts.



Installation Instructions

A Cutout for 30" (76.2 cm) Single Double Oven Under Counter

Electric cooktops may be installed over this oven. See cooktop installation instructions for cutout size. See label on top of oven for approved cooktop models.

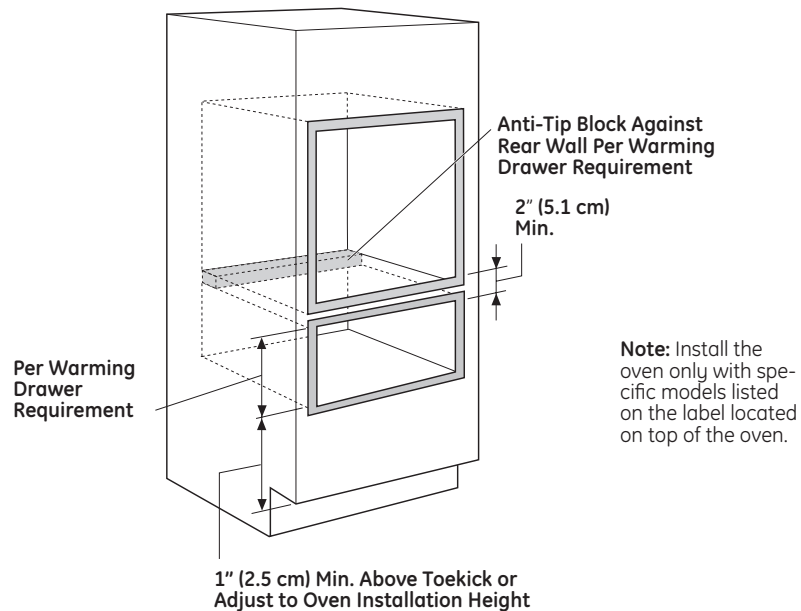


NOTE: This oven is only approved to be installed under the specific models as labeled on this unit.

Cabinetry

A Cutout for 30" (76.2 cm) Single Double Wall Oven – Over a Warming Drawer

Single Double 30" (76.2 cm)
Oven Over a Warming Drawer

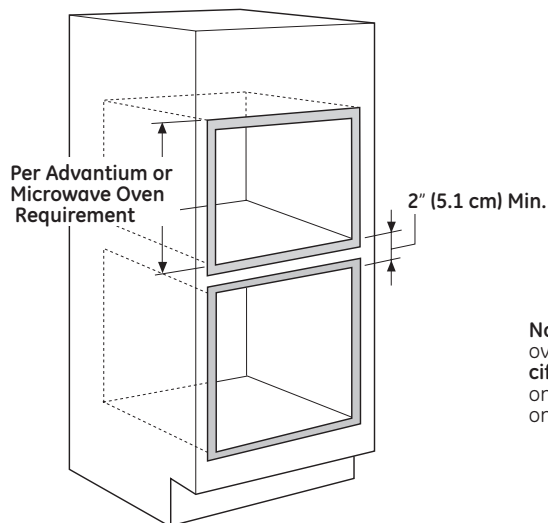


NOTE: Additional clearances between cutouts may be required. Check to be sure the oven supports above the Warming Drawer location do not obstruct the required interior depth and height.

Cabinetry

A Cutout for 30" (76.2 cm) Single Double Wall Oven Below an Advantium or Microwave Oven or Between an Advantium or Microwave Oven and a Warming Drawer

Single Double 30" (76.2 cm) Oven Below an Advantium or Microwave Oven



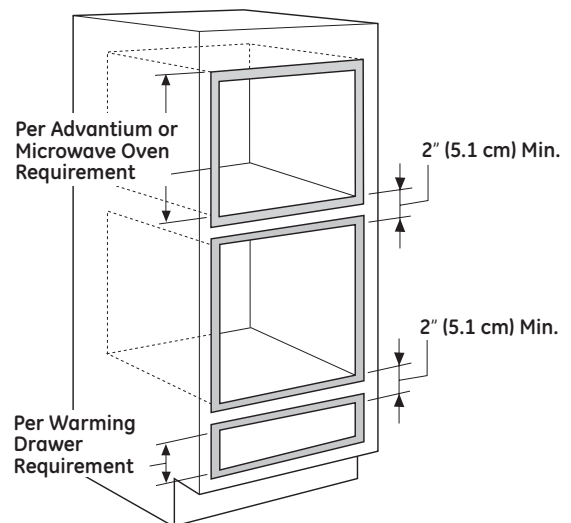
Note: Install the oven only with specific models listed on the label located on top of the oven.

NOTE: The middle rail separating the two openings may need to be larger than the 2" (5.1 cm) minimum shown. Always refer to the individual installation instructions packed with each product for specific requirements.

Combined Advantium or Microwave Oven and Wall Oven Installation: When installed in combination with a single wall oven, use separate electrical junction boxes.

- Refer to the Advantium or microwave oven installation instructions for electrical requirements of that product.
- These connections must be made by a qualified electrician. All electrical connections must meet National Electrical Code or prevailing local codes.

Single Double 30" (76.2 cm) Oven Between an Advantium or Microwave Oven and a Warming Drawer



NOTE: Additional clearances may be required. Check to be sure the oven supports above the Warming Drawer do not obstruct the required interior depth and height. The middle rail separating the openings may need to be larger than the 2" (5.1 cm) minimum shown. Always refer to the individual installation instructions packed with each product for specific requirements.

Warming Drawer Combined with Advantium or Microwave Oven and Single Oven:

Install a separate 120V, 60Hz, properly grounded receptacle. See installation instructions packed with each product for specific requirements.

Installation Instructions

B Electrical Connections

ATTENTION INSTALLER

All electric wall ovens must be hard wired (direct wired) into an approved junction box. A plug and receptacle is NOT permitted on these products.

DO NOT shorten the flexible conduit. The conduit strain relief clamp must be securely attached to the junction box and the flexible conduit must be securely attached to the clamp. If the flexible conduit will not fit within the clamp, do not install the oven until a clamp of the proper size is obtained.

NOTE TO ELECTRICIAN: The 3 power leads supplied with this appliance are UL recognized for connection to heavier gauge household wiring. The insulation of these 3 leads is rated at temperatures much higher than the temperature rating of household wiring. The current carrying capacity of the conductor is governed by the wire gauge and the temperature rating of the insulation around the wire.



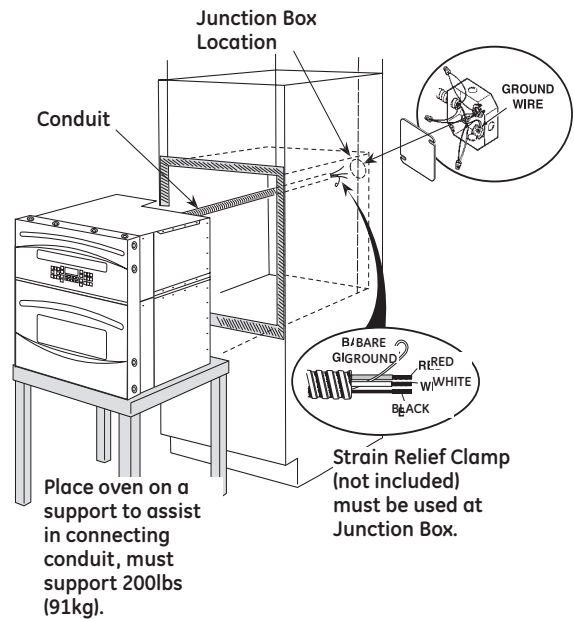
WARNING: Improper connection of aluminum house wiring to copper leads can result in an electrical hazard or fire. Use only connectors designed for joining copper to aluminum and follow the manufacturer's recommended procedure closely.

B1

Turn off the circuit breaker or remove fuses to the oven branch circuit.

B2

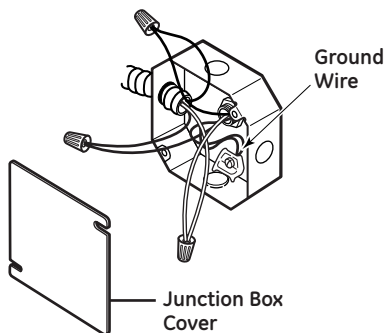
With the oven supported on a table or platform in front of the cabinet opening, connect the flexible conduit to the electrical junction box as shown below. Position the conduit in such a manner that it will lie in a natural loop, in the conduit pocket behind the unit, when the oven is installed. You will need to purchase an appropriate strain relief clamp to complete the connection of the conduit to the junction box.



Installation Instructions

B3 New Construction and Four-Conductor Branch Circuit Connection

- When installing in new construction, or
 - When installing in a mobile home, or
 - When installing in a recreational vehicle, or
 - When local codes do not permit grounding through neutral:
- a. Cut the neutral (white) lead from the crimp. Re-strip the neutral (white) lead to expose the proper length of conductor.

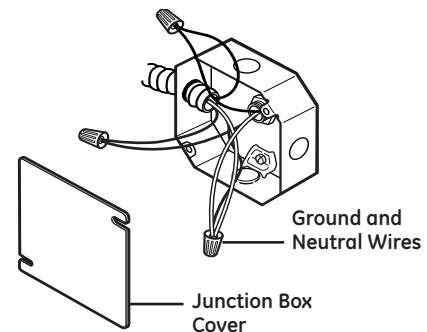


- b. Attach the appliance grounding lead (green or bare copper) in accordance with local codes. If the residence grounding conductor is aluminum, see WARNING on page 8.
- c. Connect the oven neutral (white) lead to the branch circuit neutral (white or gray) in accordance with local codes, using a wire nut.
- d. Connect the oven red lead to the branch circuit red lead and the oven black lead to the branch circuit black lead in accordance with local codes, using wire nuts. If the residence red, black or white leads are aluminum conductors, see WARNING on page 8.
- e. Install Junction Box Cover.

B4 Three-Conductor Branch Circuit Connection

When connecting to a three-conductor branch circuit, if local codes permit:

- a. Connect the bare oven ground conductor with the crimped neutral (white) lead to the branch circuit neutral (white or gray in color), using a wire nut.



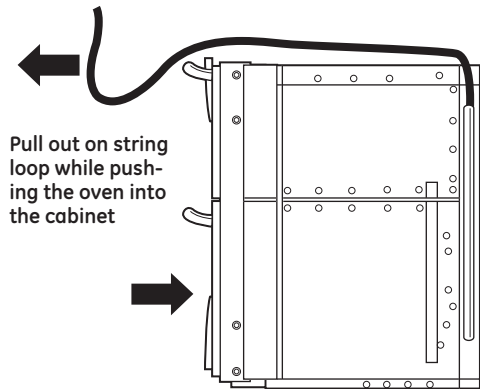
- b. Connect the oven red lead to the branch circuit red lead in accordance with local codes, using a wire nut.
- c. Connect the oven black lead to the branch circuit black lead in accordance with local codes, using a wire nut. If the residence red, black or white leads are aluminum conductors, see WARNING on page 8.
- d. Install Junction Box Cover.

Installation Instructions

C Securing the Oven in the Opening

C1 Sliding the Oven Into the Opening

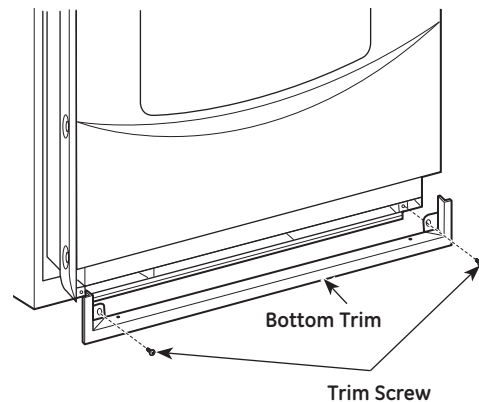
- a. Loop (**do not tie**) a 72" (183 cm) string around the conduit before the oven is slid into place. This will keep the conduit from falling behind the oven.



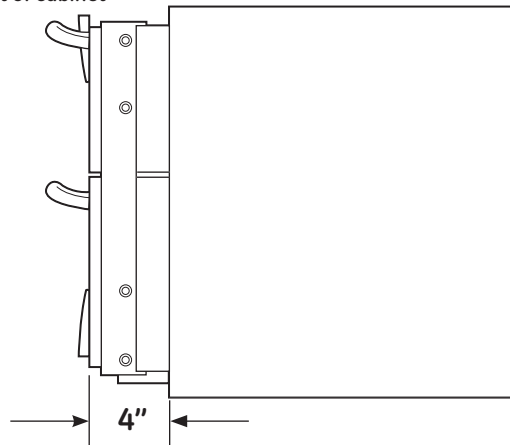
- b. Lift oven into cabinet cutout using the oven opening as a grip. Do not lift the door by the handle! Carefully push against oven front frame. Do not push against outside edges.
- c. As you slide the oven back, pull the string so that the conduit will lie in a natural loop, behind the oven.
- d. When you are sure the conduit is out of the way, slide the oven 3/4 way back into the opening. Remove the string by pulling on one end of the loop.

C2 Installing the Metal Bottom Trim

- a. Place the bottom metal trim under air divider, with side flush against side trim. Do this with the unit 4" out of the cabinet.
- b. Using two trim screws provided, secure the bottom trim to the bottom duct asm.



Install bottom trim with unit 4" out of cabinet



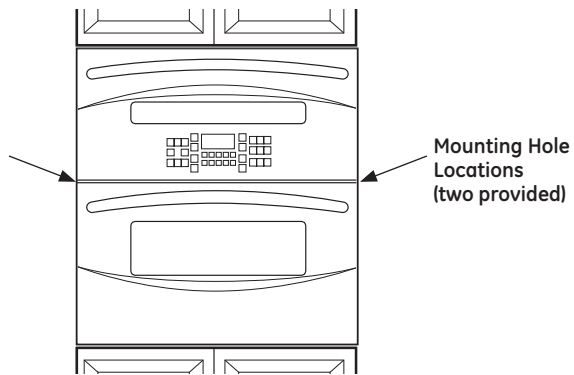
IMPORTANT: If this unit is ever removed from the cabinet or the oven is ever pulled out for service, pull unit out 4" and remove the bottom trim. This will prevent damage to the trim.

Installation Instructions

C3 Drilling the Pilot Holes and Mounting the Oven

NOTE: Before drilling the pilot holes, make sure the oven is pushed as far back into the opening as it will go and centered.

- a. Drill through the mounting holes of the side trim, for the #8 screws provided.



WARNING: Mounting screws must be used. Failure to do so could result in the oven falling out of the cabinet causing serious injury.

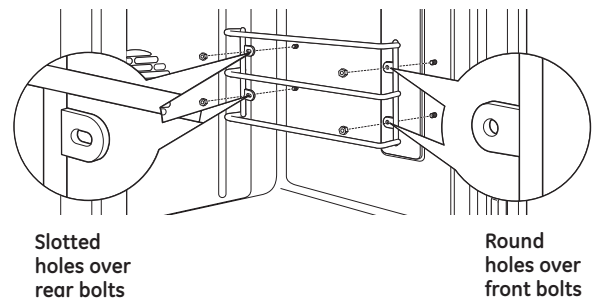
- b. Secure the oven to cabinet with screws provided.

NOTE: If the cabinet is particle board, you must use #8 x 3/4" particle board screws. These may be purchased at any hardware store.

C4 Installing the Lower Oven Rack Supports and Oven Racks

Oven Rack Supports

Place the rack support with slotted holes over the rear bolts and round holes over the front bolts. Using a nut driver 7/16" (11 mm), lightly secure with four nuts but do not overtighten or the enamel could be chipped. Repeat for the second rack support.







Oven Racks:







Place the rear rack lock bar over and onto the rack supports, slide the rack all the way in until the rear rack lock bar drops below the rack supports. Pull rack forward and make sure the rear rack lock bar is engaged under the rack support.

Installation Instructions

Pre-Test Checklist

-  Remove all protective film, if present, and any stickers.
-  Check to be sure that all wiring is secure and not pinched or in contact with moving parts.
-  Check that the bottom trim is installed properly (see page 11).
-  Check to be sure the mounting screws are installed and flush with the side trim (see page 10).

Operation Checklist

-  Remove all items from the inside of the oven.
 -  Check that conduit is securely connected to the junction box.
 -  Turn on the power to the oven. (Refer to your Owner's Manual.) Verify that the bake and broil units, and all cooking functions operate properly.
 -  Check that the circuit breaker is not tripped nor the house fuse blown.
 -  See your Owner's Manual for troubleshooting list.
-  **NOTE TO ELECTRICIAN:** The power leads supplied with this appliance are UL recognized for connections to larger gauge household wiring. The insulation of these leads is rated at temperatures much higher than the temperature rating of household wiring. The current carrying capacity of a conductor is governed by the wire gauge and also the temperature rating of the insulation around the wire.
- NOTE: ALUMINUM WIRING**
- A. **WARNING: IMPROPER CONNECTION OF ALUMINUM HOUSE WIRING TO THE COPPER LEADS CAN RESULT IN AN ELECTRICAL HAZARD OR FIRE.**
 - B. Splice copper wires to aluminum wiring using special connectors designed and UL approved for joining copper to aluminum, and follow the manufacturer's recommended connector procedure closely.
- NOTE:** Wire used, location and enclosure of splices, etc., must conform to good wiring practice and local codes.

Appendix

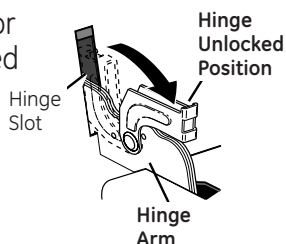
Lower Oven Door Removal and Installation Instructions

DOOR REMOVAL

Bottom door removal is not recommended for installation of the product.

- 1 Open the oven door as far as it will go.

- 2 Pull both hinge locks down toward the door frame, to the unlocked position. This may require a flat blade screwdriver.

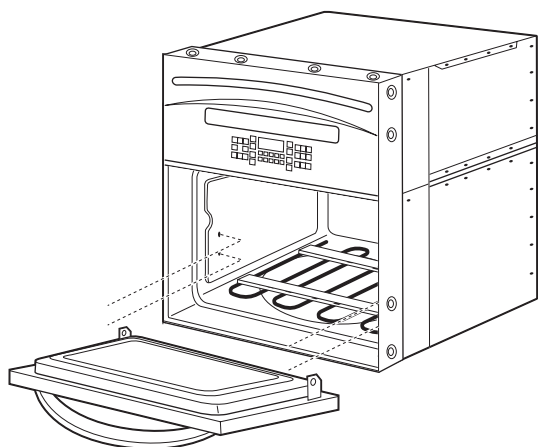
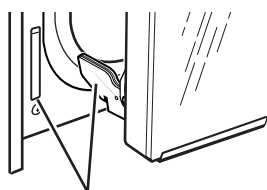


DO NOT LIFT THE DOOR BY THE HANDLE!

- 3 Place hands on both sides of the door, and close the oven door to the removal position, which is most of the way closed.



- 4 Lift door up and out until the hinge arms clear the slots.



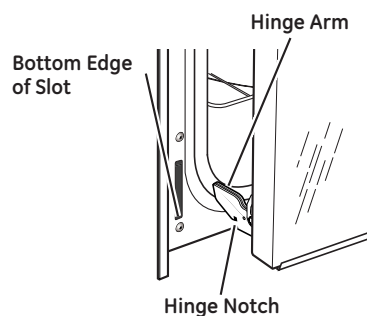
DOOR REPLACEMENT

NOTE: The oven door is heavy. You may need help lifting the door high enough to slide it into the hinge slots. Do not lift the door by the handle.

- 1 Lift oven door by placing one hand on each side. The door is heavy; you may need help. Do not lift the door by the handle.

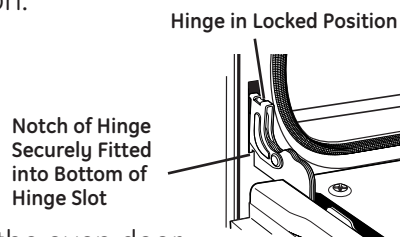


- 2 With door at the same angle as removal position, (most of the way closed), seat the notch of the hinge arm into the bottom edge of the hinge slot. The notch of the hinge arm must be fully seated into the bottom of the slot.



- 3 Open the oven door as far as it will open.

- 4 Push the hinge locks up against the front frame of the oven cavity, to the locked position.



- 5 Close the oven door.

Notes

Instrucciones de instalación

Horno de pared simple doble

PT925

¿Preguntas? Visite nuestro sitio en la Web: ge.com

Antes de empezar

Lea estas instrucciones cuidadosa y completamente.

- **IMPORTANTE**—Guarde estas instrucciones y téngalas disponibles para el inspector local.
- **IMPORTANTE**—Observe todos los códigos y ordenanzas vigentes.
- Nota al instalador—Cerciórese de dejar estas instrucciones con el propietario.
- Nota al consumidor—Guarde estas instrucciones para usarlas como referencia en el futuro.

- La instalación apropiada es responsabilidad del instalador y la falla del producto por una instalación incorrecta NO está cubierta por la garantía.
- **NOTA**—Este aparato debe estar conectado a tierra adecuadamente.

- **¡ATENCIÓN AL INSTALADOR!** Todos los hornos electrónicos de pared deben ser cableados directamente en una caja de conexión aprobada. Un "enchufe-receptáculo" NO ES permitido en estos productos.

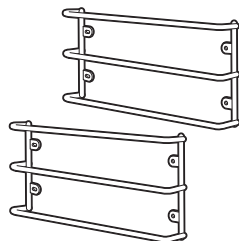
Partes incluidas (la apariencia puede variar)



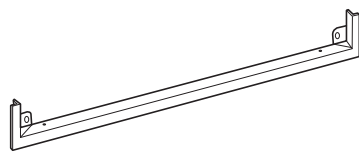
Tornillos para instalación
(Cabeza de estrella tapa negra de 8-18 x .625)



Tuercas hexagonales

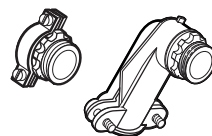


Soportes de la bandeja del horno inferior con tuercas hexagonales

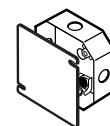


30" (76,2 cm)
Montaje de reborde inferior de metal

Materiales necesarios



Abrazadera de alivio de presión para conducto de 1/2"



Caja de conexión

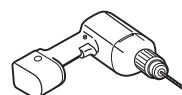


Cordón de 72" (183 cm)



Tuercas para alambres

Herramientas necesarios



Una broca de 1/8" (3 mm) para taladro eléctrico o manual



Alicates pelacables



Llave de tuercas de 7/16" (11 mm)



Destornillador de estrella #2

Instrucciones de instalación

INSTRUCCIONES DE SEGURIDAD IMPORTANTES

Para su seguridad

- Cerciórese de que su horno sea instalado adecuadamente por un instalador calificado o por un técnico de servicio.
- Cerciórese de que su horno esté firmemente instalado en un gabinete que esté firmemente adherido a la estructura de la casa. El peso sobre la puerta del horno podría causar que el horno se voltee resultando en lesiones. Nunca permita que nadie se suba, se siente, se pare o se cuelgue de la puerta del horno.
- Cerciórese de que los gabinetes y los revestimientos de la pared alrededor del horno puedan soportar las temperaturas (hasta 200°F [93,3°C]) generadas por el horno.



ADVERTENCIA: La energía eléctrica hacia la línea de suministro del horno debe ser desconectada mientras se hacen las conexiones. No hacer esto podría resultar en lesiones graves e incluso provocar la muerte.

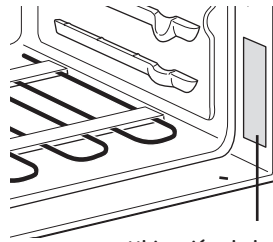
Requisitos eléctricos

Este aparato debe abastecerse con la frecuencia y el voltaje adecuados, y conectarse a un circuito eléctrico individual con conexión a tierra con protección de un fusible o interruptor automático. Consulte la placa de potencia ubicada en el marco del horno para determinar la potencia del producto. Utilice el cuadro a continuación para determinar la protección mínima recomendada para el circuito eléctrico especializado.

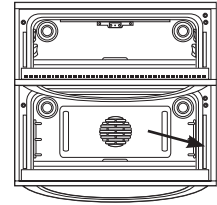
Potencia KW 240V	Potencia KW 208V	Recomendable Tamaño del circuito (Especializado)
≤4,8 KW	≤4,1 KW	20 Amp
4,9 KW-7,2 KW	4,3 KW-6,2 KW	30 Amp
7,3 KW-9,6 KW	6,3 KW-8,3 KW	40 Amp
9,7 KW-12,0 KW	8,4 KW-10,4 KW	50 Amp

Requisitos eléctricos

La placa de potencia se encuentra en la moldura lateral del horno, el marco lateral frontal del horno o el marco frontal inferior del horno.



Ubicación de la placa de potencia



Recomendamos que el cableado y la conexión eléctrica de su horno los realice un electricista calificado. Después de la instalación, solicite al electricista que le indique cómo desconectar la energía de la cocina.

Consulte con su compañía de servicios local para obtener los códigos eléctricos que sean aplicables en su área. No hacer el cableado de su horno de manera apropiada, respetando los códigos vigentes, podría resultar en condiciones peligrosas. Si no existen códigos locales, su aparato debe usar un cableado y fusibles que cumplan con los requisitos del Código Eléctrico Nacional, ANSI/NFPA No. 70-Última edición. Usted puede obtener una copia de este código disponible en National Fire Protection Association (Asociación Nacional de Protección contra Incendios).

A partir del 1ro. de enero de 1996, el Código Eléctrico Nacional requiere que todas las construcciones nuevas, pero no existentes, usen una conexión de 4 conductores hacia cualquier horno eléctrico. Cuando instale un horno eléctrico en una construcción nueva, casa móvil, vehículo de recreación o un área donde los códigos locales prohíban la conexión a tierra a través del conductor neutro, siga las instrucciones en la Sección CONSTRUCCIONES NUEVAS Y CONEXIONES DE CIRCUITOS RAMALES DE 4 CONDUCTORES.

Usted debe usar un sistema eléctrico de fase única de 120/208 VAC o 120/240 VAC de 60 hercios. Si hace una conexión a alambres de aluminio, debe usar conectores adecuadamente instalados que estén aprobados para ser utilizados con cableados de aluminio.

Instrucciones de instalación

✓ Lista de control antes de la instalación

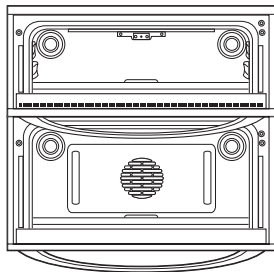
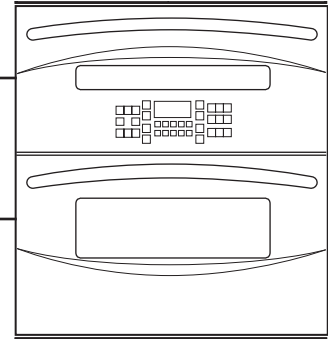
¡TODA LA INFORMACIÓN PARA LA INSTALACIÓN EN LAS PÁGINAS SIGUIENTES ES PARA SER USADA EN LA INSTALACIÓN DE HORNOS DE PARED SIMPLE/DOBLES.

¡NO LEVANTE LA PUERTA DE LA MANIJA!

✓ Retire los materiales de embalaje. Revise detrás de las bisagras y debajo del fondo falso. Retire las etiquetas de la puerta, el plástico de las reborde y panel, todas las cintas alrededor del horno.

Puerta superior
No quitar durante la instalación

Puerta inferior
No se requiere quitar para la instalación



Bandeja plana con manijas

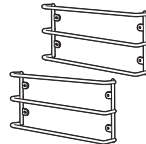
Bandeja plana sin manijas

Bandeja deslizable sin manijas

Sonda de temperatura



Paquete de instrucciones



Soportes de la bandeja con tornillos hexagonales

✓ Coloque el horno sobre la mesa o plataforma al nivel de la abertura del gabinete. La plataforma debe soportar 200 lbs. (91 Kg).

✓ Extraiga el reborde de metal de la parte superior del horno. La reborde de metal está envuelta por separado y pegada a la parte superior de la unidad. Se instalará antes de que la unidad se coloque por completo dentro del gabinete, a 4" fuera del gabinete.

✓ Abra la puerta del horno y extraiga el paquete de instrucciones y las parrillas del horno.

✓ Extraiga las instrucciones de instalación del paquete y léalas cuidadosamente antes de empezar la instalación.

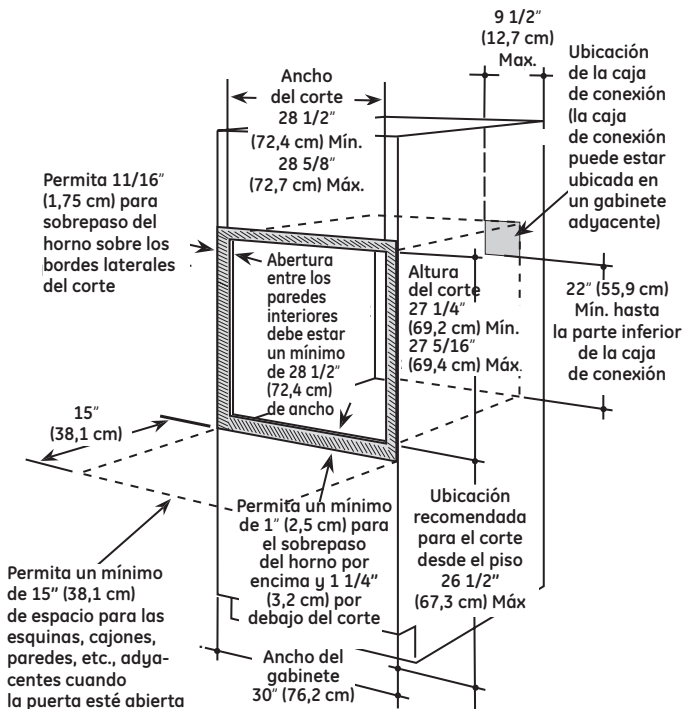
Ceróirse de guardar bien todas las instrucciones, Manual del propietario, Instalación, etc. para referencia en el futuro.

La puerta superior no debe removerse durante la instalación.

No se recomienda desmontar la puerta inferior. Si fuera necesario, consulte las instrucciones de remoción e instalación del apéndice.

Instrucciones de instalación

A Corte para los hornos simple/dobles de 30" (76,2 cm) solamente

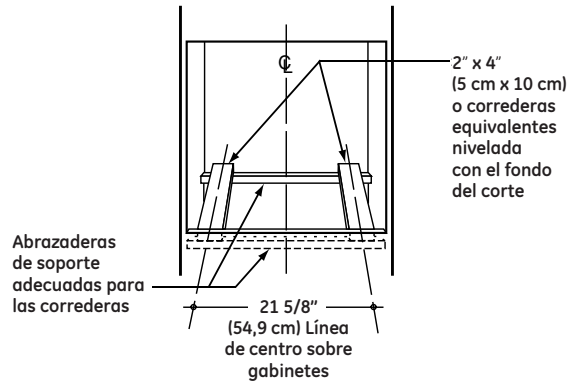


Ancho del gabinete	30" (76,2 cm)
Ubicación recomendada para el corte desde el piso	26 1/2" (67,3 cm)
Profundidad del corte	23 1/2" (59,7 cm) Mín.
Ancho del corte	28 1/2" (72,4 cm) Mín. 28 5/8" (72,7 cm) Máx.
Altura de corte	27 1/4" (69,2 cm) Mín. 27 5/16" (69,4 cm) Máx.

NOTA: Si el gabinete no tiene un marco frontal y los lados son menores de 3/4" (1,9 cm) en grosor, coloque ambos lados en línea para establecer el ancho del corte.

Si el gabinete no tiene un fondo sólido, entonces se deben instalar dos abrazaderas o correderas nivelada con el fondo del corte para sostener el peso del horno. Para hornos simple/dobles, las correderas o abrazaderas deben soportar 200 libras (91 Kg).

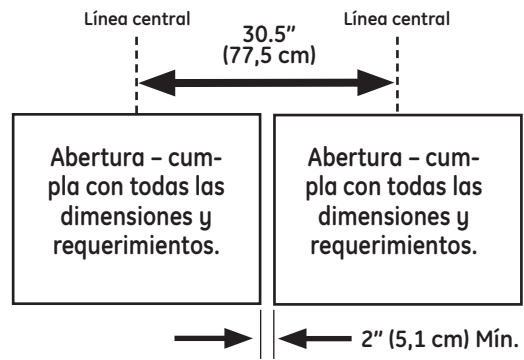
NOTA: Si las marcas, imperfecciones o la abertura del gabinete son visibles por encima del horno instalado, quizás sea necesario agregar relleno debajo de las correderas y reborde delantera hasta que se cubran.



Estos hornos no están aprobados para las instalaciones apilables.

Precaución: Los usuarios pueden quemarse cuando se usa un horno montado a una altura muy elevada. La altura de montaje recomendada se basa en un usuario con una altura de 5 pies.

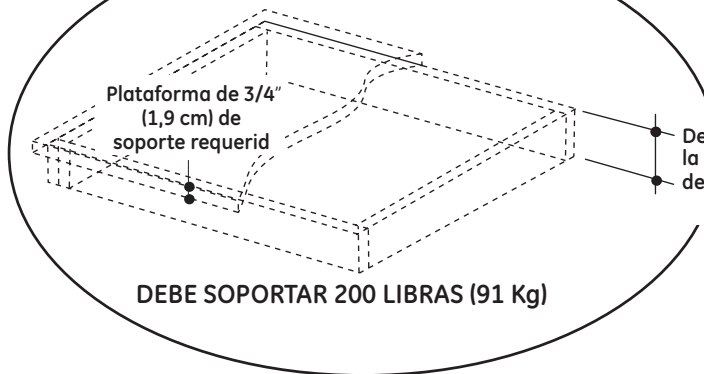
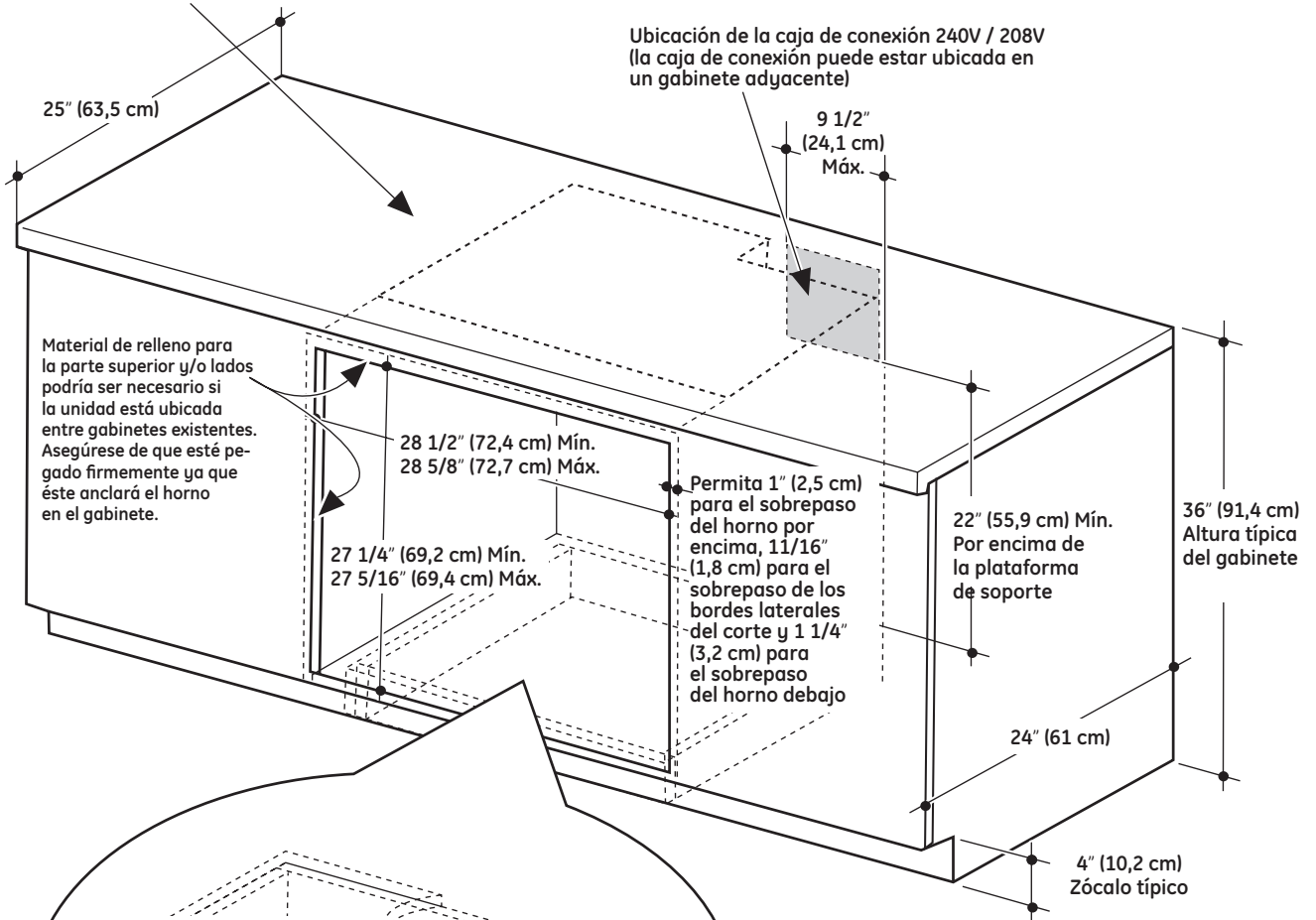
Instalaciones de lado a lado
Instale dos hornos de pared en aberturas separadas.



Instrucciones de instalación

A Corte para los hornos simple/dobles de 30" (76.2 cm) – debajo de la superficie del gabinete

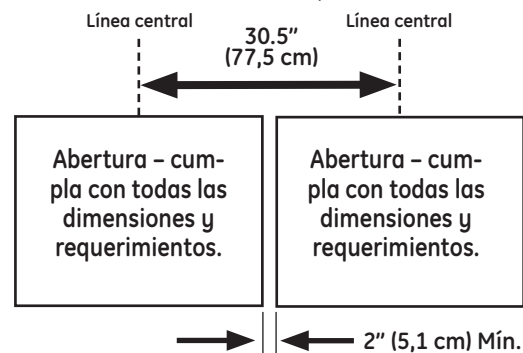
Topes eléctricos de cocina se pueden instalar sobre este horno. Consulte las instrucciones de la estufa para el tamaño del corte. Consulte la etiqueta encima del horno para los modelos de estufas aprobados.



NOTA: Este horno está aprobado sólo para instalarse bajo los modelos específicos indicados en esta unidad.

Debe equiparar la altura del zócalo

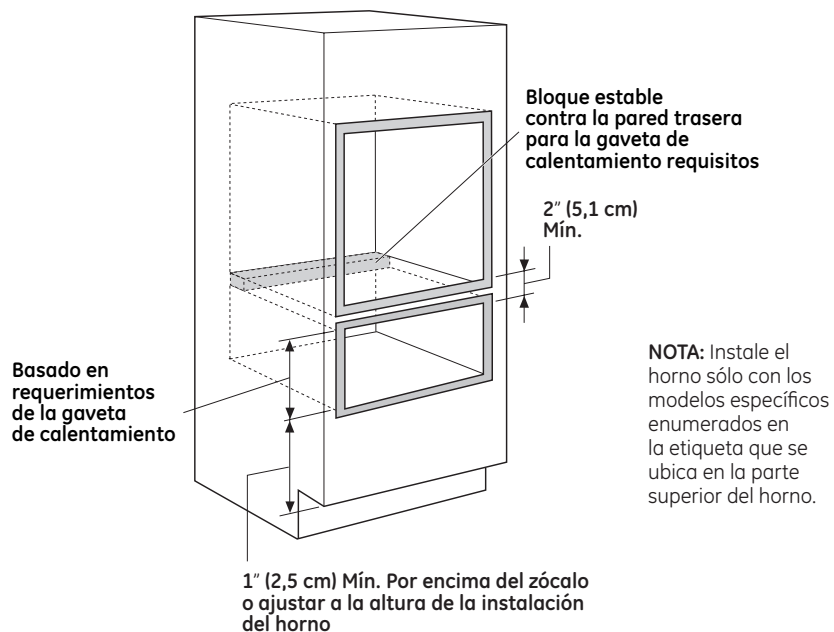
Instalaciones de lado a lado
Instale dos hornos de pared en aberturas separadas.



Gabinetes

A Abertura para hornos simple/dobles de 30" (76,2 cm) empotrados Sobre una gaveta de calentamiento

Horno individual de 30" (76,2 cm) sobre una gaveta de calentamiento

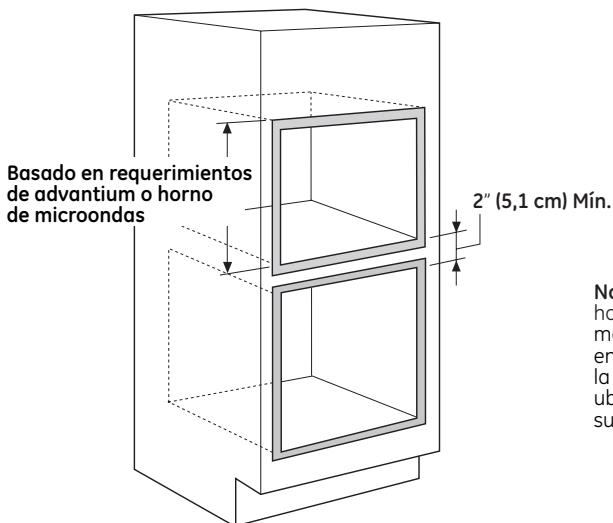


NOTA: Puede necesitarse una separación adicional entre las aberturas. Verifique para asegurarse de que los apoyos del horno por encima de la ubicación de la gaveta de calentamiento no dificulten la profundidad y altura interior requerida.

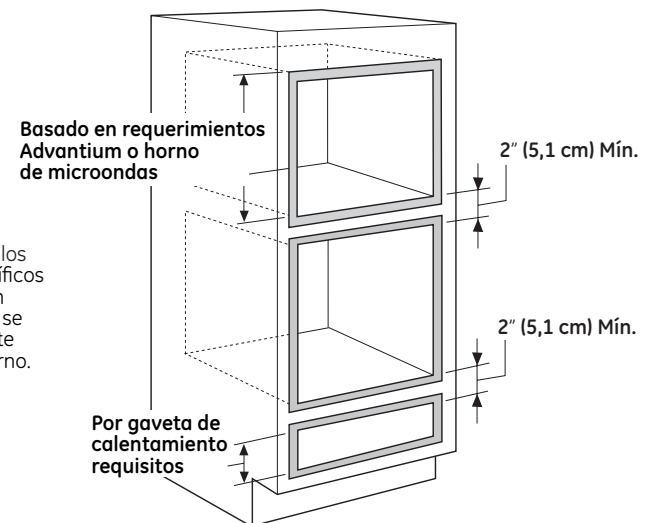
Gabinetes

A Abertura para hornos simple/dobles de 30" (76,2 cm) Debajo de un Advantium o de un horno de microondas o Entre un horno Advantium o un horno de microondas y Gaveta de calentamiento

Horno individual de 30" (76,2 cm) debajo de un horno Advantium o un horno de microondas



Horno individual de 30" (76,2 cm) Entre un horno Advantium o un horno de microondas y una gaveta de calentamiento



Nota: Instale el horno sólo con los modelos específicos enumerados en la etiqueta que se ubica en la parte superior del horno.

NOTA: El carril del medio que separa las dos aberturas pueden necesitar ser más grande que el de 2" (5,1 cm) mínimo que se muestra. Siempre consulte las instrucciones para la instalación que se remiten con cada producto para obtener los requisitos específicos.

Instalación para el horno combinado Advantium o horno de microondas y de pared:

Para la instalación en combinación con un horno individual de pared, utilice una caja de conexiones eléctricas separada.

- Consulte las instrucciones de instalación del horno Advantium o del horno de microondas para obtener los requisitos de ese producto.
- Un electricista autorizado debe realizar estas conexiones. Todas las conexiones eléctricas debe cumplir con las normas del Código Eléctrico Nacional o los códigos locales vigentes.

NOTA: Puede necesitarse una separación adicional entre las aberturas. Verifique para asegurarse de que los apoyos del horno por encima de la ubicación de la gaveta de calentamiento no dificulten la profundidad y altura interior requerida. El carril del medio que separa las dos aberturas pueden necesitar ser más grande que el de 2" (5,1 cm) de mínimo que se muestra. Siempre consulte las instrucciones para la instalación que se remiten con cada producto para obtener los requisitos específicos.

Gaveta de calentamiento combinada con Advantium o horno de microondas y horno individual:

Instale un receptáculo separado de 120V, 60Hz, adecuadamente con conexión a tierra. Consulte las instrucciones de instalación remitidas con cada producto para obtener los requisitos específicos.

Instrucciones de instalación

B Conexiones eléctricas

ATENCIÓN AL INSTALADOR:

Todos los hornos eléctricos de pared deben ser cableados directamente en una caja de conexión. Un "enchufe-receptáculo" NO ES permitido en estos productos.

NO acorte el conducto flexible. La abrazadera para controlar la presión debe estar firmemente adherida a la caja de conexión y el conductor flexible debe estar firmemente adherido a la abrazadera. Si el conducto flexible no se ajusta al interior de la abrazadera, no instale el horno hasta que obtenga el tamaño apropiado.

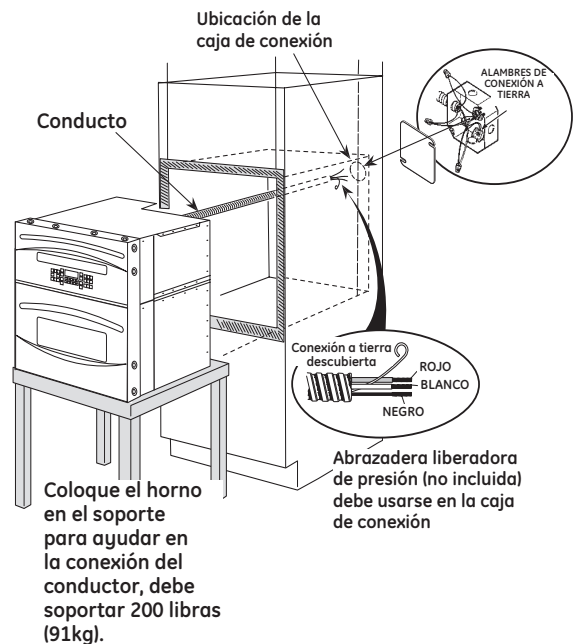
NOTA AL ELECTRICISTA: Los 3 alambres eléctricos proporcionados con este aparato son reconocidos por la UL para conexiones a cableado residencial de mayor calibre. El aislante de estos 3 alambres supera las especificaciones de temperatura indicadas para cableado residencial. La capacidad actual de conducción del cable depende del calibre del cableado y de la clasificación de la temperatura del aislamiento alrededor del alambre.



ADVERTENCIA: Una conexión inapropiada del cableado de aluminio residencial con cobre, podría resultar en un peligro eléctrico o hasta en incendio. Use solamente conectores diseñados para unir cobre con aluminio y siga las recomendaciones del fabricante con mucho cuidado.

B1 Desconecte el interruptor del circuito o retire los fusibles que alimentan el circuito ramal del horno.

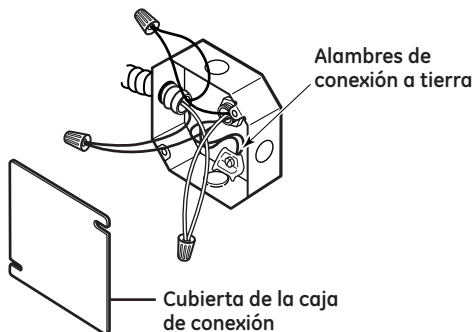
B2 Con el horno enfrente de la abertura del gabinete, sobre una mesa o plataforma conecte el conducto flexible a la caja de conexión como se muestra en la figura. Coloque el conducto de manera que quede apoyado sobre la parte superior del horno en forma de bucle natural cuando se instale el horno. Usted necesitará comprar una abrazadera liberadora de presión para completar la conexión del conducto hacia la caja de conexión.



Instrucciones de instalación

B3 Conexión para nueva construcción y de circuito ramal de cuatro conductores

- Cuando se instale en una construcción nueva, o
 - Cuando se instale en una casa móvil, o
 - Al instalar en un vehículo de recreación, o
 - Cuando los códigos locales no permitan hacer conexión a tierra a través de un cable neutro:
- a. Corte la punta del alambre neutro (blanco) del empalme. Pele la punta del alambre neutro (blanco) hasta exponer la extensión apropiado del conductor.

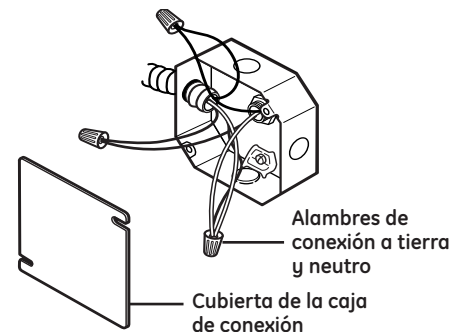


- b. Conecte el alambre de conexión a tierra (verde o cobre descubierto) de acuerdo a los códigos locales. Si el conductor de conexión a tierra de la residencia es de aluminio, consulte la ADVERTENCIA en la página 8.
- c. Conecte el alambre neutro del horno (blanco) al circuito ramal neutro (blanco o gris) de acuerdo con los códigos locales, usando una tuerca para alambres.
- d. Conecte el alambre rojo del horno al alambre rojo del circuito y el alambre negro del horno al alambre negro del circuito de acuerdo con los códigos locales, usando las tuercas para alambres. Si los alambres rojos, negros o blancos de la residencia son conductores de aluminio, consulte la ADVERTENCIA en la página 8.
- e. Instale la cubierta de la caja de conexión.

B4 Conexión de circuito ramal de tres conductores

Cuando conecte un circuito ramal de 3 conductores, si los códigos locales lo permiten:

- a. Conecte el alambre descubierto del horno con el alambre neutro (blanco) del circuito ramal (blanco o gris), usando una tuerca para alambres.



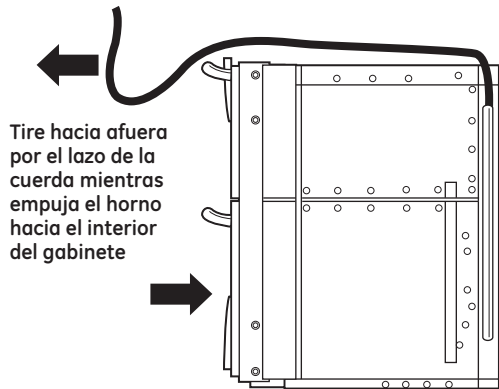
- b. Conecte el alambre rojo del horno al alambre rojo del circuito ramal, usando una tuerca para alambres.
- c. Conecte el alambre negro del horno al alambre negro del circuito ramal de acuerdo a los códigos locales, usando una tuerca para alambre. Si los alambres rojos, negros o blancos de la residencia son conductores de aluminio, consulte la ADVERTENCIA en la página 8.
- d. Instale la cubierta de la caja de conexión.

Instrucciones de instalación

C Posición firme del horno en la abertura

C1 Cómo deslizar el horno en el interior de la abertura

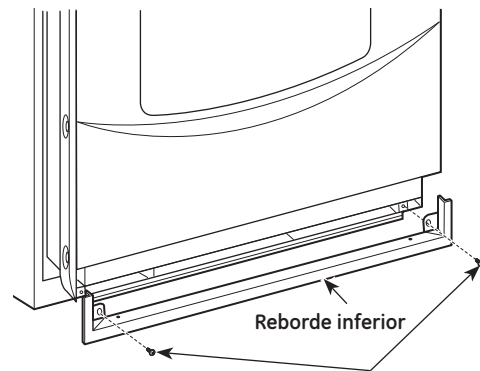
- a. Coloque (**sin atar**) una cuerda de 72" (183 cm) alrededor del conductor antes de deslizar el horno en su lugar. Esto evitará que el conducto se caiga detrás del horno.



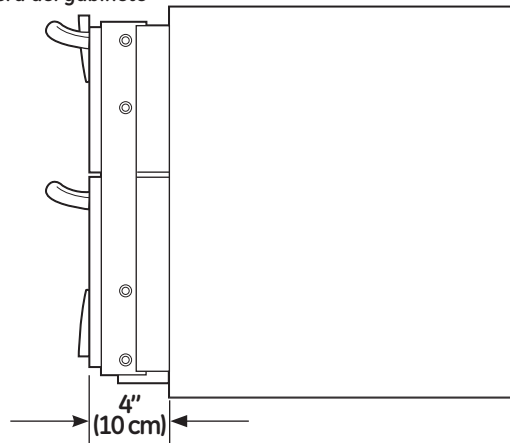
- b. Levante el horno hacia el interior del corte en el gabinete usando la abertura del horno para agarrarlo. Empuje contra el marco frontal del horno cuidadosamente. No empuje contra los bordes externos.
- c. A medida que el horno se desliza hacia atrás, tire de la cuerda para que el conducto quede encima del horno de forma natural.
- d. Cuando esté seguro de que el conducto está fuera del camino, deslice el horno 3/4 del trayecto hacia atrás y hacia el interior de la abertura. Retire la cuerda halando de un extremo.

C2 Cómo taladrar los orificios piloto y montar el horno

- a. Coloque el reborde de metal inferior debajo del separador de aire, con el costado alineado con el reborde lateral. Haga esto con la unidad a 4" (10 cm) fuera del gabinete.
- b. Utilizando los dos tornillos de reborde provistos, fije el reborde inferior al montaje del conducto inferior.



Instale el reborde inferior con la unidad 4" (10 cm) fuera del gabinete



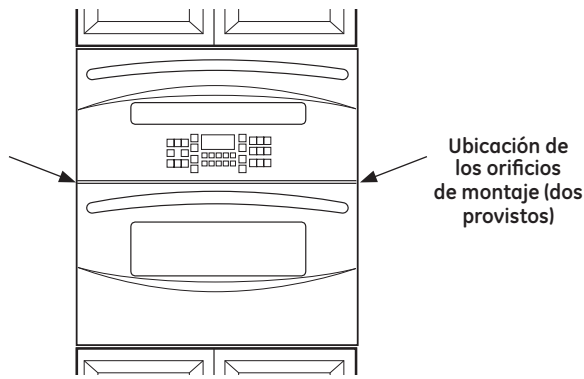
IMPORTANTE: Si esta unidad alguna vez se quita del gabinete o el horno se retira para efectuar mantenimiento, tire de la unidad 4" y saque el reborde inferior. Esto evitará daños al reborde.

Instrucciones de instalación

C3 Cómo taladrar los orificios piloto y montar el horno

NOTA: Antes de perforar los orificios piloto, cerciőrese de que el horno se empujő hasta el fondo y de que estė centrado.

- a. Perfore a travės de los orificios de montaje de la moldura lateral, para los tornillos #8 que se proporcionan.



ADVERTENCIA:

Se deben usar tornillos de montaje. No hacerlo podría resultar en que el horno se caiga del gabinete, causando lesiones serias.

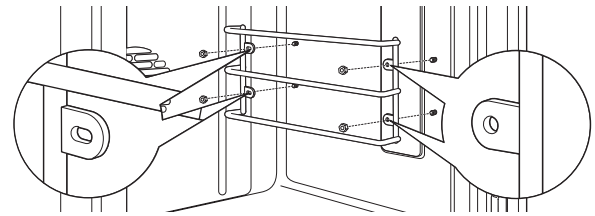
- b. Ajuste bien el horno al gabinete con los tornillos que se proporcionan.

NOTA: Si el gabinete es de tabla aglomerada debe usar tornillos #8 x 3/4". Los puede adquirir en cualquier ferretería.

C4 Cómo instalar los soportes de la bandeja y las bandejas del horno del horno inferior

Soportes de las bandejas del horno

Coloque el soporte de la bandeja con los orificios ranurados sobre los pernos traseros y los orificios redondos sobre los pernos frontales. Utilizando una llave de tuercas de 7/16" (11 mm), ajuste suavemente con cuatro tuercas, pero no ajuste de mäs porque el esmalte podría saltarse. Repita para el segundo soporte de la bandeja.



Orificios ranurados sobre pernos traseros

Orificios redondos sobre pernos frontales


Bandejas del horno:


Coloque la barra de bloqueo de la bandeja trasera sobre los soportes de la bandeja, deslice la bandeja hacia adentro hasta que la barra de bloqueo de la bandeja trasera caiga debajo de los soportes de la bandeja. Tire la de bandeja hacia adelante y verifique que la barra de bloqueo de la bandeja trasera estė sujeta debajo del soporte de la bandeja.


Instrucciones de instalación

Lista de control antes de la prueba


 Retire cualquier cinta de protección y etiqueta que todavía esté presente.


 Revise para asegurarse de que todos los alambres estén bien conectados y no aplastados o en contacto con partes móviles.


 Inspeccione la moldura de fondo para cerciorarse de que está instalada apropiadamente (ver página 11).


 Inspeccione para cerciorarse de que los tornillos de montura están instalados y apretados hasta quedar al mismo nivel de la moldura lateral (ver página 10).


Lista de control para la operación


 Retire cualquier artículo del interior del horno.

 Cerciórese de que el conducto está conectado firmemente a la caja de conexión eléctrica.

 Conecte la energía hacia el horno. (Consulte su Manual del propietario.) Verifique que las unidades de horneado y asado, y todas las funciones de cocción operan correctamente.

 Cerciórese de que el interruptor de circuito no se haya disparado o de que los fusibles de la casa no estén quemados.

 Consulte el manual del propietario para una lista de problemas eventuales.

 **NOTA AL ELECTRICISTA:** Los alambres eléctricos proporcionados con este aparato son reconocidos por la UL para conexiones cableado residencial de mayor calibre. El aislante de estos alambres supera las especificaciones indicadas para cableado residencial. La capacidad actual de conducción del cable depende de la clasificación de la temperatura del aislamiento alrededor del alambre.

NOTA: CABLEADO DE ALUMINIO

A. ADVERTENCIA:
UNA CONEXIÓN INAPROPIADA DEL CABLEADO DEL ALUMINIO RESIDENCIAL CON EL COBRE, PODRÍA RESULTAR EN PROBLEMAS SERIOS O EN INCENDIO.

B. Conecte los alambres de cobre a los alambres de aluminio usando conectores especiales diseñados y aprobados por UL para unir cobre y aluminio y siga cuidadosamente el procedimiento para hacer las conexiones recomendadas por el fabricante.

NOTA: El alambrado que se use, la ubicación y el tipo de conexión, etc., deben cumplir con las buenas prácticas de alambrado y los códigos locales.

Apéndice

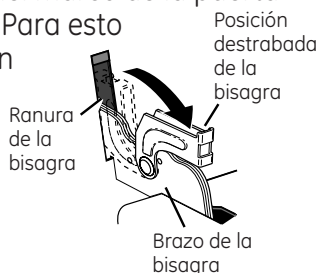
Instrucciones de instalación y de remoción de la puerta del horno inferior

CÓMO QUITAR LA PUERTA

No se recomienda quitar la puerta inferior para la instalación del producto.

1 Abra la puerta del horno en su totalidad.

2 Presione ambas trabas de la bisagra hacia abajo en dirección del marco de la puerta hasta destrabaras. Para esto puede hacer falta un destornillador de lados planos.

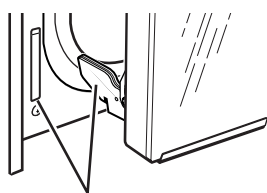


¡NO LEVANTE LA PUERTA DE LA MANIJA!

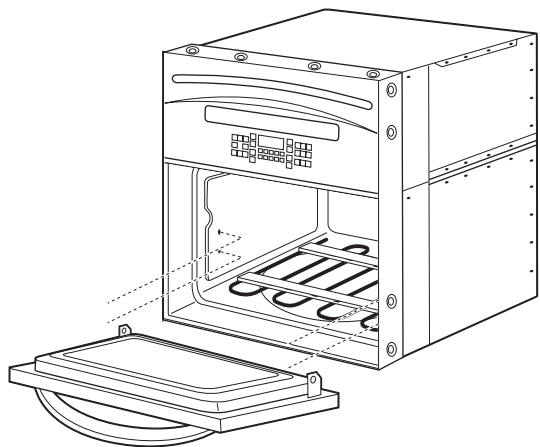
3 Coloque las manos en ambos lados de la puerta y cierre la puerta del horno hasta la posición de remoción, que es casi cerrada.



4 Levante la puerta hasta que los brazos de la bisagra hayan salido de las ranuras.



La bisagra sale de la ranura



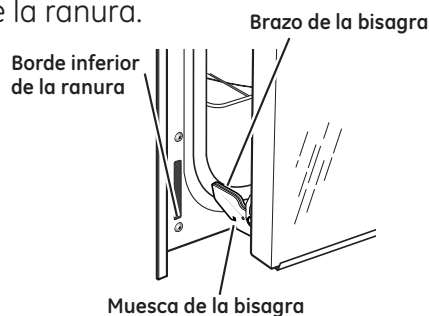
CÓMO REEMPLAZAR LA PUERTA

NOTA: La puerta del horno es pesada. Quizás necesite ayuda para levantar y deslizar la puerta hacia abajo sobre las bisagras. No levante la puerta por la empuñadura.

1 Levante la puerta del horno colocando una mano en cada lado. La puerta es pesada y quizás necesite ayuda. No levante la puerta por la empuñadura.



2 Con la puerta en el mismo ángulo que la posición para remoción, que está cerrado la mayor parte del tiempo, coloque la muesca del brazo de la bisagra en el interior del borde inferior de la ranura de la bisagra. La muesca del brazo de la bisagra debe apoyarse completamente al fondo de la ranura.

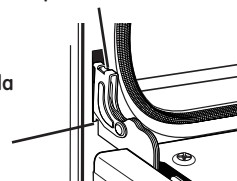


3 Abra la puerta del horno hasta el máximo.

4 Empuje los toques de las bisagras contra el marco frontal de la cavidad del horno, hasta alcanzar la posición de cierre.

Bisagra en la posición de cierre

Muesca de la bisagra ajustada firmemente en el fondo de la ranura de la bisagra



5 Cierre la puerta del horno.

Notas
