

COMBINATION INSTALLATIONS



ETT/MET Drop-In Electric Cooktop, ERV/PRV Raised Vent, Single Wall Oven

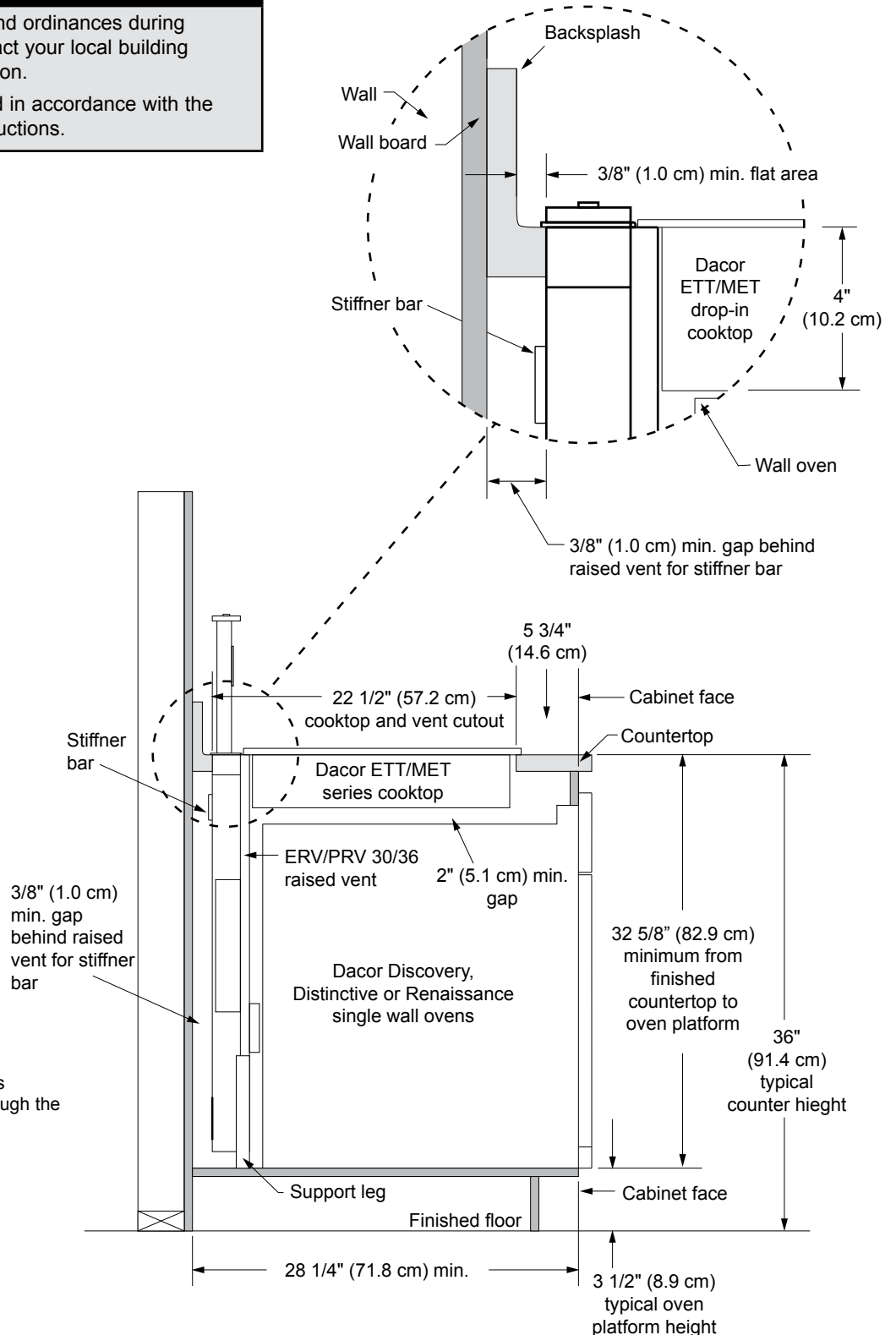
PLANNING GUIDE



WARNING

- Observe all governing codes and ordinances during planning and installation. Contact your local building department for further information.
- All appliances must be installed in accordance with the accompanying installation instructions.

All tolerances: +1/16" (+1.6 mm), -0, unless otherwise stated



Allow for the raised vent's 3 1/4" X 10" exhaust through the bottom, rear or side.

CUTAWAY SIDE VIEW