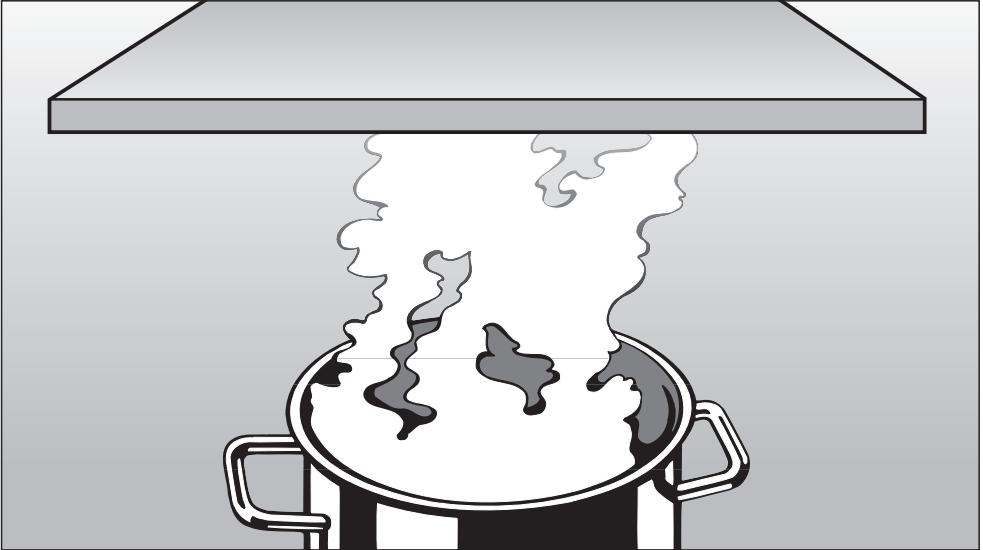


# Miele

## Operating and Installation Instructions



## Ventilation System DA 5190 W

To prevent accidents  
and appliance damage,  
read these instructions

**before**

installation or use.

en - US, CA

M.-Nr. 07 787 390

# Contents

---

<b>IMPORTANT SAFETY INSTRUCTIONS</b> . . . . .	3
<b>Functional description</b> . . . . .	7
<b>Guide to the Ventilation System</b> . . . . .	8
<b>Operation</b> . . . . .	10
Turning on the fan . . . . .	10
Selecting the power level. . . . .	10
Delayed Shut Down . . . . .	12
Turning off the fan . . . . .	12
Turning the lighting on/off . . . . .	13
Dimming the lighting . . . . .	13
Grease filter timer . . . . .	14
<b>Cleaning and Care</b> . . . . .	17
Cleaning the casing . . . . .	17
Grease filter . . . . .	18
Active charcoal filter . . . . .	20
Changing the light bulbs . . . . .	21
<b>After Sales Service</b> . . . . .	22
<b>Installation instructions</b> . . . . .	23
<b>Caring for the environment</b> . . . . .	25
<b>Appliance dimensions</b> . . . . .	26
Distance between cooktop and hood (S) . . . . .	27
<b>Plywood backing</b> . . . . .	29
<b>Installation</b> . . . . .	30
Installation instructions . . . . .	32
Dismantling . . . . .	32
<b>Air extraction</b> . . . . .	33
<b>Electrical connection</b> . . . . .	35
<b>Technical data</b> . . . . .	36

# IMPORTANT SAFETY INSTRUCTIONS

## READ AND SAVE THESE INSTRUCTIONS

Keep these instructions in a safe place and pass them on to any future user.

Read these instructions carefully before installing or using the Ventilation System.

- ▶ This appliance is intended for residential use only. Use the appliance only for its intended purpose.
- ▶ This appliance complies with current safety requirements. Improper use of the appliance can lead to personal injury and material damage.

**⚠ CAUTION**  
**For General Ventilating Use Only. Do Not Use To Exhaust Hazardous Or Explosive Materials And Vapors.**

- ▶ This appliance is designed to vent cooking smoke and odors only.
- ▶ This appliance is suitable for installation above gas or electric cooking surfaces.
- ▶ This appliance is not designed for maritime use or for use in mobile installations such as recreational vehicles or aircraft. However, under certain conditions installation in these applications may be possible. Please contact your Miele dealer or the Miele Technical Service Department with specific requirements.

**⚠ WARNING**  
**TO REDUCE THE RISK OF FIRE, ELECTRIC SHOCK, OR INJURY TO PERSONS, OBSERVE THE FOLLOWING:**

- ▶ a) Use this appliance only in the manner intended by the manufacturer. If you have questions, contact Miele.
- ▶ b) Before servicing or cleaning the appliance, switch power off at the service panel and lock the service disconnecting means to prevent power from being switched on accidentally. If the service disconnecting means cannot be locked, securely fasten a prominent warning device, such as a tag, to the service panel.
- ▶ c) Be certain your appliance is properly installed and grounded by a qualified technician. To guarantee the electrical safety of this appliance, continuity must exist between the appliance and an effective grounding system. It is imperative that this basic safety requirement be met. If there is any doubt, have the electrical system of the house checked by a qualified electrician.

# IMPORTANT SAFETY INSTRUCTIONS

---

▶ d) Before connecting the appliance to the power supply make sure that the voltage and frequency listed on the data plate correspond with the household electrical supply. This data must correspond to prevent appliance damage. If in doubt consult a qualified electrician.

▶ e) Installation work and repairs should only be performed by a qualified technician in accordance with all applicable codes and standards. Repairs and other work by unqualified persons could be dangerous.

▶ f) Only open the housing as described in the enclosed "Installation diagram" and in the "Cleaning and care" section of this manual. Under no circumstances should any other parts of the housing be opened. Tampering with electrical connections or components and mechanical parts is highly dangerous to the user and can cause operation faults.

▶ g) Before discarding an old appliance, disconnect it from the power supply and remove the power cord to prevent hazards.

## Use

### **WARNING** **TO REDUCE THE RISK OF A COOKTOP GREASE FIRE:**

▶ a) Never leave surface units unattended at high settings. Boilovers cause smoking and greasy spillovers may ignite. Heat oils slowly on low or medium settings.

▶ b) Always turn the hood on when cooking at a high heat.

▶ c) Clean the ventilation hood frequently. Grease should not be allowed to accumulate on the fan or filter.

▶ d) Use the proper pan size. Always use cookware appropriate for the size of the cooking area.

▶ e) Do not flambé or grill with an open flame beneath the hood. Flames could be drawn up into the hood by the suction and the grease filters may catch fire.

# IMPORTANT SAFETY INSTRUCTIONS

---

## **WARNING**

**TO REDUCE THE RISK OF INJURY TO PERSONS IN THE EVENT OF A COOKTOP GREASE FIRE, OBSERVE THE FOLLOWING\*:**

▶ a) **SMOTHER FLAMES** with a close fitting lid, cookie sheet, or metal tray then turn off the burner.

**BE CAREFUL TO PREVENT BURNS.** If the flames do not go out immediately, **EVACUATE AND CALL THE FIRE DEPARTMENT.**

▶ b) **NEVER PICK UP A FLAMING PAN** - You may be burned.

▶ c) **DO NOT USE WATER**, including wet dishcloths or towels - a violent steam explosion will result.

▶ d) Use a fire extinguisher **ONLY** if:

1) You have a class ABC extinguisher, and you know how to operate it.

2) The fire is small and contained in the area where it started.

3) The fire department is being called.

4) You can fight the fire with your back to an exit.

\* Based on "Kitchen Firesafety Tips" published by NAFTA

▶ Do not allow children to play with or operate the appliance or its controls. Supervise its use by the elderly or infirm.

▶ Always turn on the hood when using the cooktop to prevent damage from condensation.

▶ Never operate gas burners without cookware. Turn the burner off when not in use. Adjust the burner so that the flames do not extend beneath the cookware. Do not overheat the cookware, e.g. when using a wok. The hood can be damaged due to excessive heat from the burners and the cookware.

▶ Do not use the hood without the grease filters in place.

▶ Do not use a steam cleaner to clean the hood. Steam could penetrate electrical components and cause a short circuit.

# IMPORTANT SAFETY INSTRUCTIONS

---

## Installation

**⚠ WARNING**  
**TO REDUCE THE RISK OF**  
**FIRE, ELECTRIC SHOCK, OR**  
**INJURY TO PERSONS,**  
**OBSERVE THE FOLLOWING:**

- ▶ a) Installation work and electrical wiring must be done by qualified person(s) in accordance with all applicable codes and standards, including fire-rated construction.
- ▶ b) Sufficient air is needed for combustion and exhausting of gases through the flue (chimney of fuel burning equipment to prevent back drafting. Follow the heating equipment manufacturer's guideline and safety standards such as those published by the National Fire Protection Association (NFPA) and the American Society for Heating, Refrigeration and Air Conditioning Engineers (ASHRAE), and the local code authorities.
- ▶ c) When cutting or drilling into the wall or ceiling, do not damage electrical wiring and other hidden utilities.
- ▶ d) Ducted hoods must always be vented to the outdoors.
- ▶ e) Do not use this hood with any solid-state speed control device.
- ▶ f) Do not use an extension cord to connect the appliance to electricity. Extension cords do not guarantee the required safety of the appliance, (e.g. danger of overheating).

▶ g) Do not install this hood over cooktops that burn solid fuel.

▶ h) Provided a larger distance is not given by the manufacturer of the cooktop, follow the minimum safety distances between a cooktop and the bottom of the hood given in the "Appliance dimensions" section of this manual.

If local building codes require a greater safety distance, follow their requirement.

If there is more than one appliance beneath the hood and they have different minimum safety distances always select the greater distance.

▶ i) Never connect an exhaust hood to an active chimney, dryer vent, vent flue, or room ventilating ductwork.

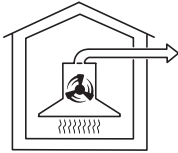
▶ j) Seek professional advice before connecting an exhaust hood vent to an existing, inactive chimney or vent flue.

▶ k) Any fittings, sealant, or materials used to install the ductwork must be made of approved non-flammable materials.

**⚠ WARNING**  
**TO REDUCE THE RISK OF**  
**FIRE USE ONLY METAL**  
**DUCTWORK.**

The ventilation hood offers two modes of operation:

## Air extraction



The air is drawn in and cleaned by the grease filter and directed outside.

The hood comes equipped with a **non-return flap**. This flap automatically closes when the hood is turned off so that no exchange of outside air and room air can occur.

When the hood is turned on, the air pressure of the exhaust fan automatically opens the flap blowing the inside air and cooking odors outside.

## Recirculation mode

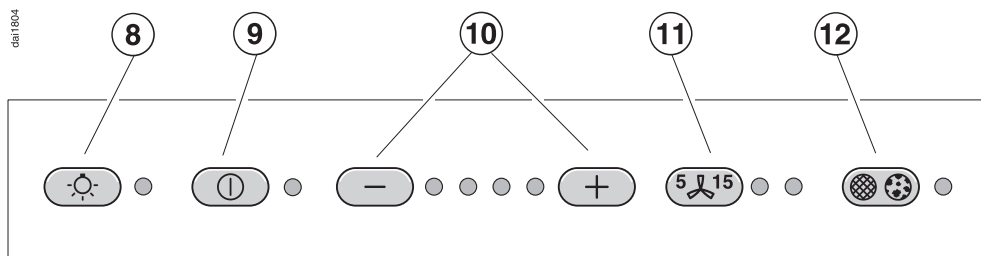
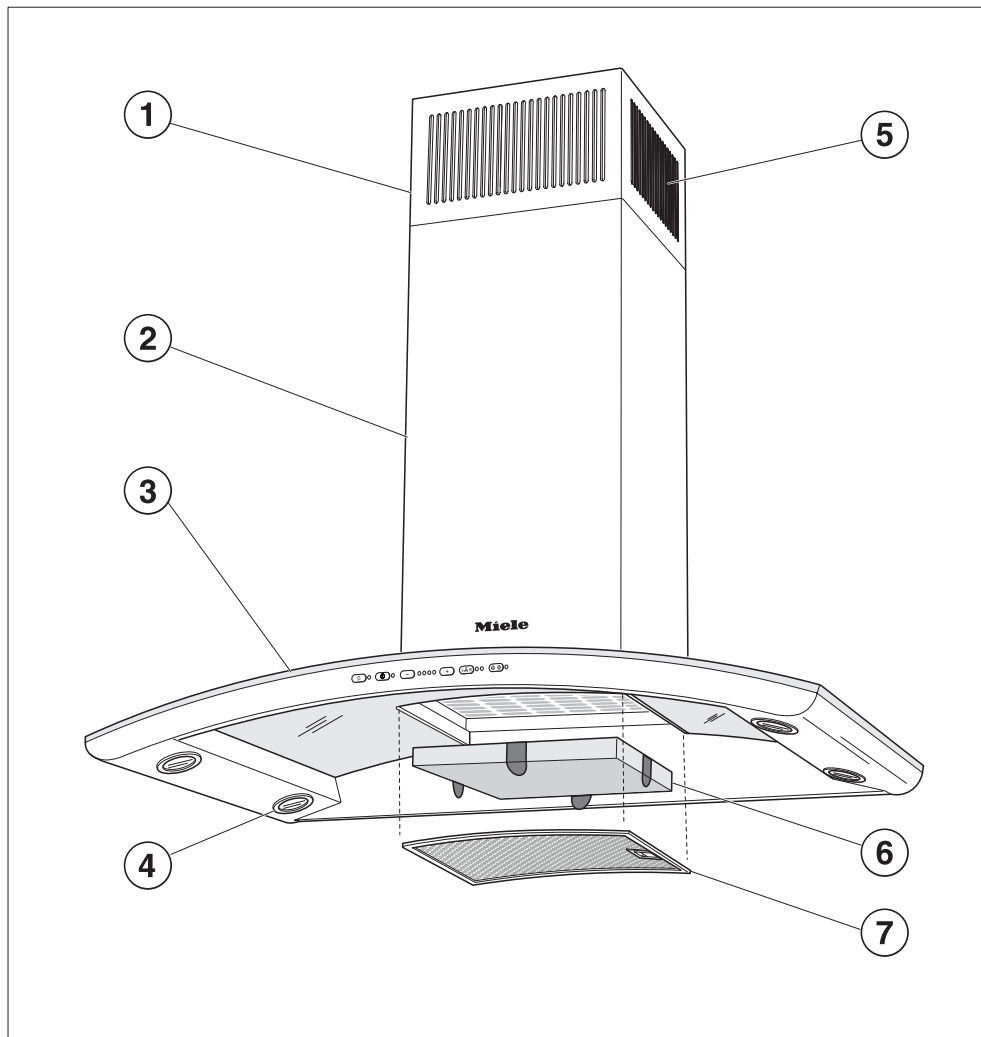


Air is drawn through the grease filter and **active charcoal filter**. The filtered air is then recirculated back into the kitchen through a vent at the top of the hood's chimney.

The active charcoal filter and the installation kit may be purchased from your Miele.

Before using the hood in recirculation mode, ensure that the active charcoal filter is in place, see "Cleaning and Care".

# Guide to the Ventilation System



da11804

## ① Chimney extension

## ② Chimney

## ③ Canopy

## ④ Overhead lighting

## ⑤ Recirculation vent

(only in recirculation mode)

## ⑥ Active Charcoal Filter

Available to purchase, for use in the recirculation mode.

## ⑦ Grease filter

## ⑧ Light button

## ⑨ On/Off button

## ⑩ Fan power selection

## ⑪ Delayed shut down

This button activates the Delayed Shut Down feature. The fan can be set to turn off automatically after either 5 or 15 minutes.

## ⑫ Grease and charcoal filter button

The filter indicator light lights **red** when the grease filter needs to be cleaned.

The indicator light lights **blue** when the active charcoal filter needs to be changed.

The charcoal filter is only used in recirculation mode.

The charcoal filter timer must be activated before the first use on the hood.

This button is also used:

- to reset the filter timer after cleaning the grease filter or changing the charcoal filter (see "Cleaning and Care").
- to show how long the filters have been in use (see "Operation / Filter timers").
- to change the number of hours counted by the filter timer (see "Operation / Reprogramming the filter timers").

# Operation

## Turning on the fan



- Press the On/Off button.



## Selecting the power level

- Use the "-/+ " controls to select the desired power level.

+ = increases the fan speed  
- = decreases the fan speed

Levels "1" to "3" are usually sufficient for normal cooking.

## Intensive setting

Level "4" should be used for a short period when frying or cooking food with a strong aroma.

## Automatically switching back the intensive power level

The intensive level "4" can be programmed to automatically switch back to level "3" after 10 minutes.

- Turn the fan and the lights off.



- Press and hold the Delayed Shut Down button at the same time for 10 secs. The first indicator lights.
- Press the following buttons one after another,



- light



- the "-" button, and



- the light button again.



If the power level indicators "1" and "4" flash, the automatic switch back is not activated.

- To activate the automatic switch back press the "+" button.

The power level indicators "1" and "4" light continuously.

- To deactivate press the "-" button.



- To save the setting press the "Delayed Shut Down" button.

If the procedure is not stored within 4 minutes of programming, the hood will automatically default to the "old" data.

## Fan performance

The maximum air flow capacity is 625 cfm. Factors such as narrow duct diameter and bends will affect this value.

Level 1 operates at 40% capacity

Level 2 operates at 60% capacity

Level 3 operates at 80% capacity

Level 4 operates at 100% capacity

# Operation

---

## Delayed Shut Down

If odors or smoke remain in the kitchen after cooking has been completed, the Delayed Shut Down feature can be selected to allow the hood to continue running for either 5 or 15 minutes. After that period of time the fan turns off automatically.



- Press the Delayed Shut Down button while the fan is still running.

Press once = 5 minute delay  
(left indicator lights)

Press twice = 15 minute delay  
(right indicator lights)

To cancel the feature press the Delayed Shut Down button again. The fan will not turn off automatically.

## Turning off the fan



- Press the On/Off button to turn the fan off.

The indicator goes out.

## Automatic Safety Shut Off

The fan will turn off automatically 10 hours after the last button was activated. The lighting however, will remain on.

- Press the On/Off button to turn the fan back on again.

## Turning the lighting on/off

The overhead lighting can be turned on and off independently of the fan.



- Press the light button **briefly** to turn on the lighting.

The light button indicator illuminates.

- Press the light button **briefly** again to turn off the lighting.

The light button indicator will go out.

## Dimming the lighting

The brightness of the lighting can be adjusted.

- While the lighting is turned on, press and hold the light button. The lighting will dim until the button is released.

- If the button is pressed again, the lighting will brighten until the button is released.

If the button is pressed continuously, the light will cycle between bright and dark.

- Press the light button again to turn off the lighting.

# Operation

## Grease filter timer

A timer monitors the hours of fan operation. The indicator for the grease/charcoal filter will light **red** after 30 hours of operation or the preselected time. The **grease filter** must then be cleaned. See "Cleaning and Care/Grease filter".

After the grease filter has been cleaned and put in place, the grease filter timer must be reset.



- To do this, press the grease/charcoal filter button for about 3 seconds while the fan is running.

The indicator will go out.

## Charcoal filter timer

Recirculation mode only

The timer for the charcoal filter is not preset. Please program this timer, see "Operation/Reprogramming the charcoal filter timer".

The charcoal filter indicator will light **blue** once the selected time has elapsed. The **charcoal filter** must then be replaced and the timer reset.



- To do this, press the grease/charcoal filter button for about 3 seconds.

The indicator will go out.

## Checking the filter timer

To check the percentage of time already used:



- Press the On/Off button to turn the fan on.

## For the grease filter timer



- Press and hold the grease/charcoal filter button. The indicator lights **red**.

## For the charcoal filter timer

- Press the grease/charcoal filter button twice and hold. The indicator lights **blue**.



The number of flashing "-/+ " indicators show the percentage of programmed hours that have been used.

- 1 indicator = 25 %
- 2 indicators = 50 %
- 3 indicators = 75 %
- 4 indicators = 100 %

This information will remain stored in memory in the event of a power failure.

## Reprogramming the grease filter timer

The grease filter timer is preset to 30 hours. This time can be lengthened or shortened to 20, 30, 40 or 50 hours.

- A time of 20 hours should be programmed in kitchens with frequent pan or deep frying.
- A time of 20 hours should also be programmed if the kitchen is only used occasionally to prevent grease which has accumulated over a long period of time from hardening on the filter, making cleaning more difficult.



- Press the On/Off button to turn off the fan.



- Press the Delayed Shut Down and grease/charcoal filter button at the same time.

The **red** indicator for the grease filter timer and one of the "-/+ " indicators will flash.



The lit "-/+ " indicator shows the programmed time:

- 1st indicator from the left = 20 hours
- 2nd indicator from the left = 30 hours
- 3rd indicator from the left = 40 hours
- 4th indicator from the left = 50 hours

- Use the "-/+ " button to select the desired time.



- Store the selection by pressing the grease/charcoal filter button.

If the procedure is not stored within 4 minutes of programming the hood will automatically default to the "old" data.

# Operation

## Reprogramming the charcoal filter timer

The active charcoal filter can only be used in recirculation mode and cannot be used to exhaust fumes.

The charcoal filter timer is **not preset**.

Before using the hood in recirculation mode, the charcoal filter timer must be programmed.



- Turn off the fan using the On/Off button.



- Press the "+" and the grease/charcoal filter buttons at the same time.

The **blue** indicator for the grease/charcoal filter and one of the "-/+" indicators will flash.



The lit indicator shows the programmed time:

- 1st indicator from the left = 120 hours
- 2nd indicator from the left = 180 hours
- 3rd indicator from the left = 240 hours
- 4th indicator from the left = endless

- Use the "-/+ " button to select the desired time.



- Store the selection by pressing the grease/charcoal filter button.

If the procedure is not stored within 4 minutes of programming, the hood will automatically default to the "old" data.

**⚠ WARNING**  
**TO REDUCE THE RISK OF**  
**FIRE, ELECTRIC SHOCK, OR**  
**INJURY TO PERSONS,**  
**OBSERVE THE FOLLOWING:**

Before cleaning or servicing the hood, disconnect it from the power supply, see "Important Safety Instructions".

## Cleaning the casing

Never use abrasive cleaners, scouring pads, steel wool or caustic (oven) cleaners on the hood. They **will** damage the surface.

- All external surfaces and controls can be cleaned with a mild solution of warm water and liquid dish soap applied with a soft sponge.
- Wipe dry using a soft cloth.

Only use a slightly damp sponge when cleaning the controls. Water could penetrate into the electronics and cause damage.

- Glass surfaces can be cleaned using glass cleaner.

Avoid:

- cleaning agents containing soda, acids, chlorides or thinners,
- abrasive cleaning agents e.g. powder or cream cleansers,
- abrasive sponges, e.g. pot scourers or sponges which have been previously used with abrasive cleaning agents,
- limescale removers.

These will damage the surface.

The following instructions for cleaning "Stainless steel" surfaces and "Stainless steel colored controls" should be followed **in addition to** the general "Cleaning the casing" instructions.

### Stainless steel

Stainless steel surfaces can be cleaned using a non-abrasive stainless steel cleaner.

To help prevent resoiling, a conditioner for stainless steel can also be used. Apply sparingly with even pressure.

### Stainless steel colored controls

These controls may become discolored or damaged if not cleaned regularly.  
Do not use a stainless steel cleaner on these controls.

# Cleaning and Care

## Grease filter

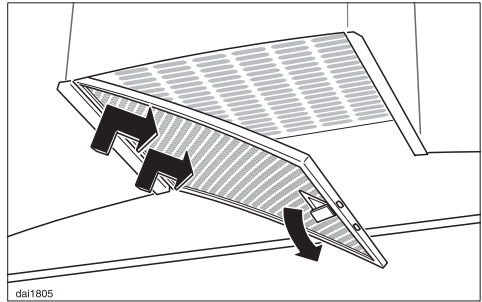
The reusable metal grease filter removes solid particles from the vented kitchen air (grease, dust, etc).



The grease filter should be cleaned every 3 - 4 weeks or whenever the grease filter indicator lights **red**.

 A dirty filter is a fire hazard.

## Removing the grease filter



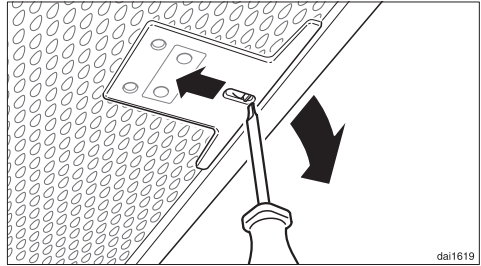
- To remove the grease filter pull the locking clip forward. Lower the filter 45° unhook it at the rear and take it out. Support the grease filter so that it does not fall onto the cooktop.

## Cleaning the grease filter

- **By hand:** use a scrub brush with a solution of warm water and mild detergent.  
Do not use pure detergent, aggressive all purpose cleaners, oven sprays, abrasive cleaning agents or limescale removers. They could destroy the filter.
- **In a dishwasher:** place the filter vertically in the lower basket, making sure that the spray arm is not blocked.  
Use a wash program with a max. temperature of 150°F (65°C). In a Miele dishwasher use the "Normal" program.  
Use the recommended amount of dishwasher detergent. Overuse could destroy the filter.

Depending on the detergent, cleaning the grease filter in a dishwasher may cause permanent discoloration of the filter surface. Performance of the filter will not be affected by this discoloration.

- After cleaning, the filter can be placed on a towel to air dry.
- While the filter is removed, clean any dirt or grease from the interior casing to prevent the risk of fire.
- When putting the grease filter back make sure that the locking clip is facing the cooking surface.



- If the filter is incorrectly installed, insert a small screwdriver into the slit along its edge to disengage it from the casing.
- After returning the grease filter, press the grease filter button for 3 seconds to reset the timer.  
The indicator light will go out.
- If the grease filter is cleaned **before** the grease filter timer has reached its maximum, the grease filter button should be pressed for 6 seconds to reset the counter to zero.

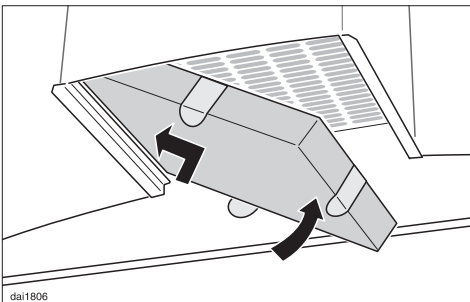
# Cleaning and Care

## Active charcoal filter

In recirculation mode an active charcoal filter must be used in addition to the grease filter. The charcoal filter is designed to absorb cooking odors. The active charcoal filter will be placed in the canopy above the grease filter.

Replacement active charcoal filters can be ordered from Miele.

- Remove the grease filter to access the charcoal filter. See "Cleaning and Care/Grease filter".



- Insert the charcoal filter.
- Reinsert the grease filter.

Before using:

- Program the charcoal filter timer, see "Operation/Reprogramming the charcoal filter timer".



Replace the active charcoal filter when the **grease/charcoal filter indicator** lights **blue**, at least every 6 months or when they no longer absorb odors efficiently.

- After replacing the charcoal filter, press the grease/charcoal filter button twice and hold for about 3 seconds to reset the charcoal filter timer. The indicator light will go out.
- If the charcoal filter is replaced before the timer has reached its maximum, press the grease/charcoal filter button twice and hold for 6 seconds to reset the counter to zero.

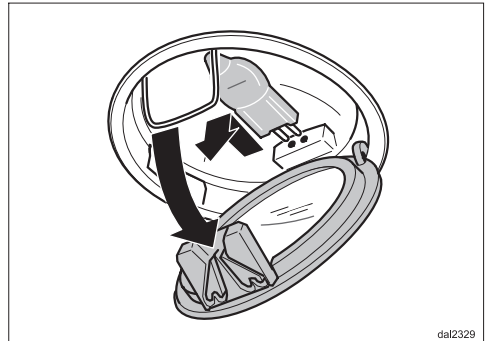
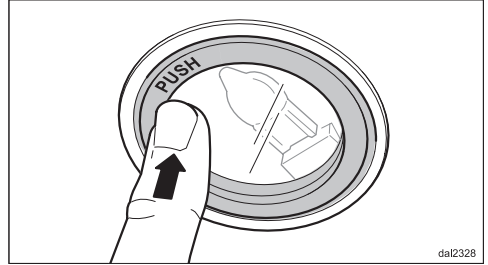
## Changing the light bulbs

**⚠ WARNING**  
**TO REDUCE THE RISK OF**  
**FIRE, ELECTRIC SHOCK, OR**  
**INJURY TO PERSONS,**  
**OBSERVE THE FOLLOWING:**

Before changing the light bulbs, disconnect the hood from the power supply, see "Important Safety Instructions".

When in use halogen bulbs become extremely hot, and can burn your hands. Do not attempt to change the bulbs until they have had sufficient time to cool.

Do not touch the bulb surface. Fingerprints or body oils deposited on the bulb will decrease its life. Please follow the manufacturer's instructions.



- To change the halogen bulb, first gently press the light cover. The cover will open and can now be flipped down.
- Pull the halogen bulb from its socket, then insert a new bulb.
- Flip the light cover back up, making sure it clicks into place.

# After Sales Service

---

## Repairs

In the event of a fault which you cannot easily fix yourself, please contact the Miele Technical Service Department.

- When contacting the Technical Service Department, please quote the model and serial number of your appliance.

These are shown on the data plate which is visible when the grease filters are removed.

## MieleCare

(USA only)

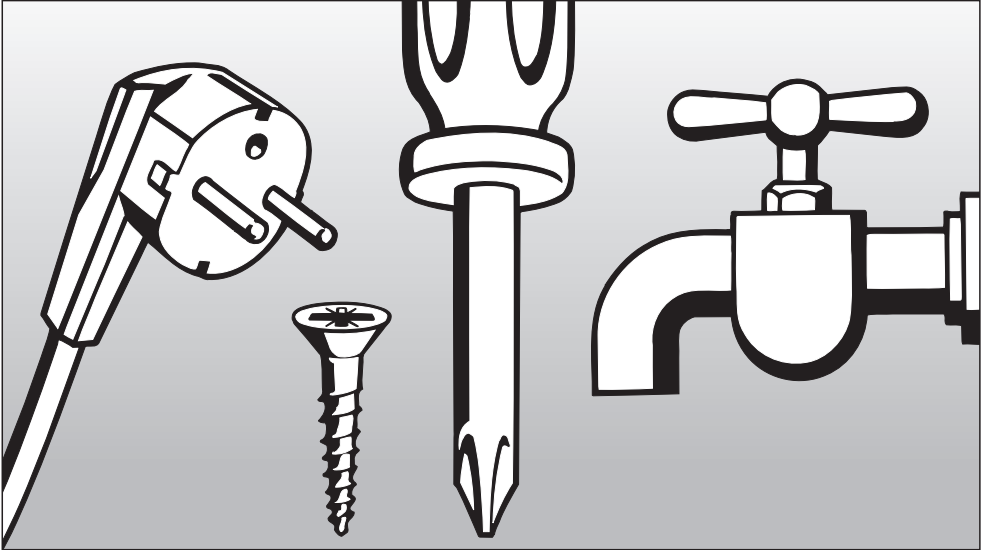
**MieleCare**, our Extended Service Contract program, gives you the assurance of knowing that your appliance investment is covered by 5 years of worry free ownership.

**MieleCare** is the only Extended Service Contract in the industry that guarantees repairs by a Miele Authorized Service Provider using genuine Miele parts. Only genuine Miele parts installed by factory trained professionals can guarantee the safety, reliability, and longevity of your Miele appliance.

Please note that unless expressly approved in writing by Miele's Service department, Extended Service Contracts offered by other providers for Miele products will not be recognized by Miele. Our goal is to prevent unauthorized (and untrained) service personnel from working on your Miele products, possibly doing further damage to them, you and/or your home.

To learn more about **MieleCare** Extended Service Contracts, please contact your appliance dealer or visit us online at:

<http://miele.com/mielecare>



## Installation Instructions

Read these instructions and the "Important Safety Instructions" before installing this hood.

The installation steps are described in the enclosed "Installation Diagram".

Leave these instructions with the appliance for the consumer/user.

Information is subject to change. Please refer to our website to obtain the most current product specification, technical & warranty information.



### Disposal of packing material

The cardboard box and packing materials protect the appliance during shipping. They have been designed to be biodegradable and recyclable. Please recycle.



#### **DANGER**

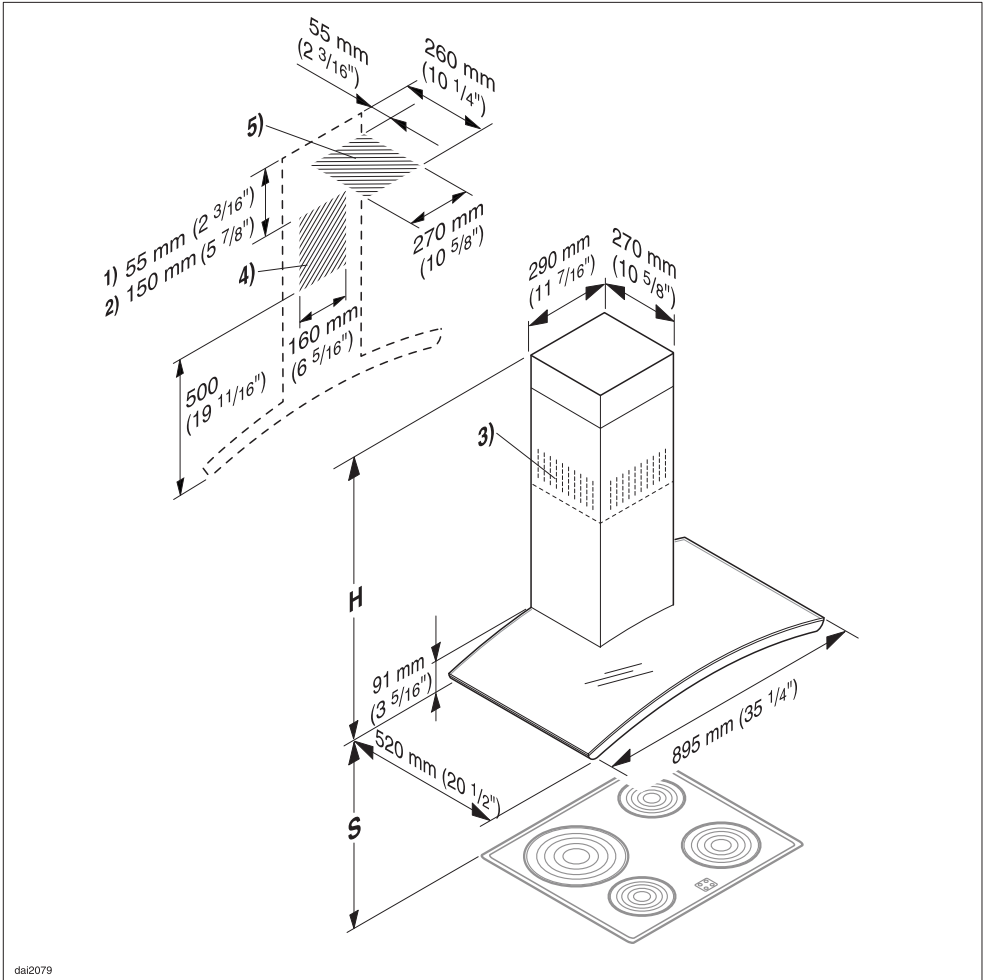
Ensure that any plastic wrappings, bags, etc., are disposed of safely and kept out of the reach of babies and young children. Danger of suffocation!

### Disposal of an old appliance

Old appliances may contain materials that can be recycled. Please contact your local recycling center about the possibility of recycling these materials.

Before discarding an old appliance, disconnect it from the electrical supply and cut off the power cord to prevent it from becoming a hazard.

# Appliance dimensions




dal2079

- 1) Air extraction mode
- 2) Recirculation mode
- 3) Recirculation vent installed upwards

4) and 5) Installation area  
Wall/ceiling area respectively for vent  
hole and outlet installation.  
**For recirculation mode** only 4)  
and only outlet installation.

# Appliance dimensions

 4) and 5)  
Cut-out area in wall or ceiling for entrance of 6" (150 mm) ductwork or 5" (125 mm) ductwork with a reducing collar.

The installation procedure differs depending on the model and venting method.

Before beginning the installation:

- Read all instructions.
- Determine height (**S**), regarding the user's body height, i.e. a comfortable height for the user.  
However, the greater the distance the less effectively cooking odors are drawn in.
- If the hood is fitted flush to the ceiling, regard the possible unit height when selecting the installation height.

## Standard unit height H

Air extraction . . . . . 28" - 40 <sup>3</sup>/<sub>8</sub>"  
. . . . . (710 - 1025 mm)

Recirculation . . . . . 33" - 45 <sup>11</sup>/<sub>16</sub>"  
. . . . . (840 - 1160 mm)

To fit the lower chimney section, the distance between the top of the chimney and the ceiling must be at least <sup>7</sup>/<sub>8</sub>" (20 mm).

# Appliance dimensions

## Distance between cooktop and hood (S)

Do not install this exhaust hood over cooktops burning solid fuel.

Provided a larger distance is not given by the manufacturer of the cooktop, follow the minimum safety distances between a cooktop and the bottom of the hood:

	<b>Miele Cooktops</b>	<b>Non-Miele Cooktops</b>
Electric Cooktops	24" (610 mm)	
Electric Barbeques and Fryers	26" (660 mm)	
Multiburner Gas cooktops ≤ 43,000 BTU (12.6 KW) and no burner > 15,000 BTU (4.5 KW)	26" (660 mm)	30" (760 mm)
Single burner (Wok) ≤ 20,500 BTU (6 KW)	26" (660 mm)	30" (760 mm)
All other gas cooktops	30" (760 mm)	

- If several gas surfaces are installed under the hood, the total output must be considered when determining the minimum safety distance.
- Be sure to follow the minimum safety distances given by the gas cooktop manufacturer to easily flammable materials e.g. upper cabinets.
- If local building codes require a greater safety distance, follow their requirement.
- If there is more than one appliance beneath the hood and they have different minimum safety distances always select the greater distance.

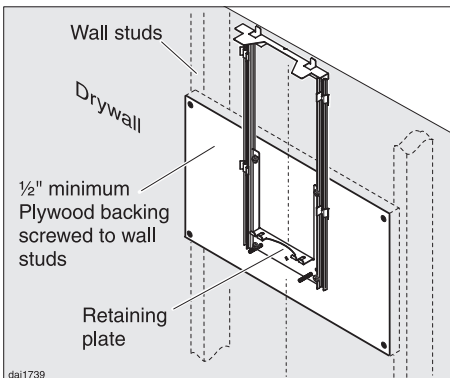
See "Important Safety Instructions" for further information.

## Plywood backing

The majority of the weight of the installed ventilation system will be supported by the lower retaining plate. It must be firmly attached to the stud framing **behind** the drywall. If studs are not available in the required locations, a plywood backing (min. 1/2" (13 mm) thick) spanning at least two studs **must** be installed. Failure to adequately support the weight as stated may result in the ventilation system falling off the wall, causing personal injury and property damage.

*(If plywood backing is not needed, proceed to the included "Installation diagram".)*

### To install a plywood backing



- Find the studs to the left and right of the mounting location by tapping the wall or using a stud finder.
- Mark a vertical cutting line along the center of each stud.

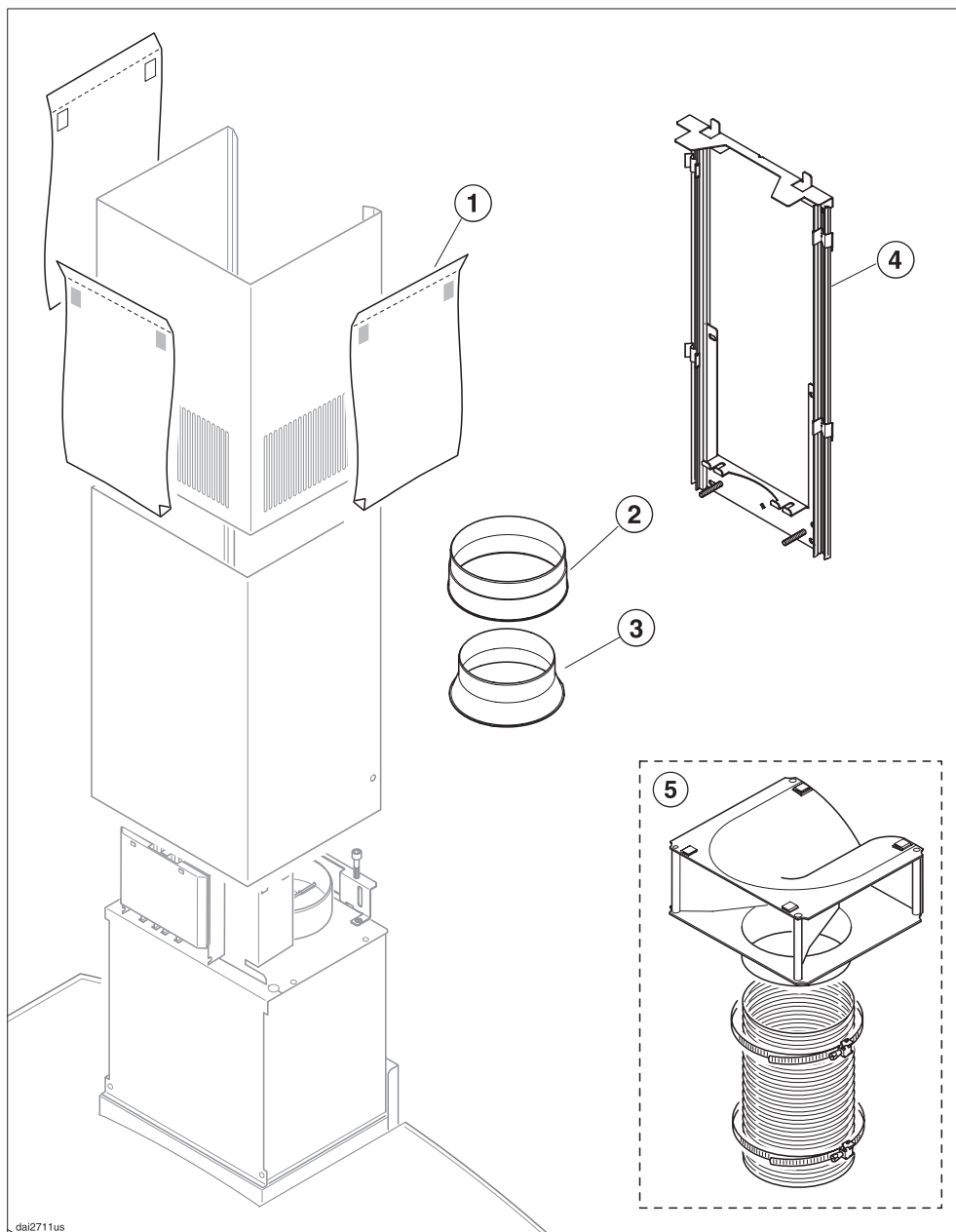
### CAUTION

When cutting or drilling into the wall or ceiling, do not damage electrical wiring and other hidden utilities.

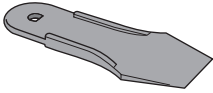
- Remove the drywall between the cutting lines and replace it with plywood of a matching thickness (min. 1/2" (13 mm) thick). Tape the joints and refinish the wall.
- Proceed to the enclosed "Installation diagram" to complete the installation.

- Determine and mark the location of the retaining plate for the canopy as outlined on the "Installation diagram".
- Make a cutting line 3" (76 mm) above and 3" (76 mm) below the outline of the retaining plate.

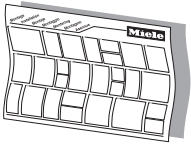
# Installation



- ① **3 protective shields**  
to prevent scratches to the chimney during installation.
- ② **1 vent collar**  
for use with 6" (150 mm) exhaust ducting
- ③ **1 reducing collar**  
for use with 5" (125 mm) exhaust ducting.
- ④ **Telescopic retaining plate** secures the chimney extension.
- ⑤ **Installation kit** for recirculation mode; contains diverter, hose and hose clips (optional accessory)



**1 lever** for dismantling the chimney

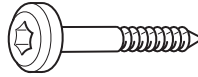


## Installation instruction diagram



### CAUTION

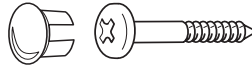
To avoid risk of hand or other injury, avoid contact with sharp edges during the assembly and installation process.



### 6 large headed screws 5 x 40 mm

for securing the retaining plates and the canopy

(S8 wall anchors included in the packaging are not for use in USA)



### 1 small headed screw 5 x 40 mm, 1 cap

for securing the canopy



### 2 M 6 locking nuts

for securing the unit



### 2 screws 3.9 x 7.5 mm

for securing the chimney

# Installation

---

## Protective film

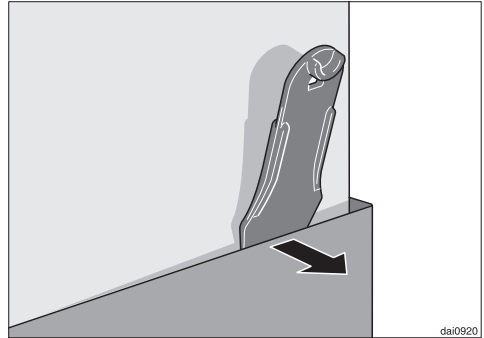
The casing is covered with a protective film to prevent scratching during transport.

- Peel off the film before installing the casing parts.

## Dismantling

If the hood needs to be disassembled, follow the instructions on the "Installation diagram" in the reverse order.

A lever is enclosed for easier removal of the chimney extension.



- After removing the screws from the chimney, slide the lever between the chimney and the chimney extension and gently apply pressure to ease the chimney from its hooks.

 **WARNING**

**Danger of toxic fumes.**

**Gas cooking appliances release carbon monoxide that can be harmful or fatal if inhaled.**

**To reduce the risk of fire and to properly exhaust air, the exhaust gases extracted by the hood should be vented outside of the building only.**

**Do not vent exhaust air into spaces within walls or ceilings or in attics, crawl spaces or garages.**

**To reduce the risk of fire, only use metal ductwork.**

Please read and follow the **"IMPORTANT SAFETY INSTRUCTIONS"** to reduce the risk of personal injury. Follow all local building codes when installing the hood.

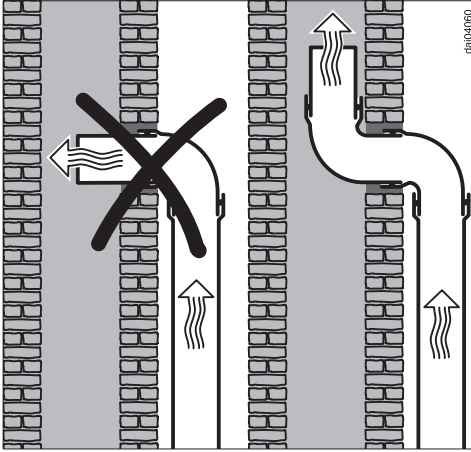
### Exhaust ducting and connections

Use smooth or flexible pipework made from approved non-flammable materials for exhaust ducting.

To achieve the most efficient air extraction and quietest noise levels, consider the following:

- The diameter of the ductwork should not be less than 6" (150 mm).
- If flat ducting is used, the cross section must not be smaller than the cross section of the ventilation exhaust.
- The ducting should be as short and straight as possible.
- Use ductwork with a wide radius.
- The exhaust duct must not be bent or compressed.
- Make sure all connections are secure.
- Where the ductwork is horizontal, it must slope away from the hood at least  $\frac{1}{8}$ " per foot (1 cm per meter) to prevent condensation dripping into the appliance.
- If the exhaust is ducted through an outside wall, a Telescopic Wall Vent can be used.

# Air extraction



- If the exhaust is ducted into an inactive flue, the air must be expelled parallel to the flow direction of the flue.

Never connect an exhaust hood to an active chimney, dryer vent, flue, or room venting ductwork. Seek professional advice before connecting an exhaust hood vent to an existing, inactive chimney or vent flue.

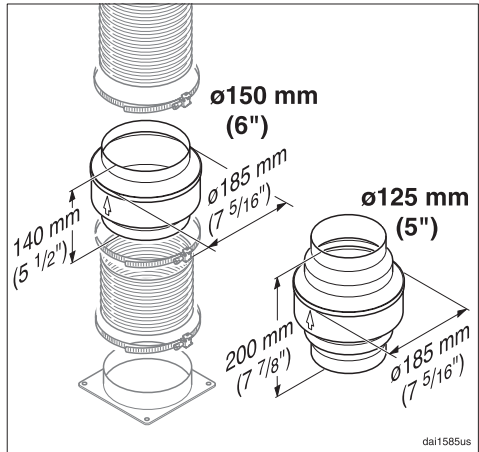
## Important

If the ductwork runs through rooms, ceilings, garages, etc. where temperature variations exist, it may need to be insulated to reduce condensation.

## Condensate trap

optional accessory

In some cases, a condensate trap may also be required to collect and evaporate any condensate which may occur. This optional accessory is available for ducts 5" (125 mm) and 6" (150 mm) in diameter.



- When installing a condensate trap, ensure that it is positioned vertically and if possible directly above the exhaust outlet.

**⚠ WARNING**  
**TO REDUCE THE RISK OF**  
**FIRE, ELECTRIC SHOCK, OR**  
**INJURY TO PERSONS,**  
**OBSERVE THE FOLLOWING:**

All electrical work should be performed by a qualified electrician in strict accordance with national regulations (for USA: ANSI-NFPA 70) and local safety regulations. Installation, repairs and other work by unqualified persons could be dangerous. Ensure that power to the appliance is off while installation or repair work is performed.

- Verify that the voltage, load and circuit rating information found on the data plate (located behind the grease filter), match the household electrical supply before installing the hood.
- Use only with ventilation hood cord-connection kits that have been investigated and found acceptable for use with this model hood.

If there is any question concerning the electrical connection of this appliance to your power supply, please consult a licensed electrician or call Miele's Technical Service Department.

**⚠ WARNING:**  
**THIS APPLIANCE MUST BE**  
**GROUNDED**

## Grounding Instructions

This appliance must be grounded. In the event of an electrical short circuit, grounding reduces the risk of electric shock by providing a path of least resistance. This appliance is equipped with a cord having a grounding wire with a grounding plug. The plug must be plugged into an outlet that is properly installed and grounded.

**WARNING** - Improper grounding can result in a risk of electric shock.

If there is any doubt, have the electrical system of the house checked by a qualified electrician.

Do not use an extension cord. If the power supply cord is too short, have a qualified electrician install an outlet near the appliance.

## Important

The hood comes equipped with a 5 ft. (1.5 m) power cord with a NEMA 5-15 molded plug for connection to a 120 VAC, 60 Hz, 15 A power outlet.

## Technical data

---

Maximum load . . . . .	430 W
Fan . . . . .	350 W
Overhead lighting . . . . .	4 x 20 W
Voltage . . . . .	120 V
Frequency . . . . .	60 Hz
Circuit rating . . . . .	15 A
Weight . . . . .	61.5 lb (27.9 kg)







**Please have the model and serial number  
of your appliance available before  
contacting Technical Service.**

---



## **U.S.A. Miele, Inc.**

### **National Headquarters**

9 Independence Way  
Princeton, NJ 08540  
Phone: 800-843-7231  
609-419-9898  
Fax: 609-419-4298  
[www.mieleusa.com](http://www.mieleusa.com)

### **Technical Service & Support Nationwide**

Phone: 800-999-1360  
Fax: 888-586-8056

[TechnicalService@mieleusa.com](mailto:TechnicalService@mieleusa.com)

## **Canada Miele Limited**

### **Headquarters and Showroom**

161 Four Valley Drive  
Vaughan, ON L4K 4V8  
Phone: 800-643-5381  
905-660-9936  
Fax: 905-532-2290  
[www.miele.ca](http://www.miele.ca)  
[professional@miele.ca](mailto:professional@miele.ca)  
(commercial enquiries)

### **MieleCare National Service**

Phone: 800-565-6435  
905-532-2272  
Fax: 905-532-2292  
[customercare@miele.ca](mailto:customercare@miele.ca)  
(general and technical enquiries)

## **Germany**

Miele & Cie. KG  
Carl-Miele-Straße 29  
33332 Gütersloh

